

Luna Close Coupled Cleanflush Pan

PLUMBERS' INSTALLATION INSTRUCTIONS

PLEASE READ CAREFULLY BEFORE INSTALLATION

Note: The 'S' trap pan is supplied with the Caroma performance approved variable offset pan connector. Code No: 416002. Set-outs can be achieved with the pan remaining on the centre line of floor outlet.

ROUGHING IN:

The Luna 'S' trap pan installation is detailed in **Fig. 1** and 'P' trap pan in **Fig. 2**. The recommended set-out for 'S' trap installations is 140mm from the finished wall. The 50mm offset connector (supplied) is available to achieve a set out of 140mm, where the soil pipe is between 90mm min. and 190mm max. from the finished wall. The connector also allows for sideways positional movement, as detailed in **Fig. 1**.

For Back entry connection it is important that the cold water connection (1/2" BSP connector nipple) be accurately position in the wall as detailed in **Fig. 5**.

PAN FIXING PROCEDURE

Pan bedding:

- 1- Remove an area of tiles which are within the internal area covered by the foot of the pan to expose the sub floor and provide a bondage key for the bedding mixture.
- 2- Ensure that the bedding area is clean and free of building material.
- 3- Prepare bedding sand cement mixture 3:1 to depth of 60mm as detailed in **Fig.1**.
Note: Do not fill the foot of the pan with bedding mix or include lime or fast drying cement into the mix, these may cause cracking in the foot of the pan.
- 4- Position pan and connect with pan connector and level pan into bedding mixture, so that the back of the foot of the pan is approximately 10mm above the finished floor. It is recommended that wedges are used to support the foot of the pan during the positioning, as detailed in **Fig. 3**.
- 5- Adjust pan position if necessary. Allow bedding mixture to set for at least 24 hours prior to use.

Screw fixing:

- 1- Position pan onto pan connector and locate the cistern onto the pan, checking that the cistern aligns with the finished wall. Adjust pan position if necessary and mark location of pan fixing holes on the floor. Remove the cistern and pan.
- 2- Drill two holes in the marked positions on the floor. The hole diameter is dependent on the type of fixing system and floor finish.

IMPORTANT-DO NOT USE THE PAN SCREW HOLES AS A GUIDE FOR DRILLING AS THIS MAY CRACK THE PAN.

- 3- Ensure that the area around the floor is clean and free from building material.
- 4- Run a bead of acetic cured silicone sealant at a height of 8mm approximately fully around the foot of the pan which contacts the floor. Use Wedges around the foot base (if required) so that the **maximum height of silicone sealant is not greater than 5mm on completion on bedding**, as detailed in **Fig. 4**.
- 5- Reposition pan to pan connector and fix to the floor with suitable corrosion resistant screws. The silicone sealant will bed the pan to the floor. Remove any excess sealant.
- 6- Allow bedding mixture to set for at least 24 hours prior to use.

Installation must be in accordance with AS/NZS 3500.1 and AS/NZS 3500.2



IMPORTANT

TO ACHIEVE A SATISFACTORY 4.5/3L FLUSH PERFORMANCE AND A 4 STAR WATER EFFICIENCY RATING THE PAN MUST BE MATCHED WITH A COMPATIBLE CAROMA SMARTFLUSH 4.5/3L CISTERN.

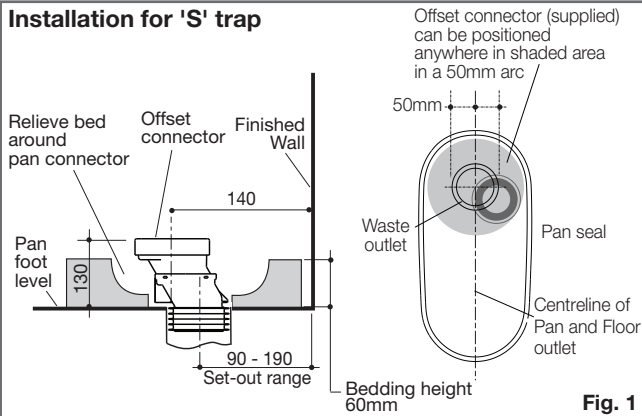


Fig. 1

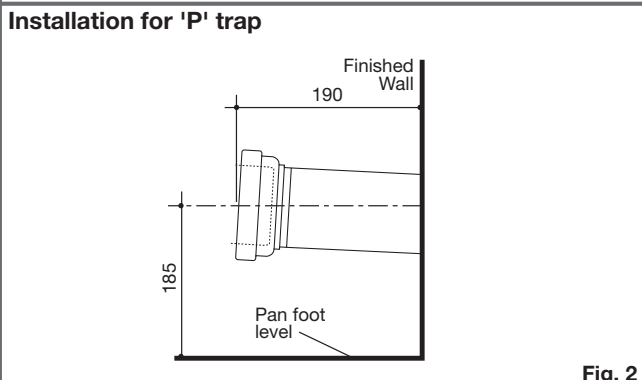


Fig. 2

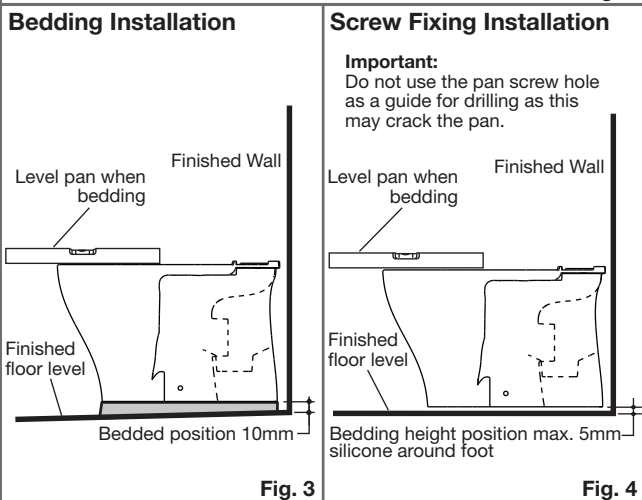


Fig. 3

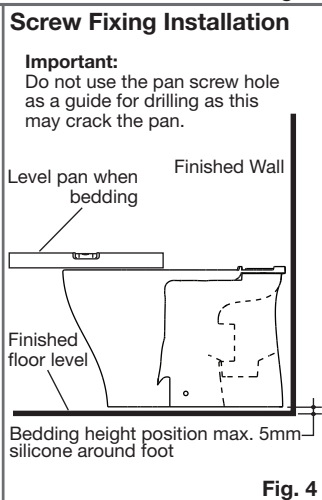


Fig. 4

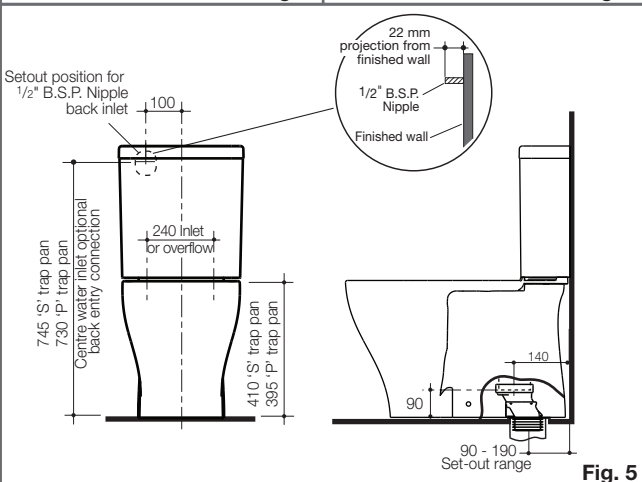


Fig. 5

All measurements are subject to accepted manufacturing tolerances. To ensure accuracy please check actual product dimensions before drilling for installation. The manufacturer reserves the right to change specifications at any time without giving prior notification. This product should be installed by a qualified plumber. Local authority, Water Board, and Building Regulations may apply to the installation of this product, and you should consult the appropriate bodies on these requirements.