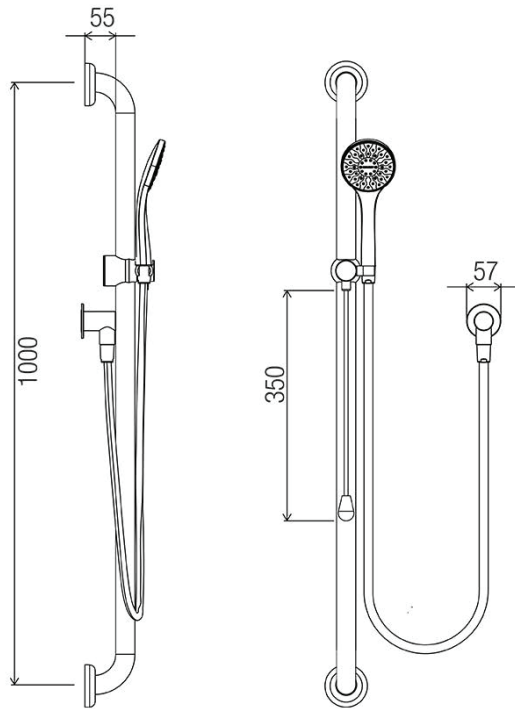


**CLAM® FLANGE ACCESSIBLE KIT 3 - 2m SHOWER HOSE**



IC 01803 C2  
Chrome



IC 01803 CC2  
Commercial Chrome

**Features**

- 1000mm grab rail
- 78mm pre-formed domed Clam® Flange
- Friction Slide handset cradle
- Push-PullMe® shower height adjustment rod
- Hoscare® handpiece with Biomaster antimicrobial additive
- Chrome plated DR brass wall outlet elbow
- Flow Interchange® spigot
- Licenced dual check/non-return as per
- WaterMark AS/NZS 2845.1 WMKA 02696
- 57mm solid brass round flat flange
- Silverflex® PVC shower hose
- WaterMark AS/NZS 3662 WMKT 21147
- Available in 3 Star 9L/min and 4 Star 6.5L/min as per
- WELS licence number 0046
- Complies with section 12.5.6 (e) of AS 1428.1:2021: (e) allow access and adjustment from a seated position
- Meets the requirements of AS 1428.1:2021 Design for access and mobility



WELS Registration  
No.S17318



AS 3662  
WMKT 21147



AS/NZS 2845.1  
WMKA 02696



CON-SERV CORPORATION AUSTRALIA PTY. LTD.

17 Glentanna Street, Kedron Qld 4031 Australia

Phone: +61 (0)7 3630 5744–Fax: +61 (0)7 3630 5755–Email: mail@con-serv.com.au–www.con-serv.com.au