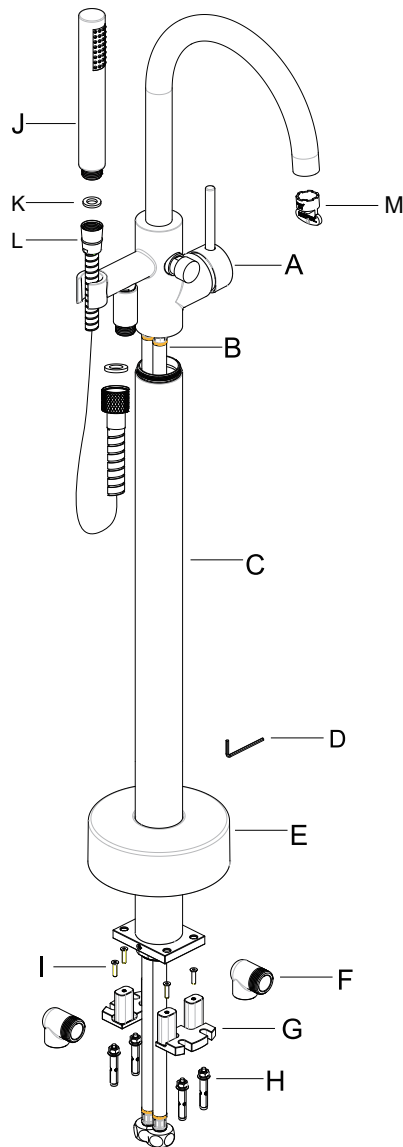


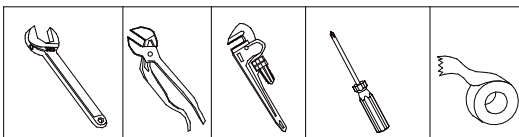
Installation Instruction

1. Parts Supplied

Ref.	Description	Qty	Ref.	Description	Qty
A	Mixer	1	H	Expansion Bolt	4
B	Flexible hose	2	I	Screw	4
C	Standpipe	1	J	Shower	1
D	Hex key	1	K	Seal washer	2
E	Cover plate	1	L	Shower hose	1
F	Elbow	2	M	Aerator key	1
G	Mounting Seat	2			



2. Tools Required (not supplied)



3. Before You Start

- Check the pack and make sure you have all of the parts listed above. If not, contact your place of purchase, who will be able to help you.
- When you are ready to start, make sure that you have the right tools to hand, plenty of space and a clean, dry area for assembly.

Caution: Care should be taken when drilling to avoid any sunken pipes or wires

4. Working Specifications

Maximum: Temperature - 80°C

Pressure - 500kpa

Where normal working pressures exceed the maximum stated above, pressure limiting valve should be installed as excessive pressure may damage the tap and void warranty.

Minimum: Temperature - 1°C

Pressure - 150kpa

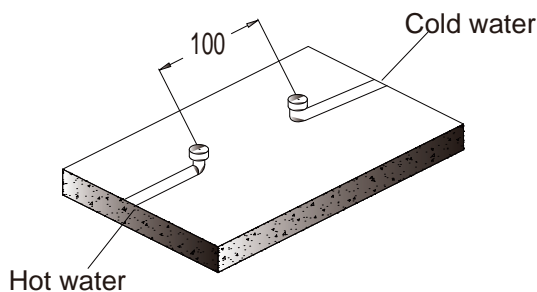
Recommended operating pressure: 150 to 500kpa.

NOTE: This mixer must be installed with isolating stop taps in accordance with local authority installation codes. All Abey mixers must be installed by a licensed plumber, failure to do so may void warranty.

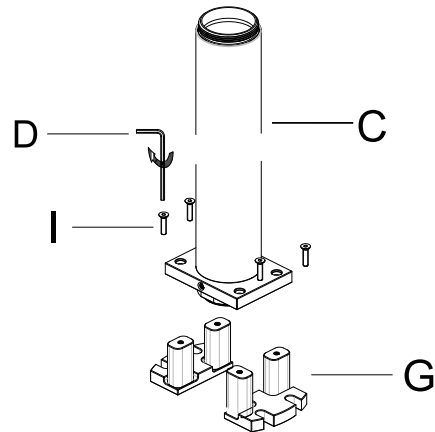
All Abey tapware must be installed in accordance with AS/NZS 3500 series.

5. Installation steps

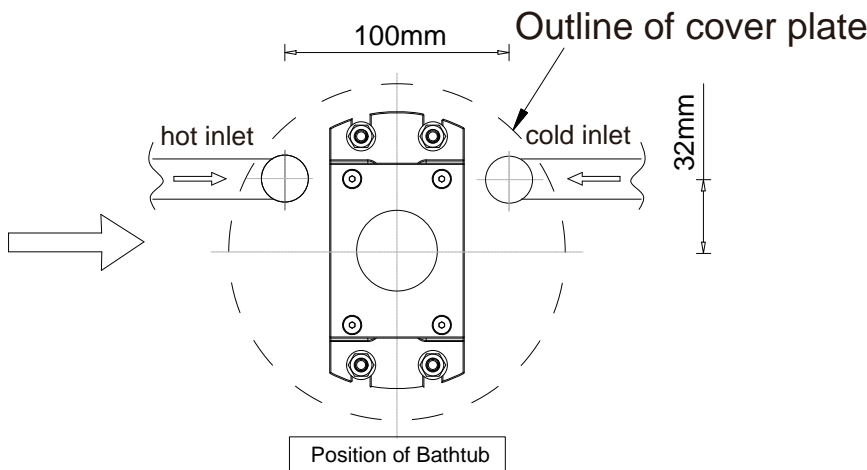
A. Pre-embed waterway and mark the position



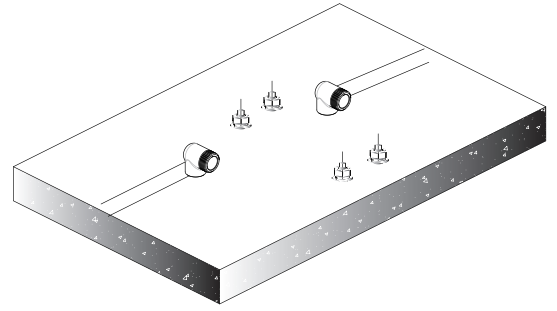
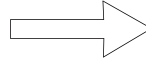
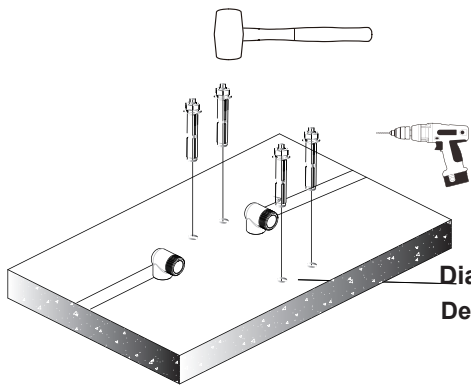
1. Determine the position of floor mounted bath mixer, spout should be in the range of bathtub. Pre-embed the waterway (refer to above diagram).



2. Using screws to fasten standpipe C and mounting seat G.



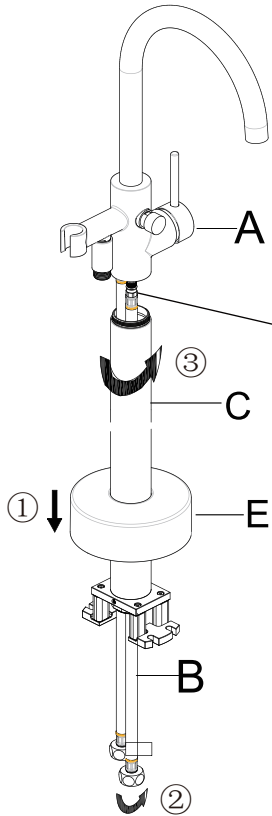
3. Place the mounting seat in the middle of the two water inlets, mark the holes of bolts.



Note: Bolts need above the ground 20mm.

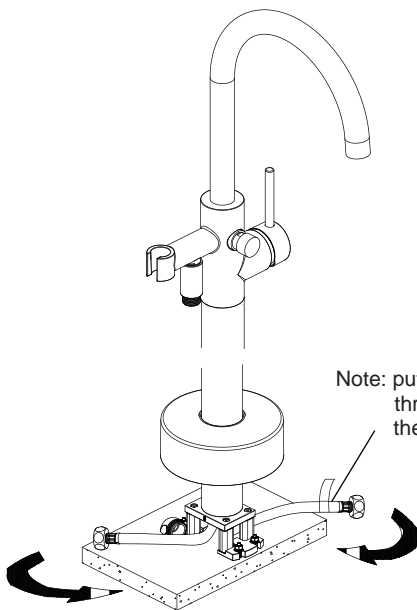
4. Drill - knock in expansion bolt - pre-tight - remove nut and washer

B. Assembly standpipe

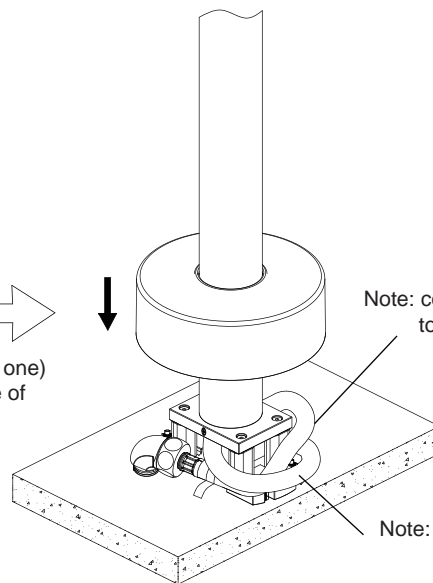
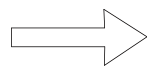


1. Fit the cover plate E to the standpipe.
 2. From underneath the mounting seat, feed the flexible hoses B through the standpipe. Fit the flexible hoses to the mixer A, then tighten.
 3. Assembly the mixer A and standpipe C.
- Remarks: screw hose (with red label one) into the thread hole in the front to ensure when open mixer and turn the handle forward for hot water, backward for cold water.

C. Fixation and water way connection



Note: put flexible hose (with red label one) through out the right hand side of the mounting seat



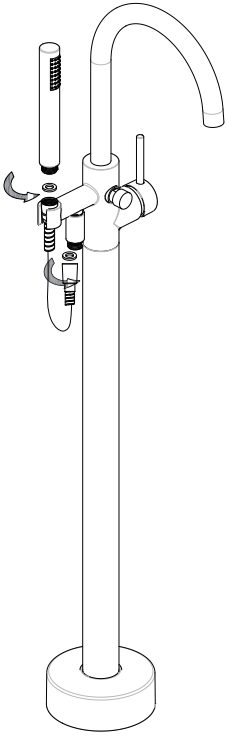
Note: connect flexible hose (with red label one) to the left water supply - hot water

Note: connect another flexible hose to the right water supply - cold water

1. Fix the mounting seat then tighten bolts firmly by using a spanner.

2. Connect the water supply - push down cover plate over the mounting seat gently.

D. Assembly hand shower



6. Checking after Installation

Turn on the water supply and check all the connections to ensure there are no leaks.

7. Instructions

- a. Handle turns forward for hot water, backward for cold water, and in the middle position is mixed water. Pull out diverter to operate shower, push in diverter to operate spout.
- b. Please do not touch the spout to avoid scalding when using hot water.

8. Care and Maintenance

The materials and workmanship of this Tapware is of high quality and in order to maintain its appearance it is important not to wipe with abrasive cleaners. Cleaning of this product should only be done with warm soapy water on a regular basis.