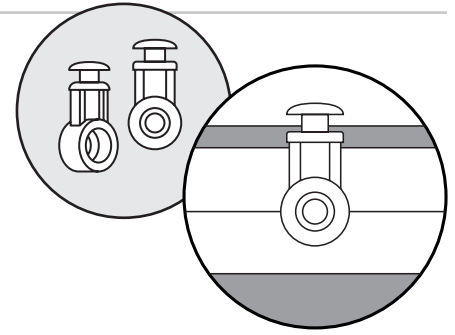


Installation Instructions: Ripplefold™ Drapery Panels

Before You Begin

Please take the time to review this guide. It will give you a few suggestions that will make installing your Ripplefold drapery panels a simple process. Keep this guide with the product for future reference.

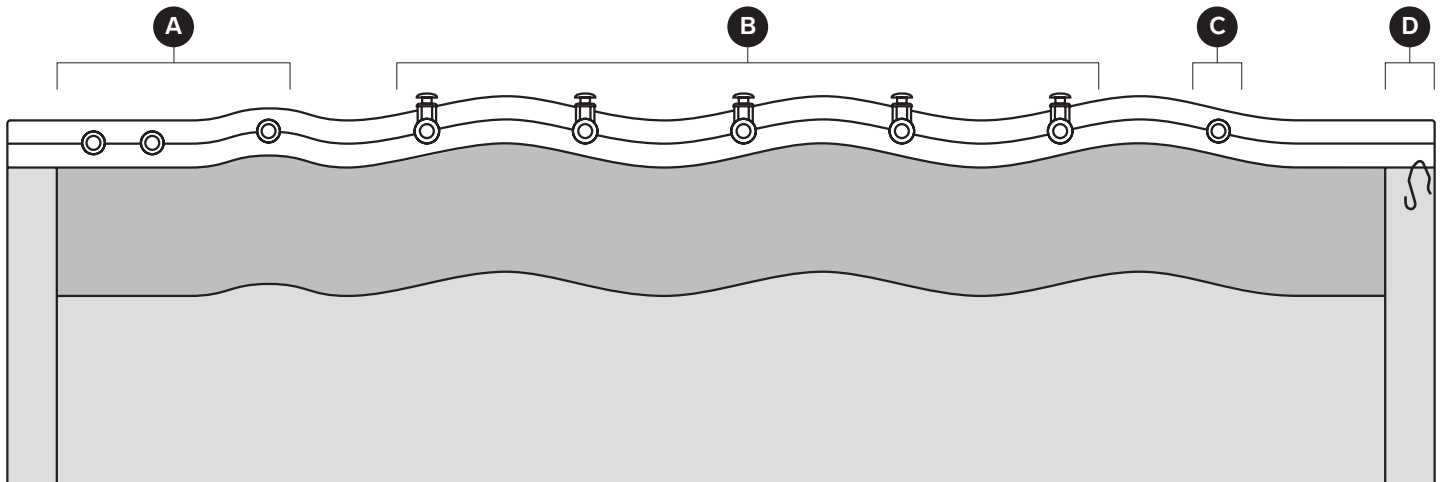
Attach the enclosed carrier pendants to each drapery panel by snapping them into place as shown in the illustrations below. The panels will be labeled left or right and will be configured as follows:



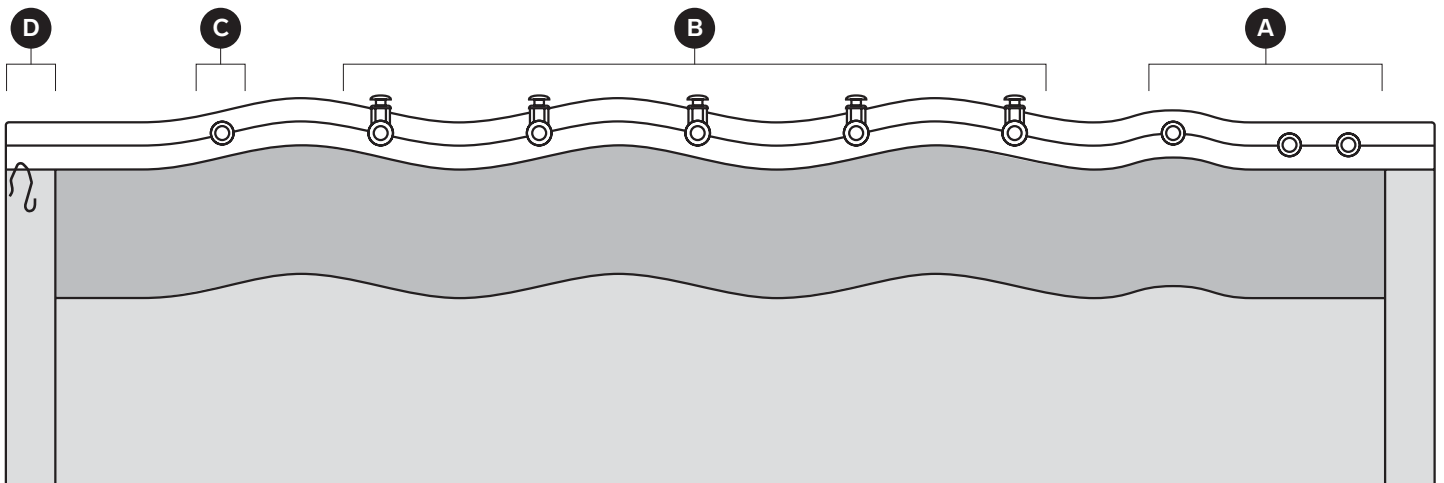
**Carrier Pendants
Before and After Installation
onto Drapery Panel Snaps**

- A. Three empty snaps attach to master carriers on leading edge
- B. Carrier pendants installed on snaps
- C. Single empty snap for end cap. Please note that for returns greater than 4" there will be an extra unused snap on this end of the drapery panel.
- D. Drapery hook for return back to wall

Back of Left Panel



Back of Right Panel

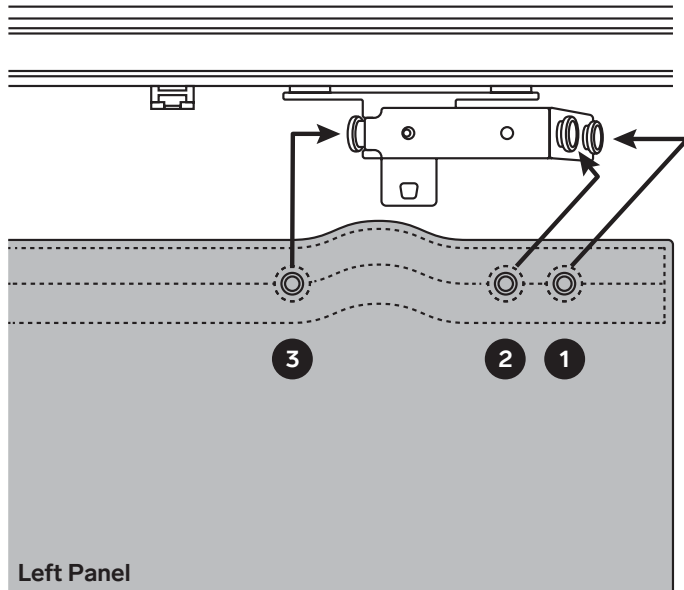


Step 1: Attach to Master Carriers

Begin by snapping the first two buttons on the leading edge to the master carrier.

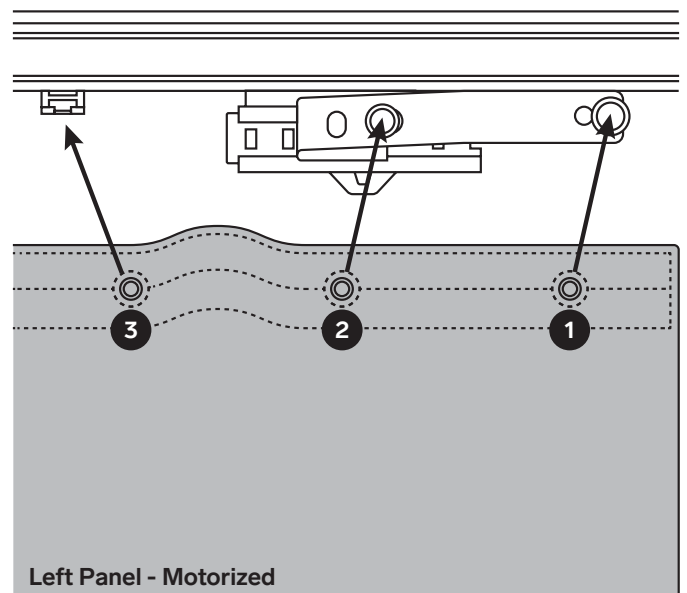
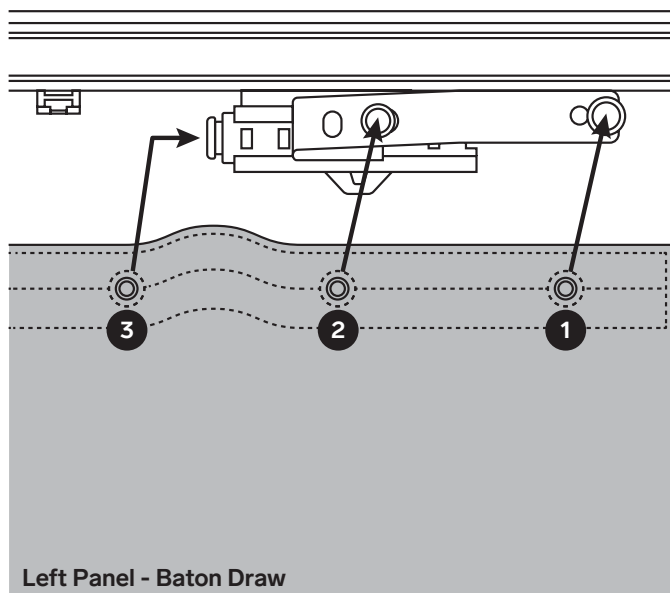
Butt Master Carriers

This carrier style is used for most draperies. The snap setup is the same for baton draw and motorized draperies. Snap the third snap into the snap on the side of the butt master carrier.



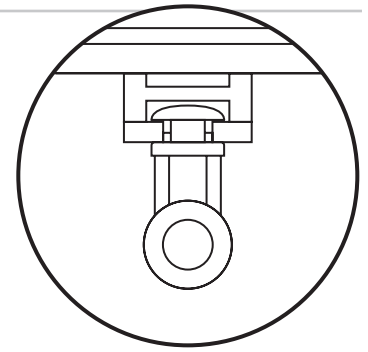
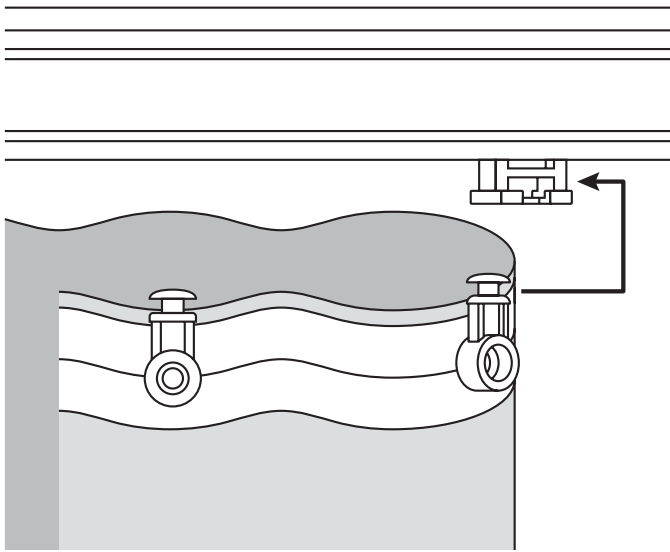
Overlap Master Carriers

This carrier style is used when overlapping drapery in the center is desired. For baton draw panels, snap the third drapery snap into the plastic hole on the side of the master carrier. For motorized panels, snap the third drapery snap into the first carrier.



Step 2: Attach Pendants to Carriers

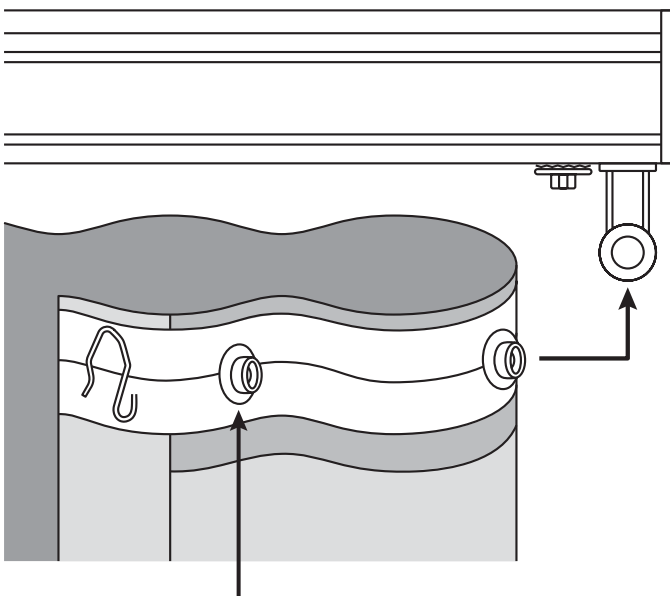
Insert the remaining pre-snapped pendants into the carriers. You should hear them click into place.



Pendant Clicked into Carrier

Step 3: Snap to End Cap

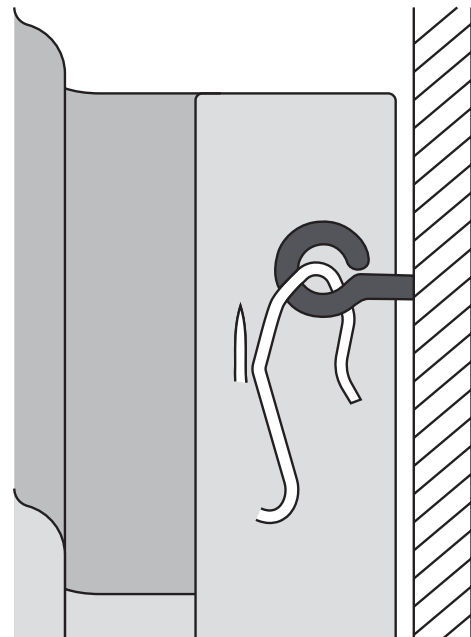
Install the last snap onto the stationary carrier in the end cap. Remember, if the drapery return is greater than 4" there will be an unused extra snap at this end of the drapery panel.



Unused Extra Snap for Returns Greater Than 4"

Step 4: Connect Drapery Return to Wall

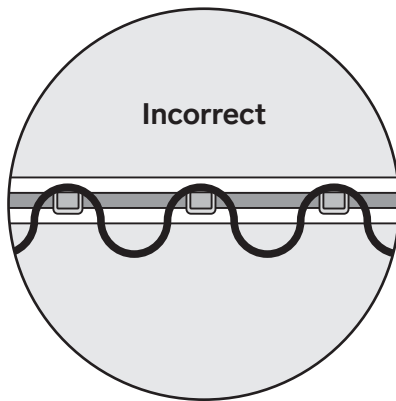
To create a return, affix the screw eye hook to the wall and attach the pre-installed drapery hook to the screw eye hook. This will return the drapery panel to the wall, minimizing any sidelight view. The drapery pin can be adjusted to the desired return height.



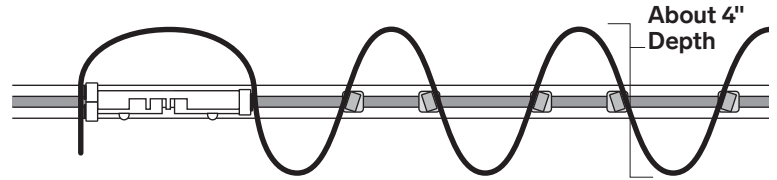
Step 5: Dressing the Folds

Once all of the pendants are installed, dress the fabric into S-folds by alternating pushing the fabric toward the wall and pulling it out toward the room.

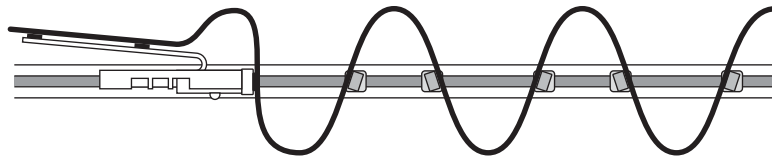
For each drapery panel, start from the main carrier by pushing the fabric toward the wall and work toward the other end. Each set of two pendants should face each other, and each "S" should take up about 4".



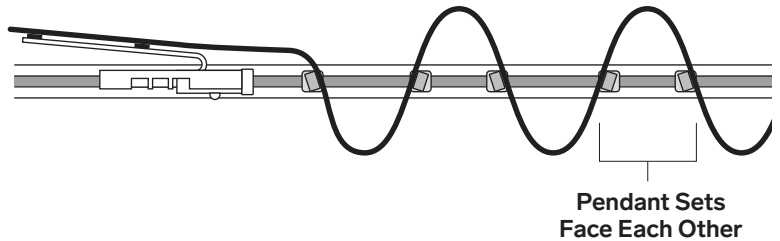
Butt Master Carrier



Overlap Master Carrier - Baton Draw



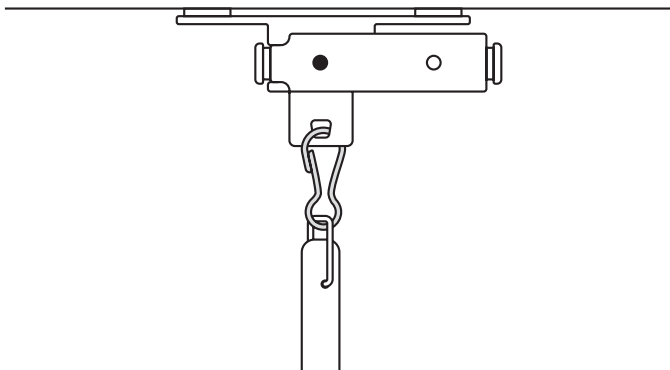
Overlap Master Carrier - Motorized



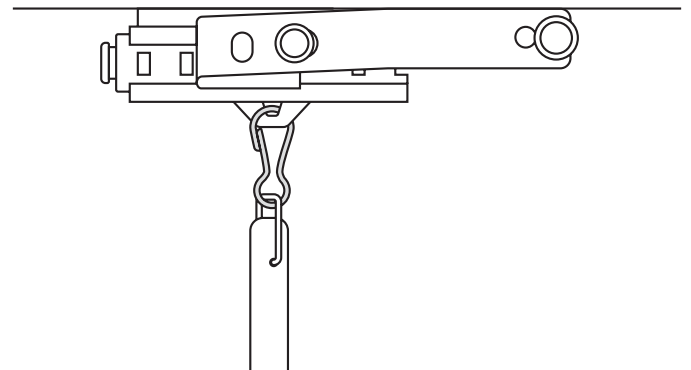
Step 6: Attach Wand(s) for Baton Draw

For baton draw draperies, attach the wand to the master carrier. Simply fit the wand's metal hook through the slot below the snaps on the carrier.

Butt Master Carriers



Overlap Master Carriers



Thank you!

Thank you for purchasing this Ripplefold Drapery! We hope you love your new product as much as we loved making it for you.