

Red Dragon Turn Table Hitch

Mounting and Operating Instructions For Model TF-300 Frame Mount Unit

The Red Dragon Turn Table hitch is bolted directly to the frame of pickup trucks and similar sized vehicles. All necessary hardware for installing the Red Dragon Flex-Tow Hitch is packaged and included in the carton. The hardware package includes the following:

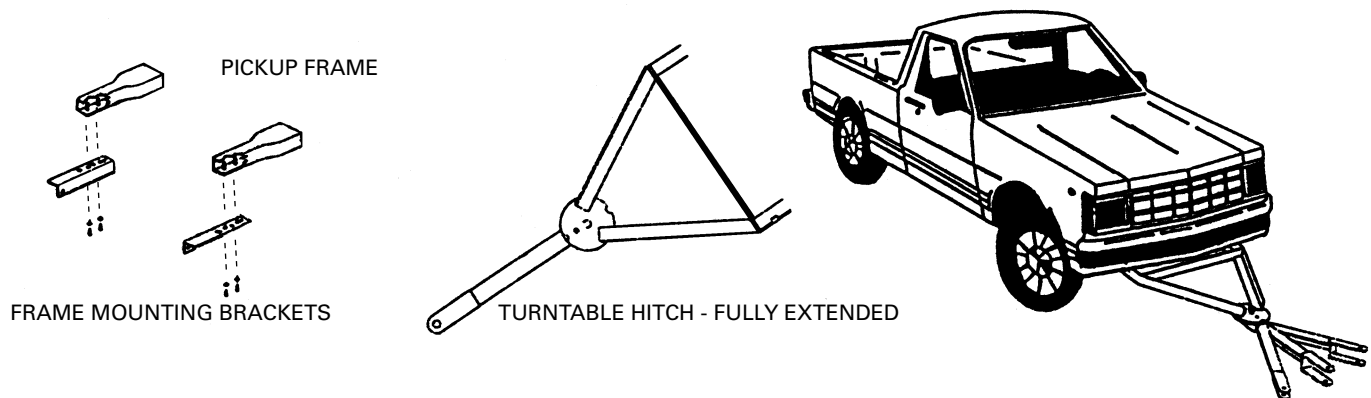
- 4 - 7/16" x 1 1/2" Bolts, Nuts & Lock-Washers
- 1 - 1" Hitch Pin
- 2 - 5/8" x 1 1/2" Bolts and Lock Nuts
- 8 - 7/16" Flat Washers

Mounting Instructions:

1. Clamp or block the frame mounting brackets under the frame of vehicle. Drill four 29/64" holes in frame using the predrilled holes in the frame mounting assembly as guides. Secure frame mounting assembly to frame using four 7/16" x 1 1/2" bolts, lock washers and nuts provided (flat washers if needed).

IMPORTANT NOTE: The frame mounting assembly should be mounted far enough forward to allow the assembled hitch to be raised to a vertical position when installation is complete. If the bumper of the vehicle extends below the frame, it may be necessary to use spacers between frame and the frame mounting assembly.

2. Mount Turn Table Hitch arms onto frame mounting brackets and secure with 5/8" x 1 1/2" bolts and self-locking nuts. (Caution - **DO NOT OVERTIGHTEN** self-locking nuts. Overtightening of the nuts may result in difficulty when operating the hitch.) Make sure hitch pin is facing upwards when hitch is extended.



Operating The Red Dragon Turn Table Hitch

To operate the hitch from the upright position, pull the spring-loaded pin located on the frame mounting bracket which allows the hitch arms to fold down to the horizontal position.

To allow the tongue of the hitch to pivot and extend, pull upward on the spring-loaded pin located on the turntable.

Attach the tongue clevis to the draw bar of the towing vehicle or implement.

Lock the hitch into place by slowly and carefully backing up the vehicle to be towed or by slowly pulling forward the towing vehicle.

Place the vehicle to be towed into neutral and check the hitch to make sure it is securely locked into place.

When finished towing, detach the tongue clevis and pull the spring-loaded pin located on the turntable to release the hitch and allow it to retract and pivot back into the storage position. Raise hitch arms to the vertical position, make sure the spring-loaded pin located on the frame mounting bracket is locked and secured.