

INFLATABLE PADDLEBOARDS

*INSTRUCTION
MANUAL*



CONTENTS

PAGE

Welcome	2
Inflation Process	3
Carbon Inflation Process	4
Voyage Inflation Process	5
Swift Pro Pump	6
Swift Maxi Pump	8
Pump Disassembly	10
Smart Lock Fin Attachment	11
US Box Fin Attachment	12
Paddle Assembly	13
Packing Away	14
Carbon Bag Strap Storage	15
NXT Bag Pack Away	16
Safety and Care	17
Troubleshooting	18
Break Down Cover	21

WELCOME **TO THE CLUB**

Hey,

Welcome to the Bluefin SUP community! We're glad to have you on board. Your journey with us doesn't end at the point of purchase.

As a member of our community, you're entitled to many benefits including lifetime support from our customer service team and an extended warranty on all our products. Remember to activate your warranty by scanning the QR code (see 'Breakdown cover') or by visiting our website.

We hope you enjoy your product and choose to explore the full Bluefin SUP range. To get the best of your product, we recommend that you read and refer back to the contents of this manual.

You can also find additional help and resources at www.bluefinsupboards.com.

The Bluefin SUP team



INFLATION PROCESS



WARNING: Please only use the pump provided, or a pump that is recommended for your SUP. DO NOT use an air compressor as you will risk overinflating the board and damaging it beyond repair. Your warranty will be void in the event of damage caused by over-inflation.

- Unpack and unroll your Bluefin SUP on a smooth, clean, flat surface.
- Connect the air tap on your pump to the inflation valve on your SUP. Firmly push the air tap inwards and twist clockwise to secure the connection. **Figure 1**
- Before you begin to pump, please consult the recommended PSI on the valve(s) of your SUP and inflate to the appropriate value. DO NOT over-inflate your SUP.
- The PSI may not register on your pump until you reach at least 7 PSI - keep pumping!
- Once the desired air pressure has been reached, please safely disconnect the air tap of your pump and secure the valve on your SUP.

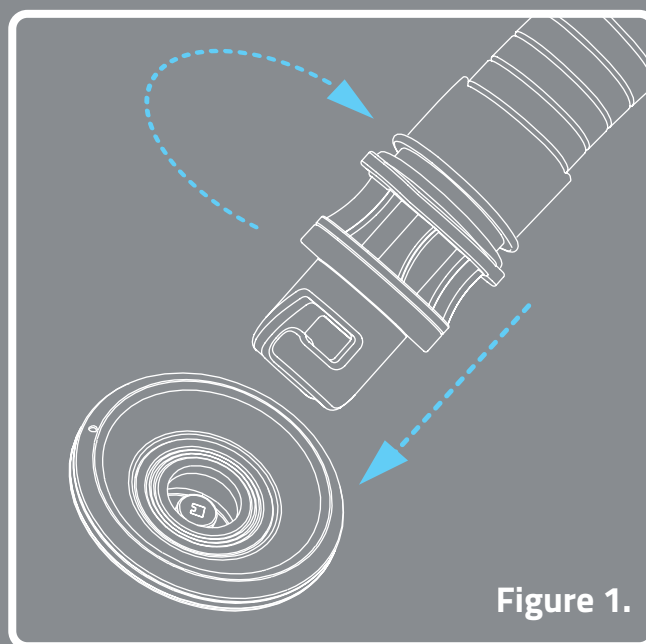


Figure 1.

CARBON

INFLATION PROCESS



WARNING: Please only use the pump provided or other recommended pumps. DO NOT use an air compressor as you will risk over-inflating the board and severely damaging your SUP beyond repair. Your warranty will be void in the event of damage via over-inflation.

- For the Carbon Boards with a dual chamber inflation setup, inflate the inner chamber first in the centre of the board. **Figure 2** Inflate to the recommended PSI. **Figure 3**
- Then inflate the outer chamber valve at the tail of the board **Figure 1** to the recommended PSI noted around the valve. **Figure 3**

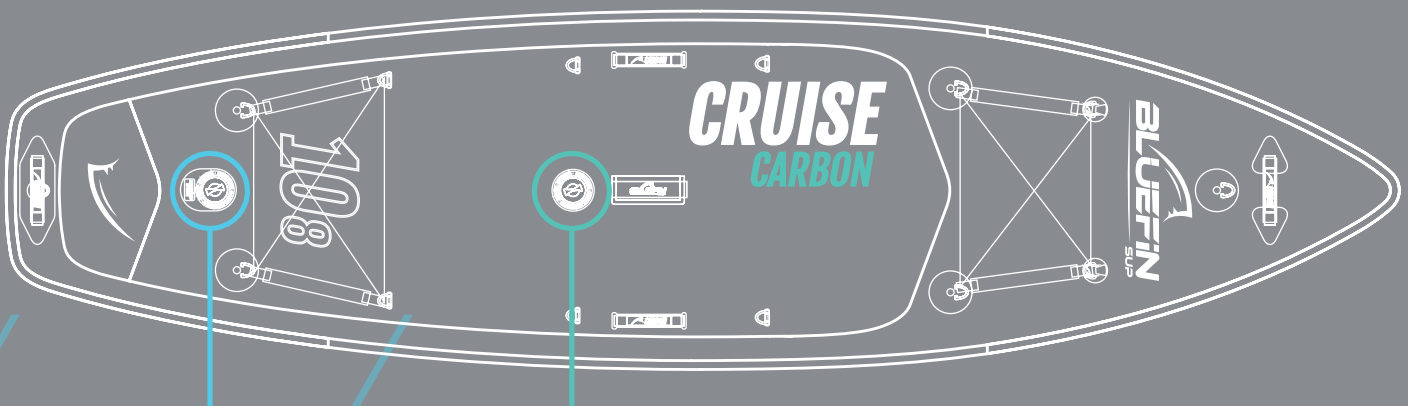


Figure 1.
(Inflate first)

Figure 2.
(Inflate Second)

Figure 3.



VOYAGE INFLATION PROCESS



WARNING: Please only use the pump provided or other recommended pumps. DO NOT use an air compressor as you will risk over-inflating the board and severely damaging your SUP beyond repair. Your warranty will be void in the event of damage via over-inflation.

- For Voyage with dual inflatable side rail chambers, inflate the inner chamber first **Figure 1** to the recommended PSI as noted around the valve. **Figure 3**
- Secondly inflate the two side rail chambers **Figure 2** to the recommended PSI noted around the valve.

Figure 4

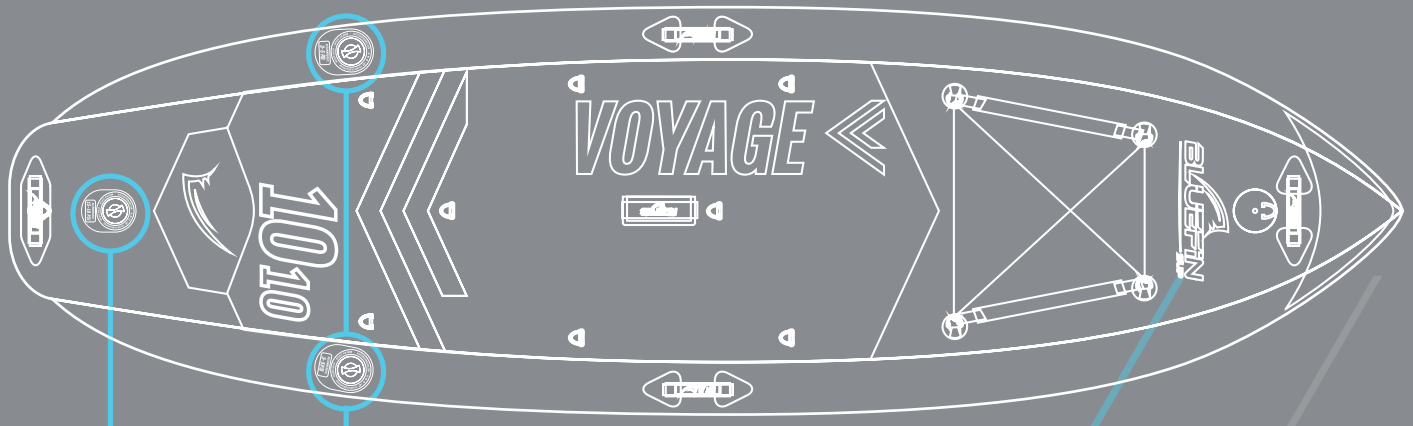


Figure 1.
(Inflate first)

Figure 2.
(Inflate Second)

Figure 3.

Figure 4.



SWIFT PRO

PUMP



PUMP TYPE: Your SUP will come with either a single chamber pump **Figure 1** or a dual chamber pump. **Figure 2** Please check your pump type and follow the instructions for inflation.

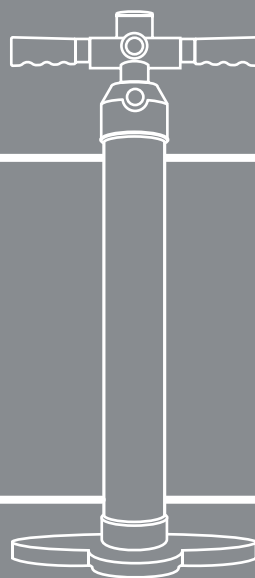


Figure 1.

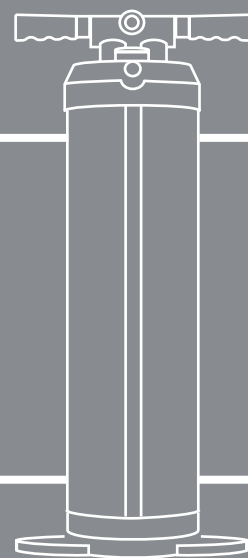


Figure 2.

Single Chamber Pump



- To use the pump for inflation, fix the hose by turning clockwise onto the pump air outlet labelled inflate **Figure 3** or to use the pump for deflation fix the hose by turning clockwise onto the pump air outlet labelled deflate. **Figure 4**

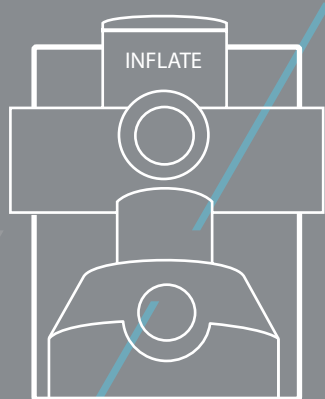


Figure 3.

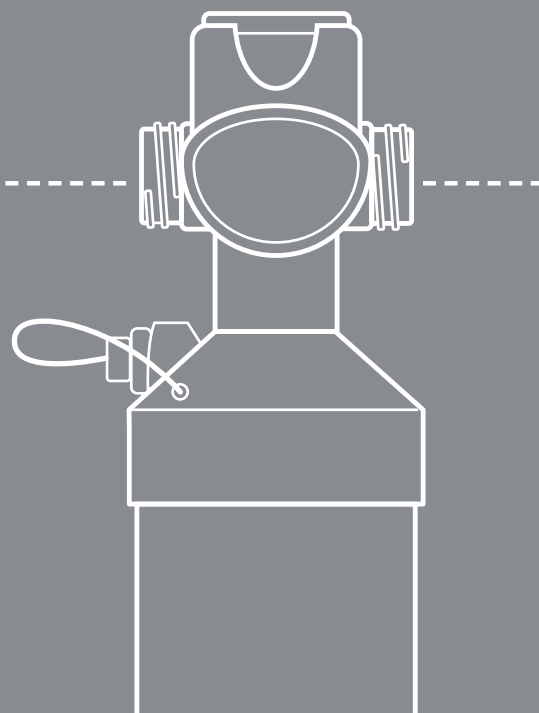
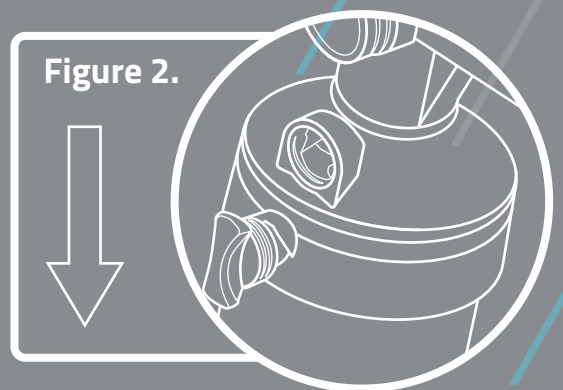
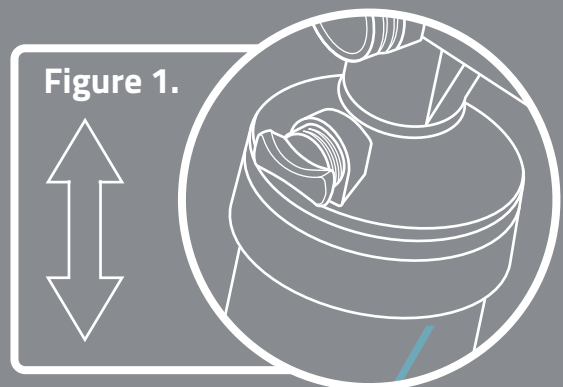
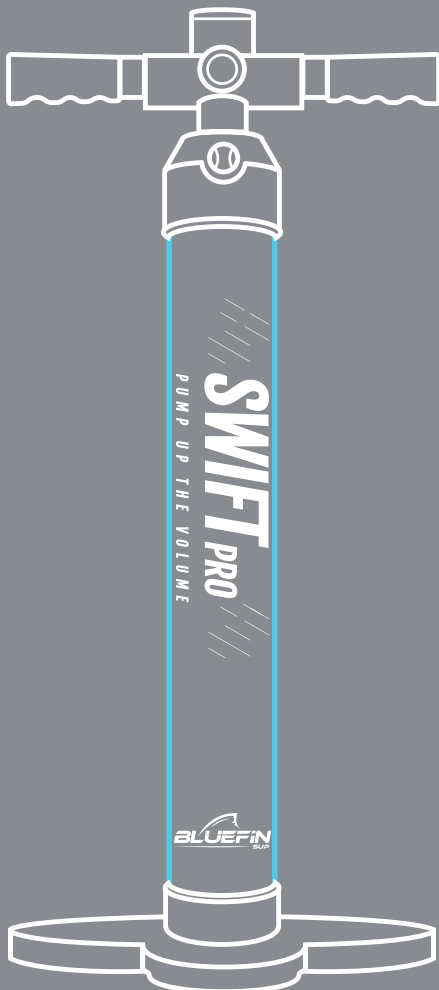


Figure 4.

SWIFT PRO PUMP

- To use the pump in dual action mode (the pump will inflate or deflate on both the upwards and downward pump stroke) make sure the action attachment is fixed into the inlet by twisting clockwise until tightened fully. **Figure 1 - Use this function when adding/removing large volumes of air quickly.**
- To use the pump in single action mode (the pump will only inflate or deflate on the downward pump stroke) remove the action attachment by twisting anti-clockwise until the inlet is open and free.

Figure 2 - Use this function when inflating at high pressure, at the latter end of the inflating process.

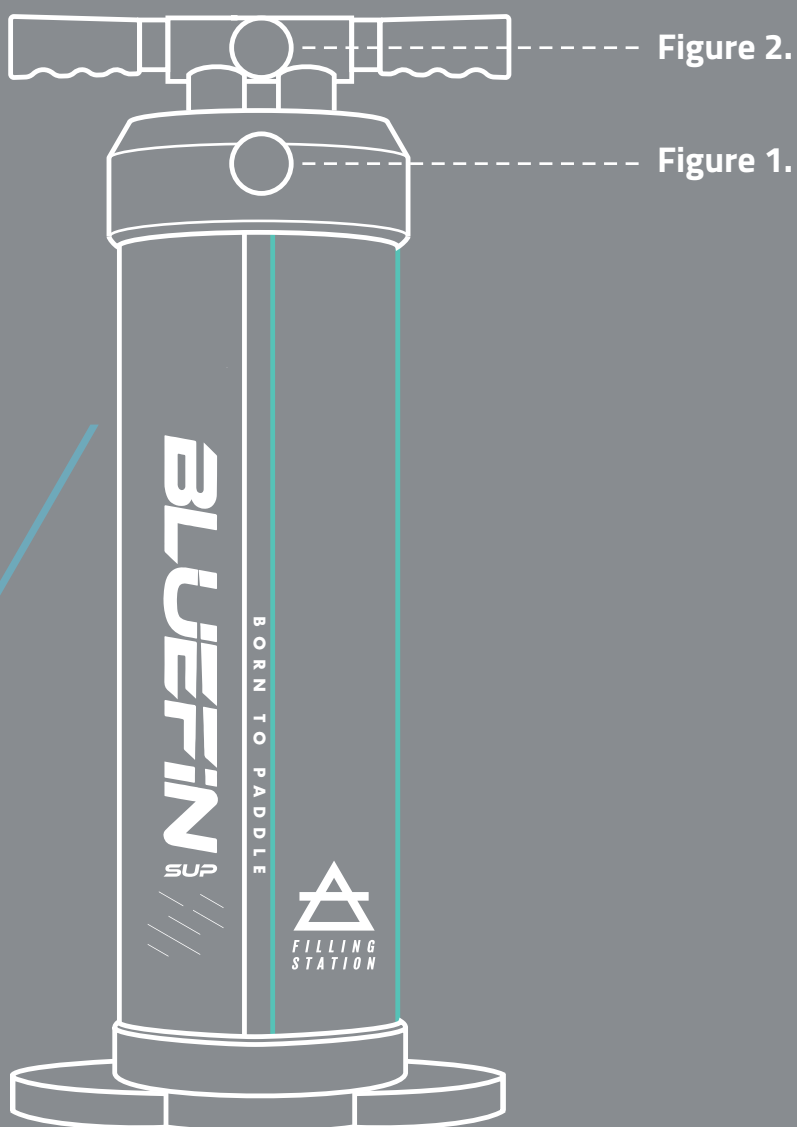


SWIFT MAXI PUMP

Double Chamber Pump

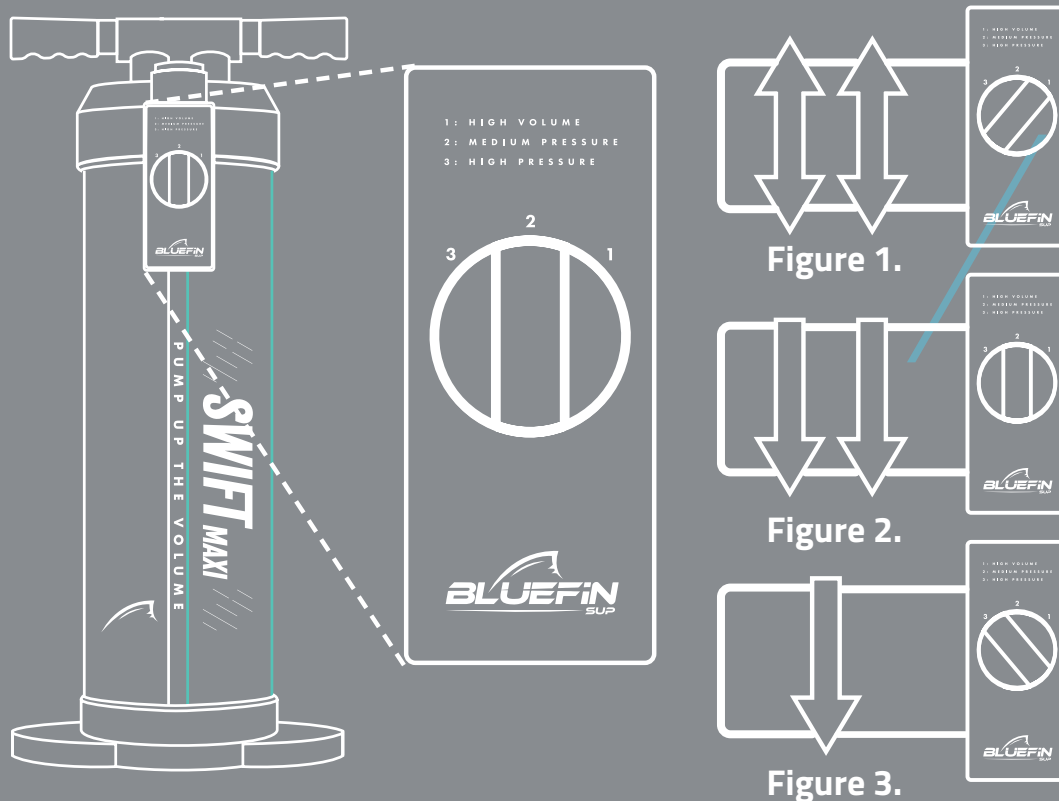


- To use the pump for inflation, fix the hose by turning clockwise onto the pump air outlet labelled "Inflate" **Figure 1** or to use the pump for deflation, fix the hose by turning clockwise onto the pump air outlet labelled "Deflate". **Figure 2**



SWIFT MAXI PUMP

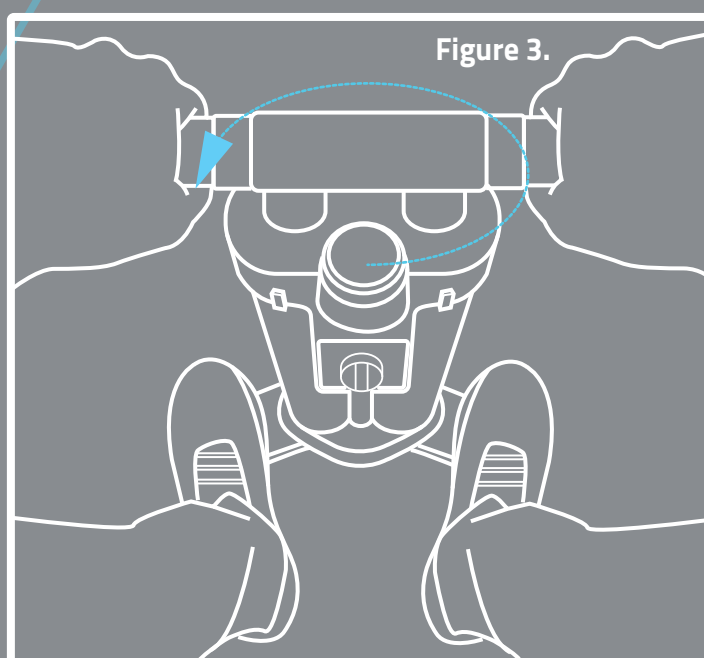
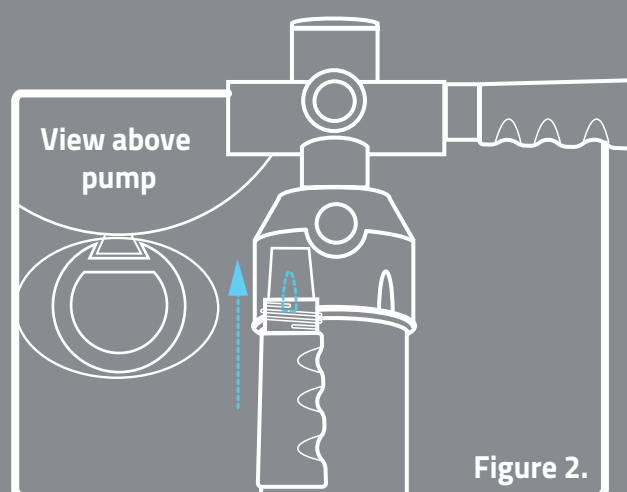
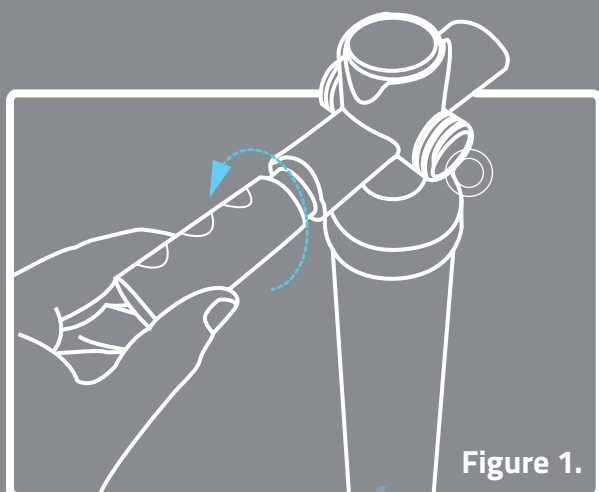
- To use the pump in **dual chamber, dual action** mode (the pump will inflate or deflate on both the upwards and downward pump stroke using both chambers) turn the dial on the front face of the pump, option 1. **Figure 1 - Use this function when adding/removing large volumes of air quickly.**
- To use the pump in **dual chamber, single action** mode (the pump will only inflate or deflate on the downward pump stroke using both chambers) turn the dial on the front face of the pump option 2. **Figure 2 Use this function when adding/removing large volumes of air quickly when more ease is required than dual chamber, dual action mode.**
- To use the pump in **single chamber, single action** mode (the pump will only inflate or deflate on the downward pump stroke using a single chamber) turn the dial on the front face of the pump option 3. **Figure 3 Use this function when adding/removing air at high pressure, at the latter end of the inflating process.**



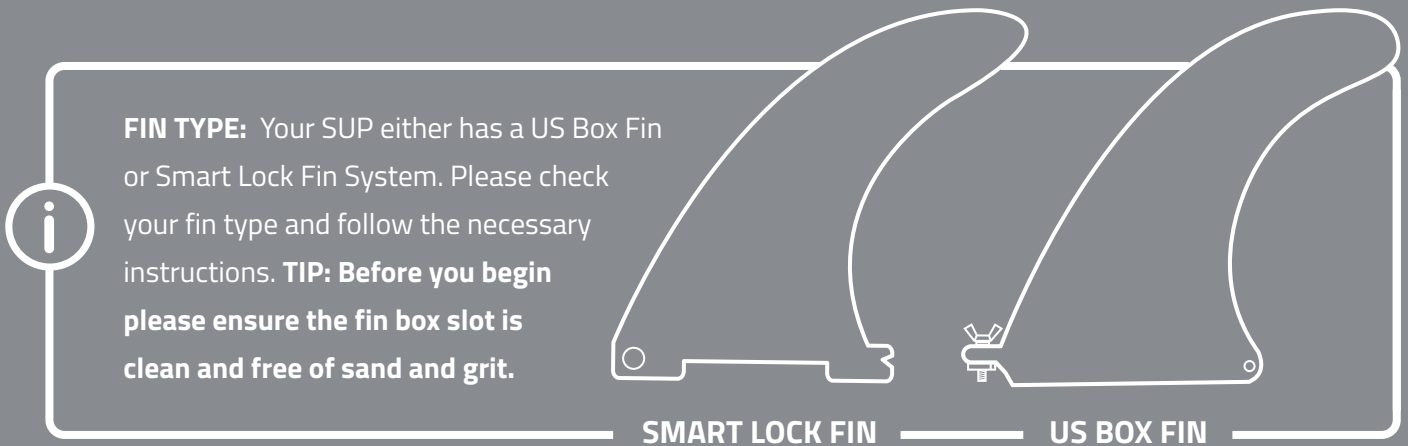
PUMP

DISASSEMBLY

- To make the pump more compact, remove the pump handles by rotating counterclockwise. **Figure 1** until fully detached and slide onto the two handle mounts. **Figure 2**
- To remove the footplate, stand on the base and twist the pump anti-clockwise using the handles. **Figure 3**



SMART LOCK FIN ATTACHMENT



Smart Lock Fin System

- Insert the fin into the fin box slot via the end gap. **Figure 1**
- Firmly push the other end of the fin down and lock into place by pushing the end clasp back down making sure you hear an audible click. **Figure 2**

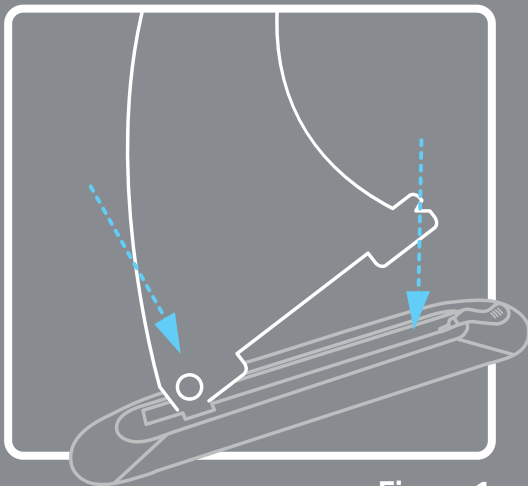


Figure 1.

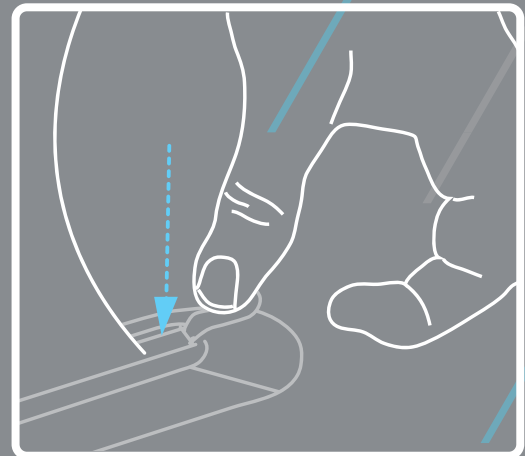
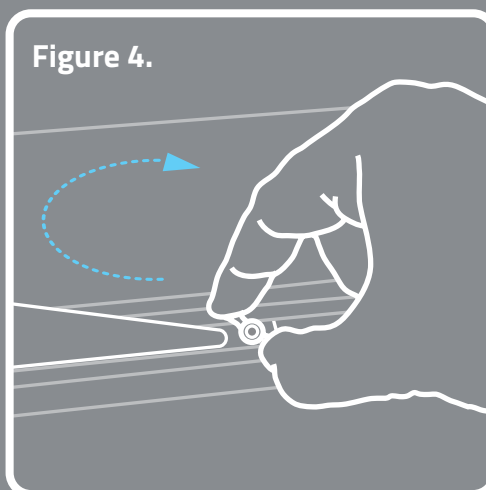
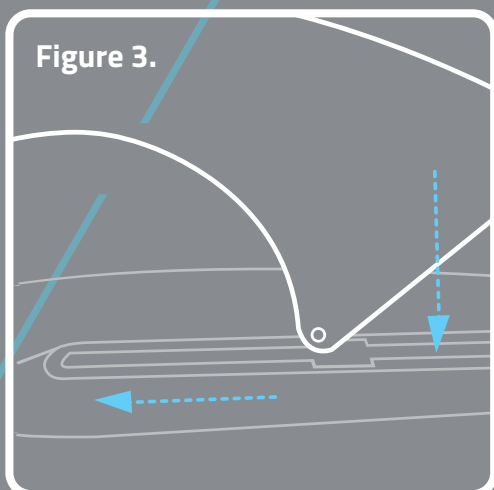
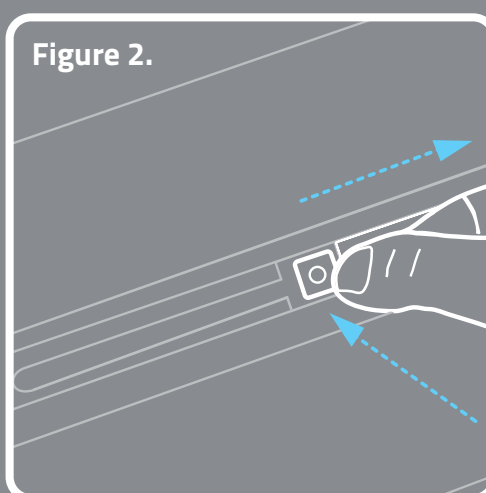
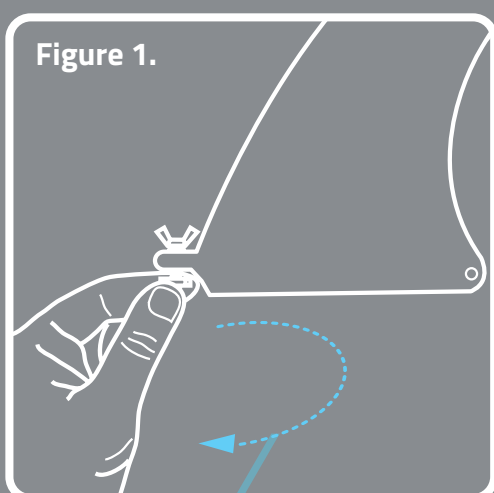


Figure 2.

US BOX FIN ATTACHMENT

US Box Fin System

- Unscrew the plate from the screw **Figure 1** and place into the fin slot via the gap **Figure 2**
TIP: Use the screw to slide the plate into place along the slot.
- Insert the fin into the fin box slot via the central gap, slide the fin to the back and firmly push down the other end. **Figure 3**
- Line up the screw with the screw plate and tighten until fully secure. **Figure 4**



PADDLE ASSEMBLY



SUP PADDLE: Your 3-Piece paddle easily connects together and is fully height adjustable. The ergonomic grip should be handled as illustrated. **Figure 1**
The Bluefin logo should be on the front of the paddle shaft when paddling. **Figure 2**

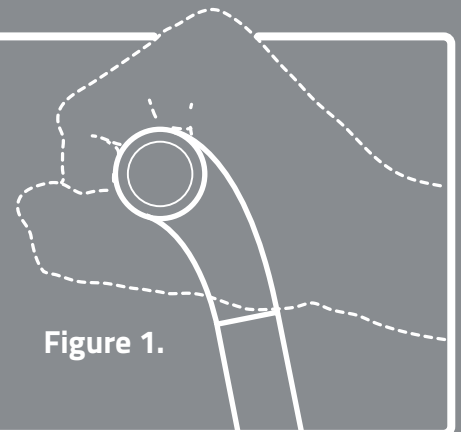


Figure 1.

Paddle Construction



- Use the paddle in the correct orientation with the Bluefin branding at the front of the paddle shaft. **Figure 2**
- The paddle length should be adjusted to approximately 6" above the user's head. **Figure 3**

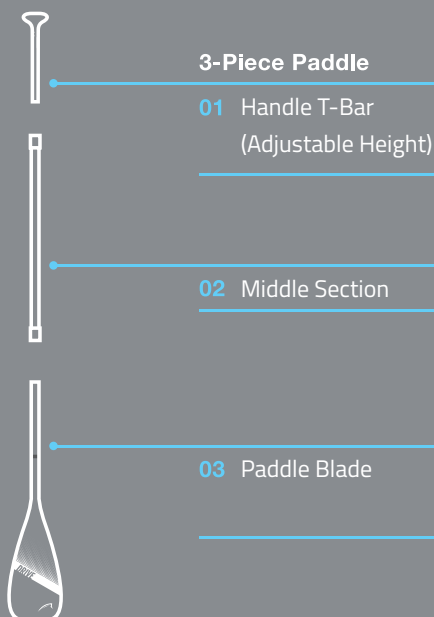


Figure 2.

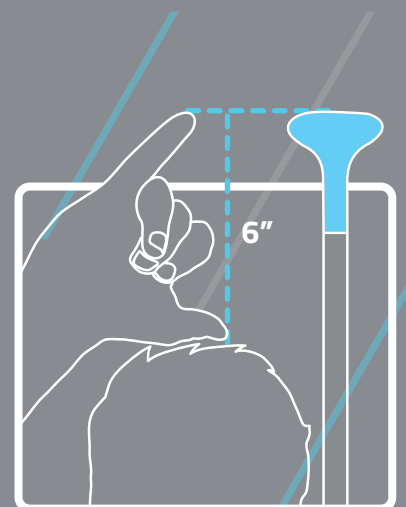
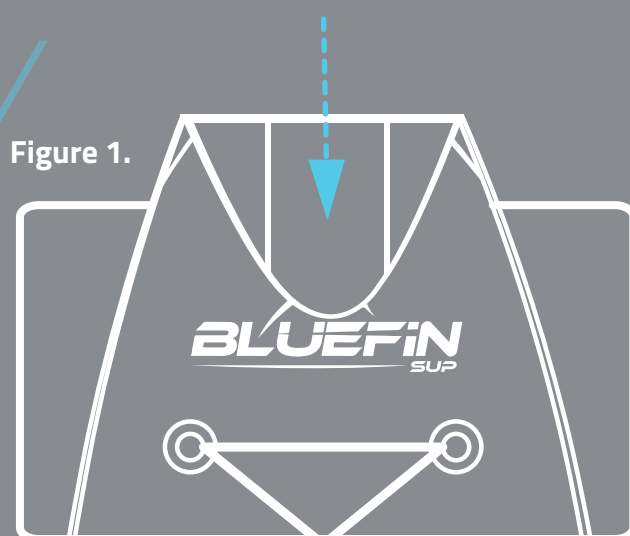


Figure 3.

PACKING AWAY

- Before deflating the board, please remove the large central fin and ensure it is clean and free of sand and debris. Hose down if necessary to prevent mildew build-up in storage. Do not use harsh chemicals for cleaning. Most dirt can be removed with mild soap and water.
- Deflate each valve on the SUP by first removing the valve cap. Next, you can release some pressure by slightly pushing on the push-pin. TIP: Don't face directly over the valve when releasing the initial blast of air.
- To fully deflate the board, please push firmly on the push-pin and twist the knob in any direction to lock into place. Your board will now rapidly deflate.
- To ensure full deflation, you can carefully kneel and crawl, or sit over parts of the board to force the remaining air out. Once fully deflated, please re-attach the valve caps.
- For compact storage your board should be as flat as possible. Once flattened, please roll and fold the board from the nose down. **Figure 1**
- Please pack and store the SUP in the backpack provided in a cool dry place and away from direct sunlight.

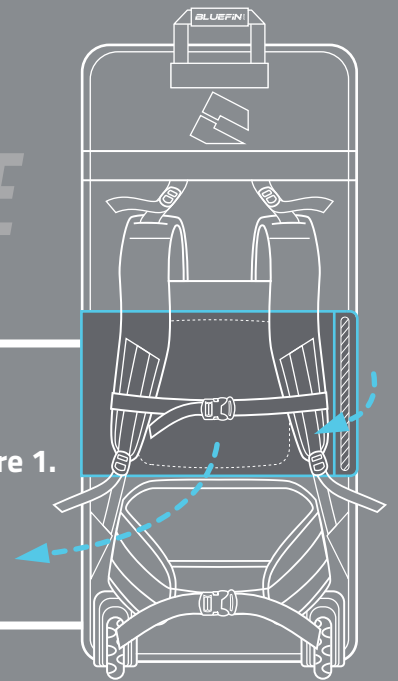


CARBON BAG STRAP STORAGE



CARBON BAG: The following feature is only available on Carbon model bags. It is to prevent the carry straps from dragging on the floor when wheeling the bag.

Figure 1.



- Lift the velcro tab and detach the central section of padding **Figure 1** to pull the strap cover out. **Figure 2**
- Unfold the strap cover to create a panel for the carry straps to be contained and fix using the velcro edging. **Figure 3**

Figure 3

- Press the velcro edging down to complete and refix the velcro tab. **Figure 4**
- To fold away the strap cover and use the carry straps, reverse the steps.

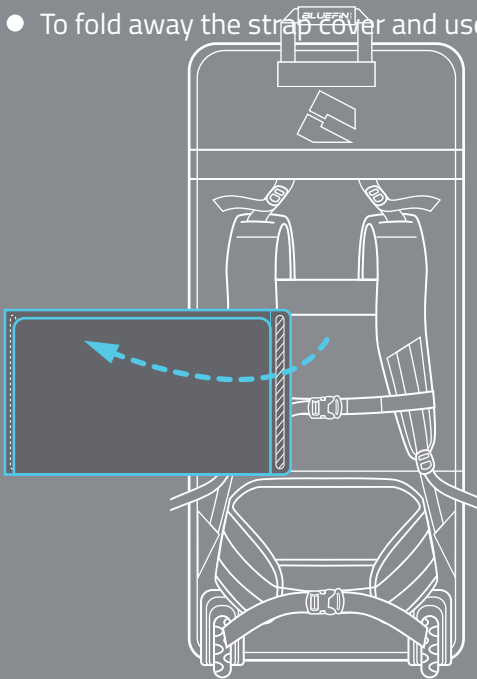


Figure 2.

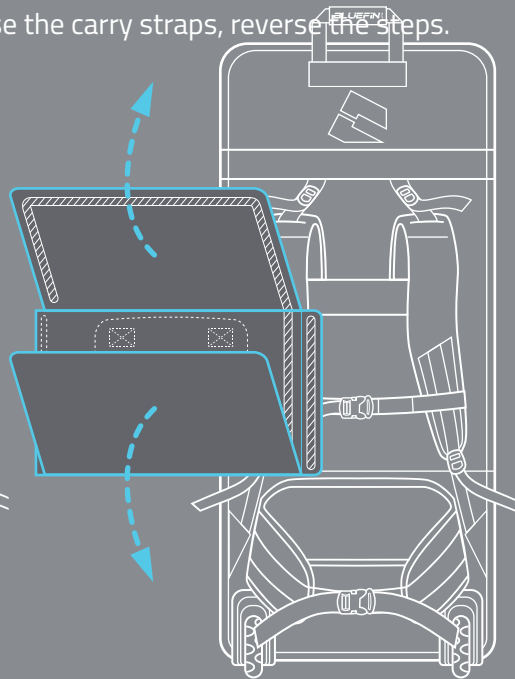


Figure 3.

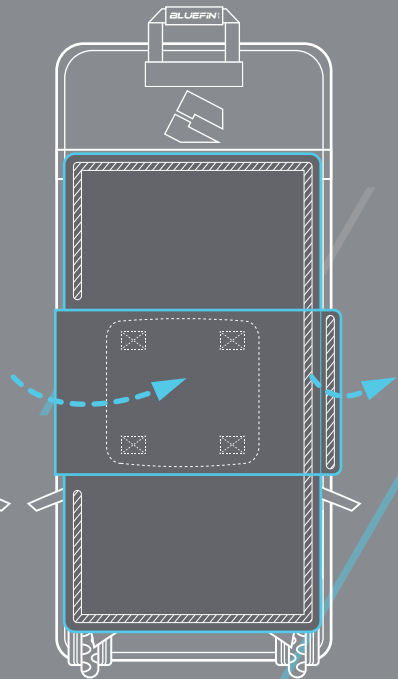
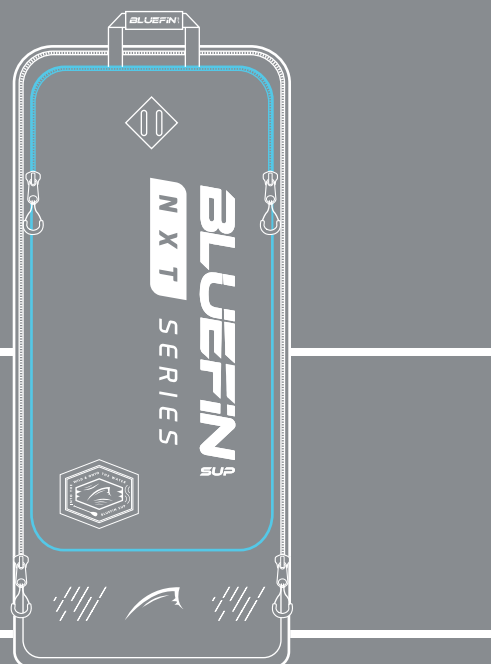


Figure 4.

NXT BAG

PACK AWAY

NXT BAG: The following feature is only available on the NXT bag. Turn the SUP bag into a stuff sack by reversing the bag into the outer pocket.



- Open the outer front pocket on the bag and start pulling the pocket inside out. **Figure 1**
- Once the bag has been pulled through into the front pocket, this will leave you with a smaller stuff sack containing the bag inside. **Figure 2** The NXT branding should now be visible on the outside of the stuff sack.
- To reduce the size of the stuff sack even further, roll the top of the bag down using the webbing to guide. Leave the buckles out at the sides of the bag and connect them when rolled down. **Figure 3**

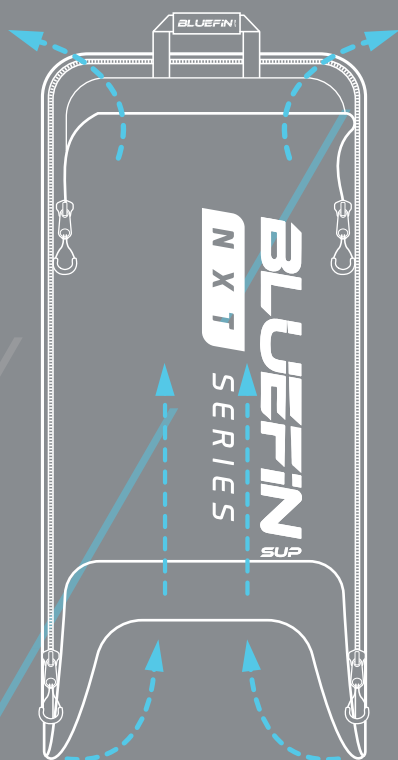


Figure 1.

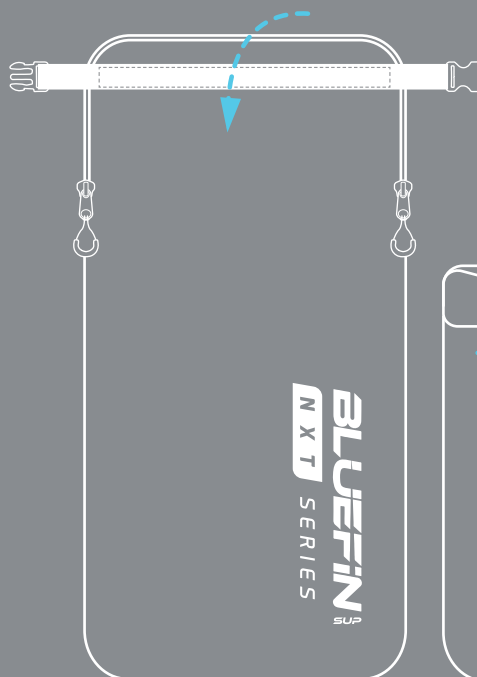


Figure 2.

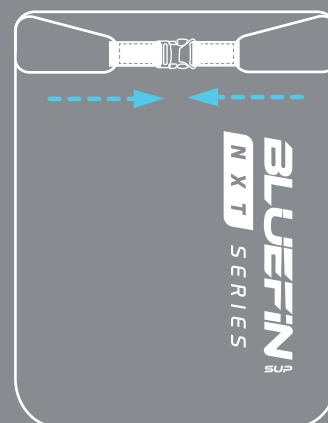


Figure 3.

SAFETY AND CARE

- For your own safety please attach the coiled leash provided to your calf or ankle at all times. Secure one end to the D-ring at the rear of the board and securely attach the velcro strap to your calf or ankle.
- Whilst paddling please consider appropriate clothing for the weather or climate. It is highly recommended to wear a buoyancy aid vest or other personal flotation device, and a wetsuit in cooler conditions.
- Stay hydrated by packing a water bottle in your cargo area. You can secure a bag or cooler under the cargo bungees with ease.
- Store your mobile phone in the waterproof case provided. Also, consider packing a whistle or flashlight in case of an emergency.
- Your board can expand and over-inflate in very hot temperatures. Please check the air pressure and deflate your board as necessary.
- Please pack and store the SUP in the backpack provided, in a cool dry place and away from direct sunlight. You should clean and maintain your board after each use. Hose down if necessary to prevent mildew build-up in storage. Do not use harsh chemicals for cleaning. Most dirt can be removed with mild soap and water.
- A repair kit is provided, with extra patches and a valve tightening tool. From time-to-time your valve may need tightening to prevent any air leaks. To tighten the valve first ensure that the board is fully deflated. Insert the tool into the valve and push upwards from the underside of the board to ensure that the valve is making firm contact with the thread. Next, turn the tool clockwise until the valve is fully tightened and secure.
- Please ensure that no water gets inside of your SUP as this can severely damage the board. If water gets inside the valve, then please remove the valve using the tool provided. Drain any water and dry thoroughly before re-attaching the valve and inflating.

TROUBLESHOOTING

Fault	Inspection	Solution
My pump isn't working.	Check whether the hose is blocked or damaged in any way.	Remove any blockages from the hose, or replace if damaged.
	The connection between the hose / Air Pump / inflation valve on your inflatable is not secure.	Pause the inflation, check all connections are secure and reinstall if necessary.
	The PSI gauge isn't working.	The PSI value won't usually register until it reaches 7 PSI.
		If the problem persists, please contact us. Additional resources may be found at www.bluefinsupboards.com/info-zone/maintenance-repair/
My board has a puncture / leak.	With the board inflated, apply dish-washing liquid to a cloth and coat the valve.	If bubbling occurs, your valve will most likely need tightening using the tool provided. Deflate your board, reach for the nut from underneath the board, insert the valve tightening tool and twist clockwise until fully tightened and secure.
	With the board inflated, apply dish-washing liquid to a cloth and coat the deck and sides.	If bubbling occurs on the seams and deck-pad then you can easily repair a puncture with the patches provided and a strong adhesive glue. Apply glue to both the affected area on the board and the underside of the patch. Allow the glue to become tacky before applying the patch. TIP: You can heat the area with a hair-dryer to speed up the drying process.
		If the problem persists, please contact us. Additional resources may be found at www.bluefinsupboards.com/info-zone/maintenance-repair/

TROUBLESHOOTING

Fault	Inspection	Solution
One or some of my D-rings has come unstuck or has fallen off.	Check whether you just need to glue the D-ring back on, or if you require a new one.	Use a strong adhesive glue to re-apply the D-ring, source a new D-ring from a supplier or contact us for a replacement. If the problem persists, please contact us at sup-support@bluefintrading.co.uk Additional resources may be found at www.bluefinsupboards.com/info-zone/maintenance-repair/
There is a bump on the underside of my board.	A bump is clearly visible on the bottom of the board underneath the valve.	Don't worry. This naturally occurs on every paddle board. Sometimes it is covered by a fin box or other detail, but is exposed on certain models. It occurs due to a gap in the drop-stitch to make space for the valve. It won't affect the performance or quality of your SUP in any way.
My SUP won't fit back into the backpack.	The board is a very tight-fit and doesn't appear to fit back into the backpack.	Unfold the SUP and ensure that all of the air has been squeezed out. You can crawl on the board on your knees, or apply pressure by as possible. Roll the SUP up in approximately 1ft increments and re-pack. For some larger models, it may help to fold the sides inwards before rolling. If the problem persists, please contact us at sup-support@bluefintrading.co.uk Additional resources may be found at www.bluefinsupboards.com/info-zone/maintenance-repair/

TROUBLESHOOTING

Fault	Inspection	Solution
The fin won't fit into the fin box.	The fin box has warped and the fin won't slot back in.	Heat up the plastic on the fin box with a hair-dryer, which should allow you to squeeze the fin back in. Leave the fin in the fin box for a few hours so that the mould resets. If the problem persists, please contact us at sup-support@bluefintrading.co.uk Additional resources may be found at www.bluefinsupboards.com/info-zone/maintenance-repair/
I keep losing my fin. Why is it so heavy?	Check the fin-box for damage and reassess the fin attachment.	The weighted fin enhances handling and manoeuvrability, especially in more testing conditions. Please securely attach your fin system to prevent loss or damage. For a replacement fin, please visit www.bluefinsupboards.com
Water or moisture has entered my SUP.	Immediate action is required.	Remove the valve from the board entirely using the valve tool provided. Pump air through the vacant hole repeatedly for 20 minutes. Once complete, lay the board flat in a cool, dry area with plenty of ventilation for at least 24 hours. If the problem persists, please contact us at sup-support@bluefintrading.co.uk Additional resources may be found at www.bluefinsupboards.com/info-zone/maintenance-repair/

BLUFIN
SUP

BREAK DOWN COVER



bluefinsupboards.com



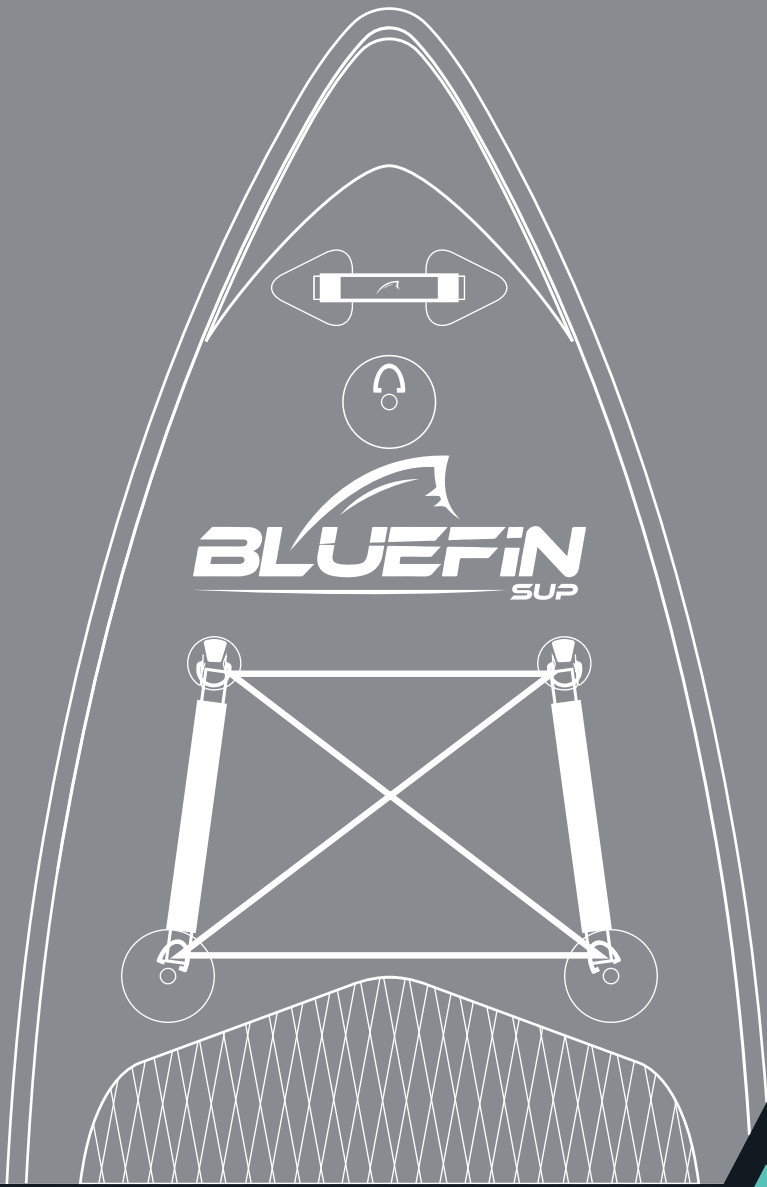
EXTENDED WARRANTY |
BLUFIN SUP EXTENDED WARRANTY |



ACTIVATE WARRANTY



**Or visit Bluefinsupboards.com/activate
There is no manual in your package, Blufin is an Eco-Positive brand.
We cut down paper usage & plant more trees!**



AUFPUMPBARE PADDLEBOARDS

ANLEITUNG
HANDBUCH



INHALT

SEITE

Willkommen	2
Aufpumpvorgang	3
Carbon Aufpumpvorgang	4
Voyage Aufpumpvorgang	5
Swift Pro Pumpe	6
Swift Maxi Pumpe	8
Demontage der Pumpe	10
Smart Lock Flossenbefestigung	11
US Box Flossenbefestigung	12
Paddel-Montage	13
Verstauen und zusammenpacken	14
Carbon-Tasche Gurtaufbewahrung	15
NXT Tasche	16
Sicherheit und Pflege	17
Fehlersuche	18
Abdeckung abbauen	21

WILLKOMMEN IM CLUB

Hey,

Willkommen in der Bluefin SUP Community! Wir sind froh, dich an Bord zu haben. Deine Reise mit uns endet jedoch nicht mit dem Kauf.

Als Mitglied unserer Community hast du Anspruch auf viele Vorteile wie den lebenslangen Support durch unser Kundenservice und eine erweiterte Garantie auf alle unsere Produkte. Vergiss nicht, deine Garantie zu aktivieren, indem du den QR-Code scannst (siehe 'Pannenschutz') oder unsere Website besuchst.

Wir hoffen, dass dir dein Produkt gefällt und du dich entscheidest, das gesamte Bluefin SUP Sortiment zu erkunden. Damit du das Beste aus deinem Produkt zu nutzen, empfehlen wir dir, den Inhalt dieses Handbuchs zu lesen und immer wieder nachzuschlagen.

Weitere Hilfe und Ressourcen findest du auch unter www.bluefinsupboards.com.

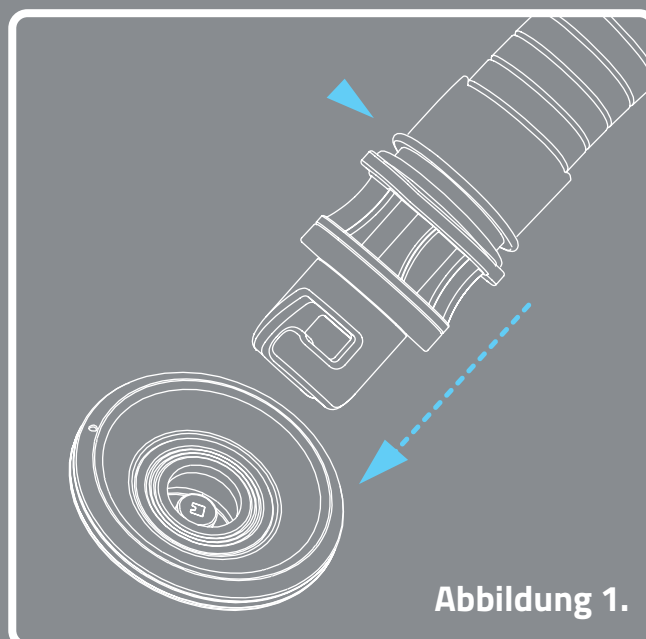
Dein Bluefin SUP team

AUFPUMP- VORGANG



WARNUNG: Bitte verwende nur die mitgelieferte Pumpe oder eine Pumpe, die für dein SUP empfohlen wird. Verwende KEINEN Luftkompressor, da du sonst Gefahr läufst, das Board zu stark aufzupumpen und es irreparabel zu beschädigen. Bei Schäden, die durch zu starkes Aufpumpen verursacht werden, erlischt deine Garantie.

- Packe dein Bluefin SUP aus und rolle es auf einer glatten, sauberen und ebenen Fläche aus.
- Verbinde den Lufthahn deiner Pumpe mit dem Aufblasventil deines SUP. Drücke den Lufthahn fest nach innen und drehe ihn im Uhrzeigersinn, um die Verbindung zu sichern. **Abbildung 1**
- Bevor du mit dem Aufpumpen beginnst, sieh dir bitte den empfohlenen Druck auf dem Ventil deines SUPs an und pumpe es auf den den richtigen Wert auf. Pumpe dein SUP NICHT zu stark auf.
- Die PSI-Anzeige deiner Pumpe zeigt möglicherweise erst an, wenn du mindestens 7 PSI erreicht hast - pumpe weiter!
- Sobald der gewünschte Luftdruck erreicht ist, ziehst du den Lufthahn deiner Pumpe sicher ab und schließt das Ventil an deinem SUP.



CARBON

AUFPUMPVORGANG



WARNUNG: Bitte verwende nur die mitgelieferte Pumpe oder andere empfohlene Pumpen. Verwende KEINEN Luftkompressor, da du sonst riskierst, das Board zu stark aufzupumpen und dein SUP irreparabel zu beschädigen. Im Falle einer Beschädigung durch zu starkes Aufpumpen erlischt deine Garantie.

- Bei den Carbon Boards mit Doppelkammern pumpst du zuerst die innere Kammer in der Mitte des Boards auf. **Abbildung 2** Pumpe das Board bis zum empfohlenen PSI auf. **Abbildung 3** Danach pumpst du das Ventil der Außenkammer am Ende des Boards (**Abbildung 1**) auf den empfohlenen Druck auf, der um das Ventil herum angegeben ist. **Abbildung 3**

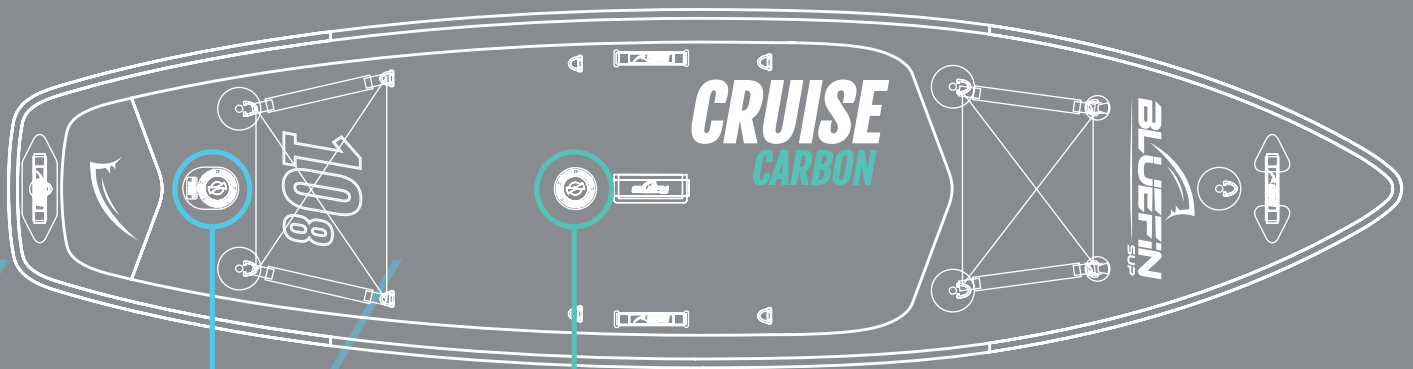


Abbildung 1.
(Zuerst aufpumpen)

Abbildung 2.
(Danach aufpumpen)

Abbildung 3.



VOYAGE

AUFPUMPVORGANG



WARNUNG: Bitte verwende nur die mitgelieferte Pumpe oder eine Pumpe, die für dein SUP empfohlen wird. Verwende KEINEN Luftkompressor, da du sonst Gefahr läufst, das Board zu stark aufzupumpen und es irreparabel zu beschädigen. Bei Schäden, die durch zu starkes Aufpumpen verursacht werden, erlischt deine Garantie.

- Bei einem Voyage mit zwei aufblasbaren Seitenschienen-Kammern **Abbildung 1** pumpst du zuerst die innere Kammer auf den empfohlenen Druck auf, wie er um das Ventil herum angegeben ist. **Abbildung 3**
- Pumpe dann die beiden seitlichen Schienenkammern **Abbildung 2** auf den empfohlenen Druck auf, der um das Ventil herum angegeben ist. **Abbildung 4**

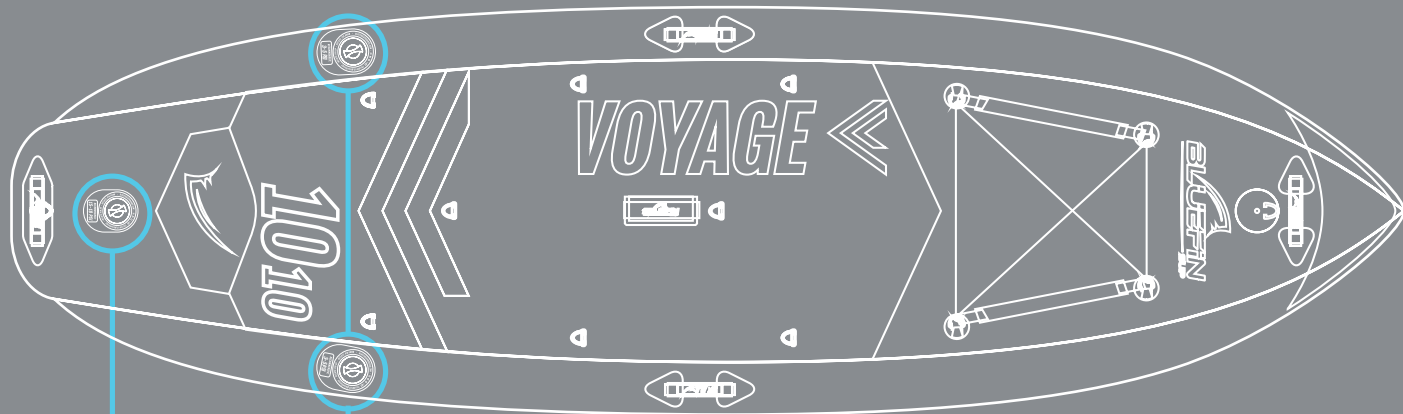


Abbildung 1.
(Zuerst aufpumpen)

Abbildung 2.
(Danach aufpumpen)

Abbildung 3.

Abbildung 4.



SWIFT PRO

PUMPE



PUMPENTYP: Dein SUP wird entweder mit einer Einkammerpumpe **Abbildung 1** oder mit einer Zweikammerpumpe geliefert. **Abbildung 2** Bitte überprüfe deinen Pumpentyp und befolge die Anweisungen zum Aufpumpen.

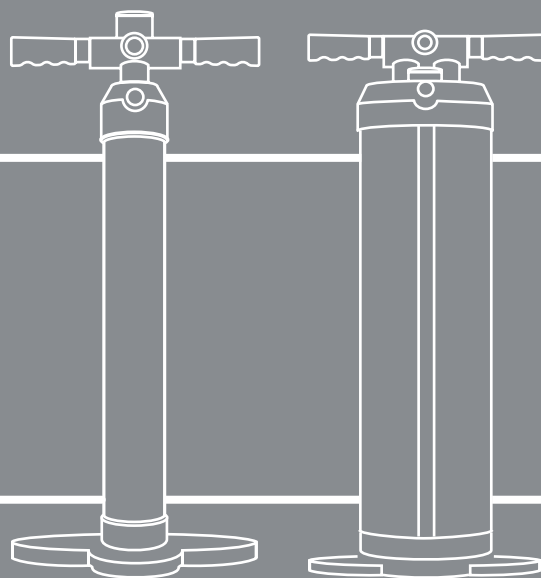


Abbildung 1.

Abbildung 2.

Einkammerpumpe



- Um die Pumpe zum Aufpumpen zu verwenden, befestigst du den Schlauch im Uhrzeigersinn am Luftauslass der Pumpe, der mit "Inflate" gekennzeichnet ist. **Abbildung 4**

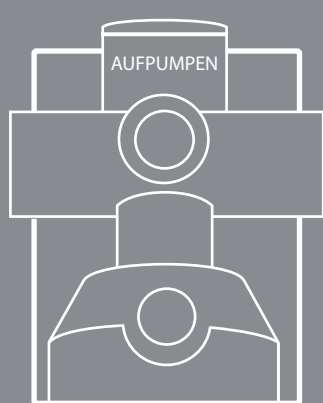


Abbildung 3.

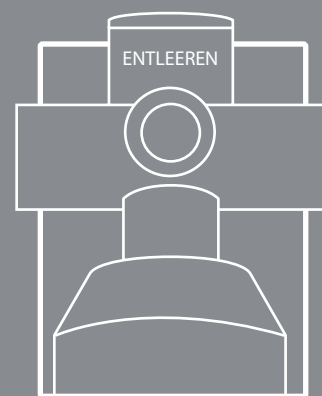
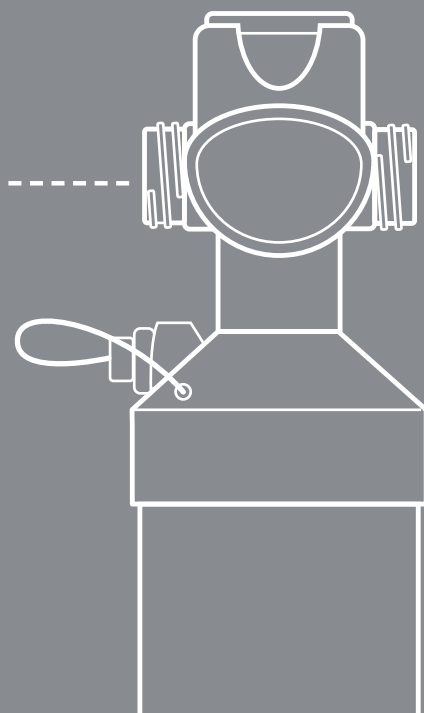
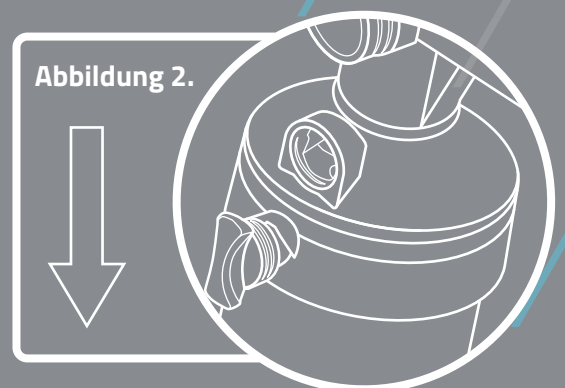
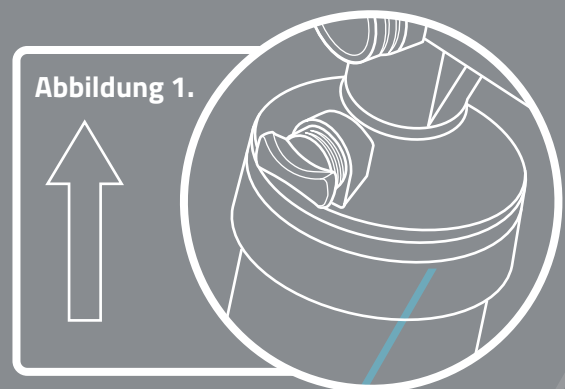
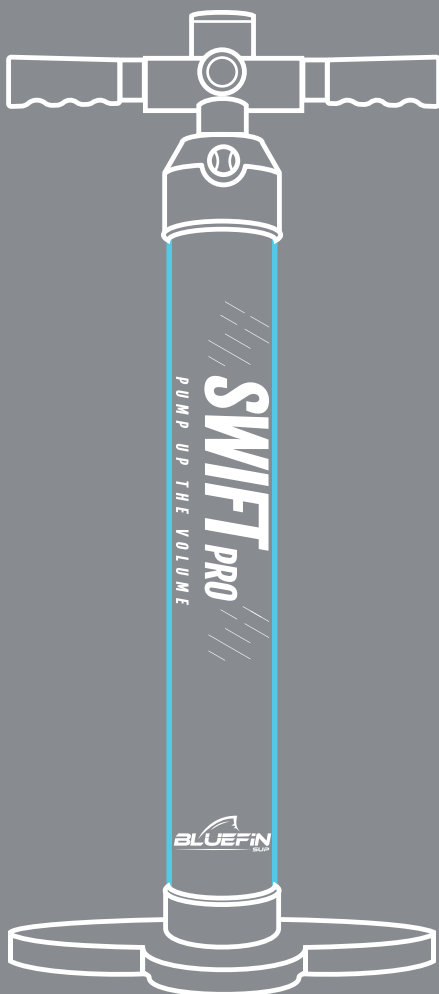


Abbildung 4.

SWIFT PRO PUMPE

- Um die Pumpe im Dual-Action-Modus zu verwenden (die Pumpe bläst die Luft sowohl beim Aufwärts- als auch beim Abwärtspumpen auf bzw. ab), musst du sicherstellen, dass der Aktionsaufsatz am Einlass befestigt ist, indem du ihn im Uhrzeigersinn drehst, bis er fest angezogen ist. **Abbildung 1 - Verwende diese Funktion, wenn du schnell große Luftmengen aufpumpen oder ablassen willst.**
- Um die Pumpe im Single-Action-Modus zu verwenden (die Pumpe pumpt nur beim Abwärtshub auf oder lässt die Luft ab), entferne den Aktionsaufsatz, indem du ihn gegen den Uhrzeigersinn drehst, bis der Einlass offen und frei ist. **Abbildung 2 - Verwende diese Funktion, wenn du mit hohem Druck aufpumpst, und zwar am Ende des Aufpumpvorgangs.**

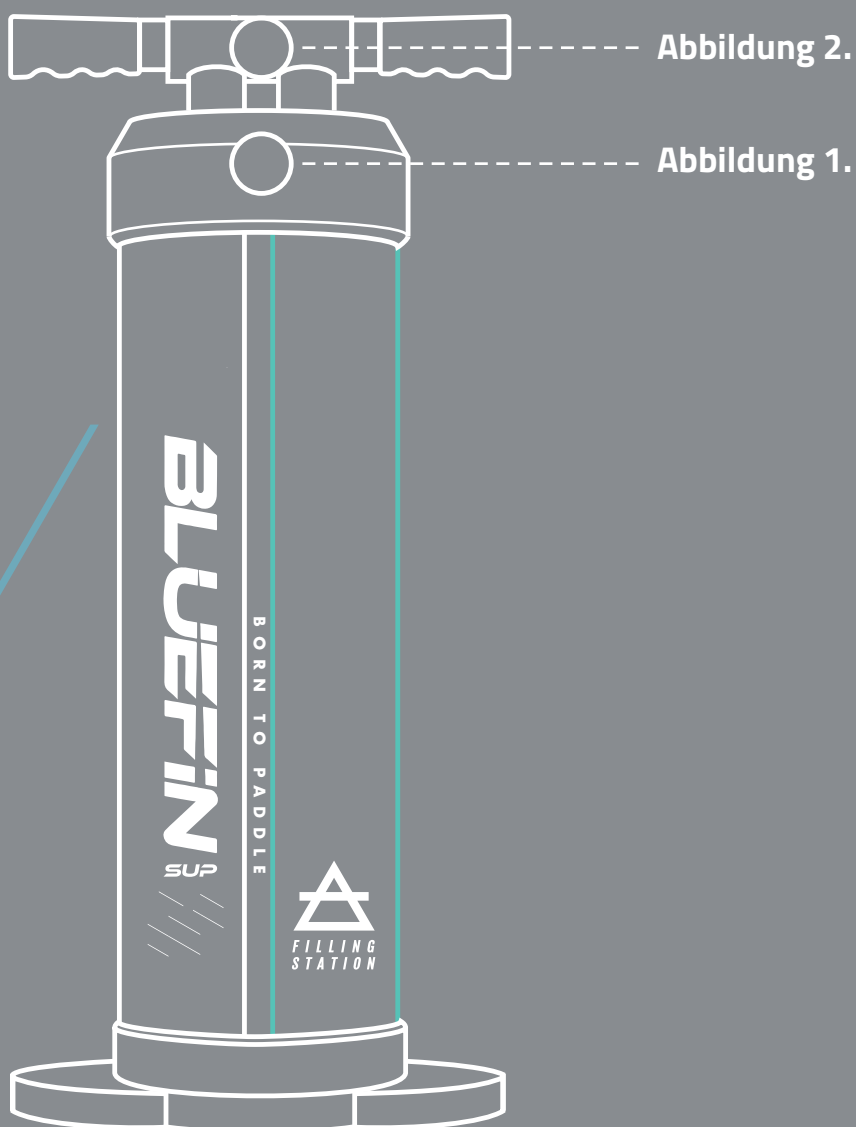


SWIFT MAXI PUMPE

Doppelkammerpumpe

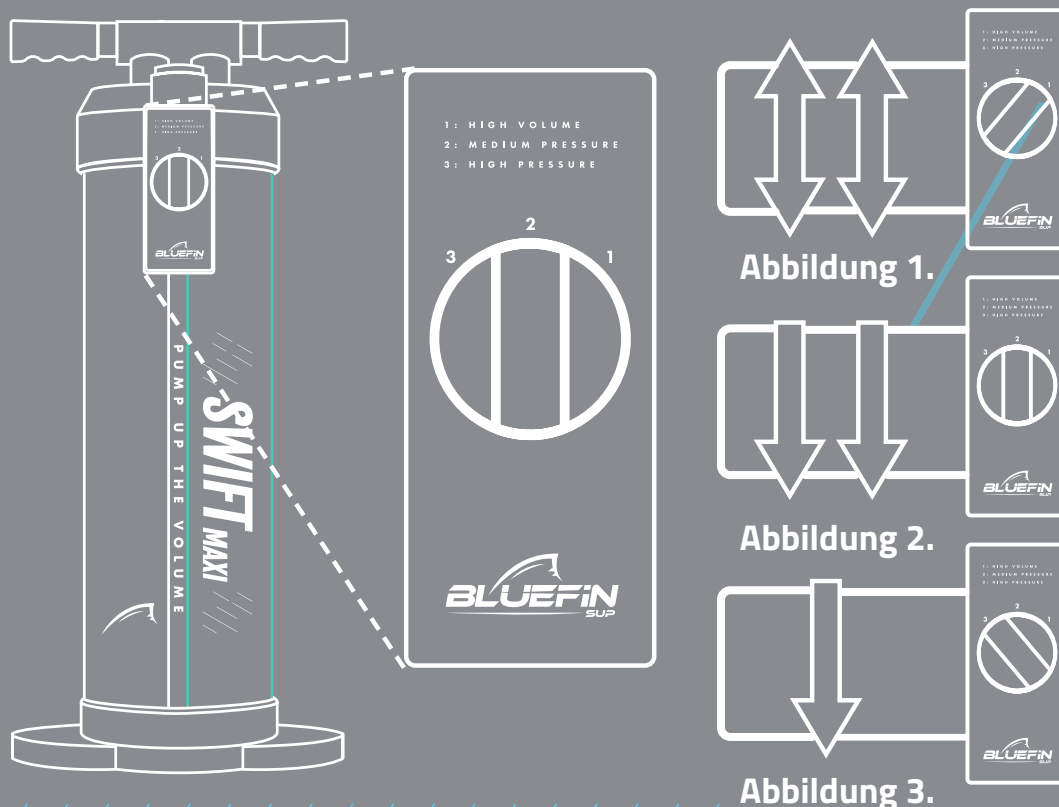


- Um die Pumpe zum Aufpumpen zu verwenden, befestige den Schlauch durch Drehen im Uhrzeigersinn am Luftauslass der Pumpe mit der Aufschrift "Inflate" (Aufpumpen), **Abbildung 1**. Um die Pumpe zum Ablassen zu verwenden, befestige den Schlauch durch Drehen im Uhrzeigersinn am Luftauslass der Pumpe mit der Aufschrift "Deflate" (Ablassen). **Abbildung 2**



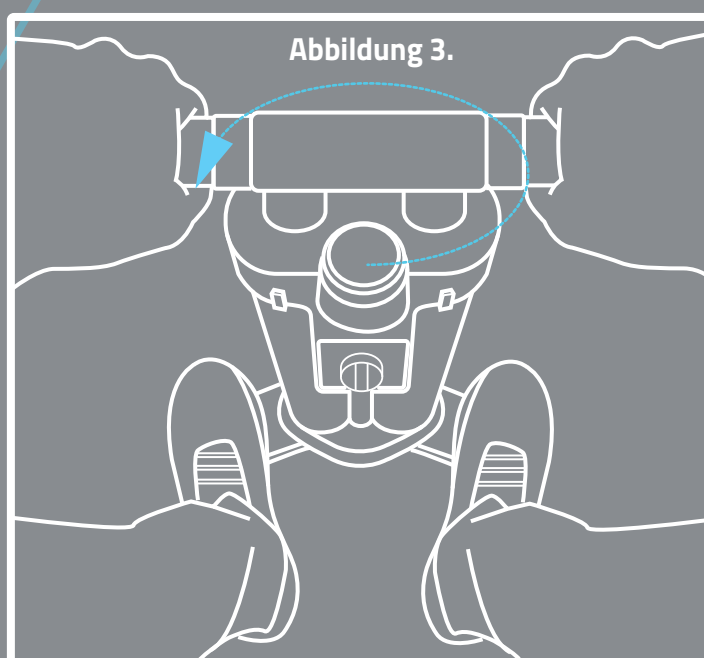
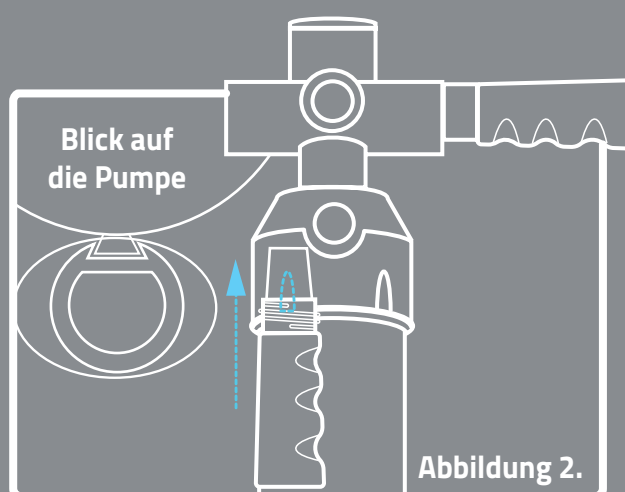
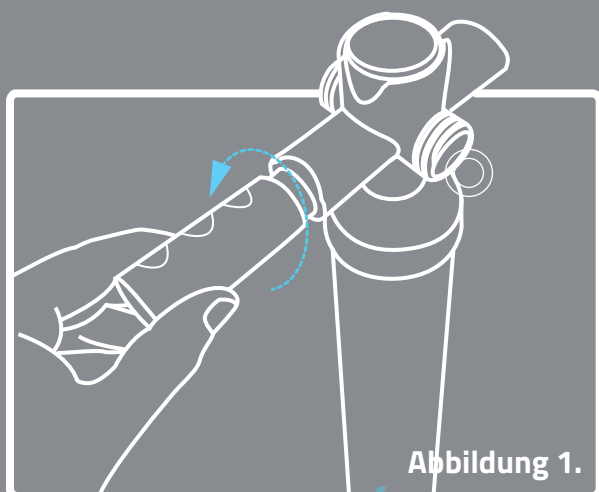
SWIFT MAXI PUMPE

- Um die Pumpe im Zweikammermodus zu verwenden (die Pumpe bläst die Luft sowohl beim Aufwärts- als auch beim Abwärtspumpen auf, wobei beide Kammern verwendet werden), drehst du den Drehschalter auf der Vorderseite der Pumpe, Option 1. **Abbildung 1 - Verwende diese Funktion, wenn du schnell große Luftmengen aufpumpen oder ablassen willst.**
- Um die Pumpe im Zweikammermodus zu verwenden (die Pumpe pumpt nur beim Abwärtshub mit beiden Kammern auf oder lässt die Luft ab), drehst du den Drehknopf an der Vorderseite der Pumpe auf Option 2. **Abbildung 2** Verwende diese Funktion, wenn du schnell große Luftmengen ein- und ausblasen willst und mehr Komfort brauchst als im Doppelkammer-Doppelaktionsmodus.
- Um die Pumpe im Einzelkammermodus zu verwenden (die Pumpe pumpt nur beim Abwärtshub mit einer einzigen Kammer auf oder lässt die Luft ab), drehst du den Drehknopf an der Vorderseite der Pumpe auf Option 3. **Abbildung 3** Verwende diese Funktion, wenn du am Ende des Aufblasvorgangs Luft mit hohem Druck hinzufügst oder ablässt.



DEMONTAGE DER PUMPE

- Um die Pumpe kompakter zu machen, entferne die Pumpengriffe, indem du sie gegen den Uhrzeigersinn drehst **Abbildung 1**, bis sie vollständig abgenommen sind, und schiebe sie auf die beiden Griffhalterungen. **Abbildung 2**
- Um die Fußplatte zu entfernen, stellst du dich auf den Sockel und drehst die Pumpe an den Griffen gegen den Uhrzeigersinn. **Abbildung 3**



SMART LOCK

FLOSSENBEFESTIGUNG



FINNENTYP: Dein SUP hat entweder eine US Box Fin oder ein Smart Lock Flossensystem. Bitte überprüfe deinen Flossentyp und befolge die entsprechenden Anweisungen. **TIPP: Bevor du beginnst vergewissere dich bitte, dass der Finnenkastenschlitz sauber und frei von Sand und Splitt ist.**



SMART LOCK FIN

US BOX FIN

Smart Lock Flossen-System

Führe die Rippe über den Endspalt in den Rippenkasten ein. **Abbildung 1**

Drücke das andere Ende der Flosse fest nach unten und verriegele es, indem du die Endklammer wieder nach unten drückst. Achte darauf, dass du ein hörbares Klicken hörst. **Abbildung 2**

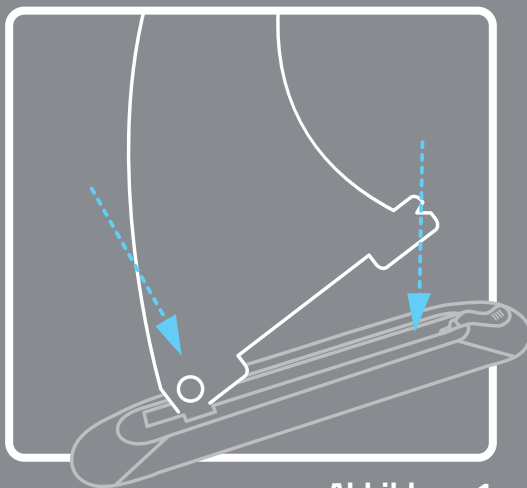


Abbildung 1.

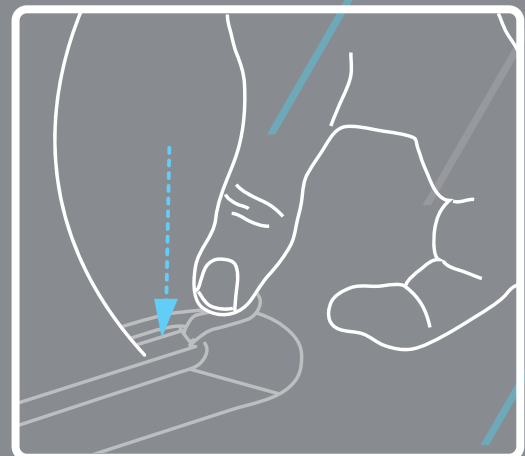


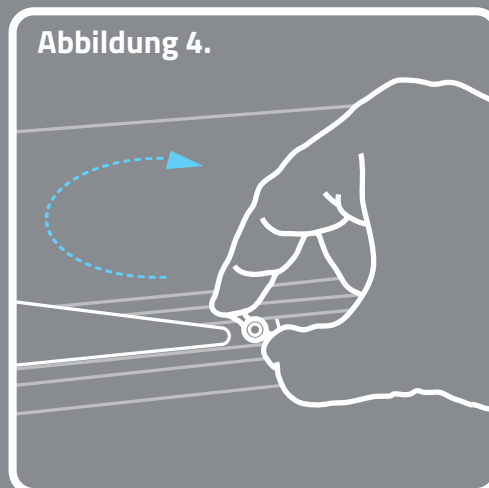
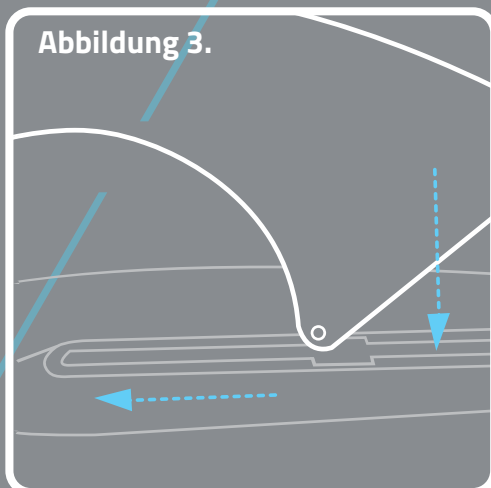
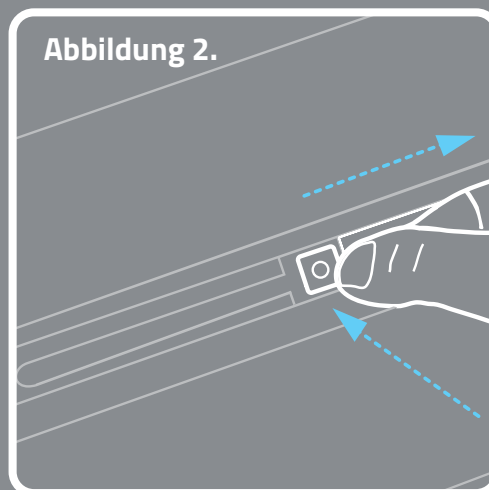
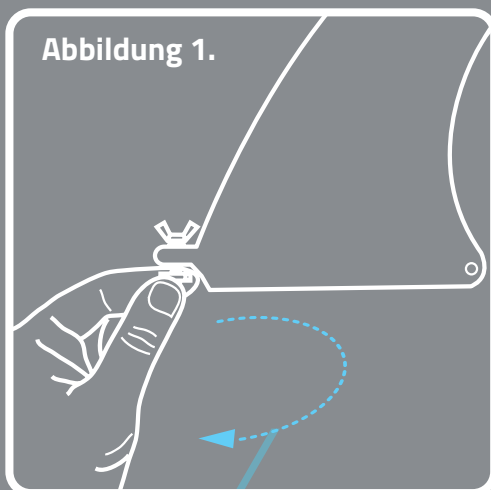
Abbildung 2.

US BOX

FLOSSENBEFESTIGUNG

US Box Flossen-System

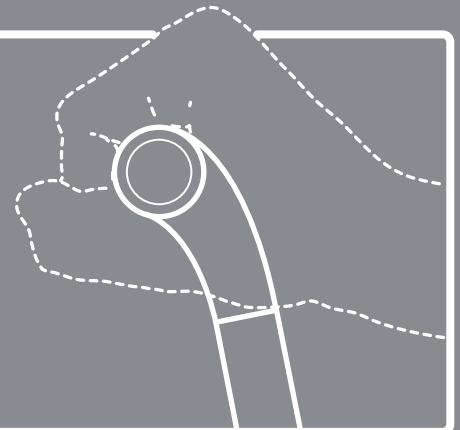
- Schraube die Platte von der Schraube ab (**Abb. 1**) und setze sie über den Spalt in den Lamellenschlitz ein (**Abb. 2**).
TIPP: Benutze die Schraube, um die Platte entlang des Schlitzes in Position zu schieben.
- Führe die Finne durch den mittleren Spalt in den Flossenkasten ein, schiebe die Finne nach hinten und drücke das andere Ende fest nach unten. **Abbildung 3**
- Richte die Schraube an der Schraubplatte aus und ziehe sie fest, bis sie fest sitzt. **Abbildung 4**



PADDEL- MONTAGE



SUP-PADDEL: Dein 3-teiliges Paddel lässt sich leicht zusammenstecken und ist vollständig höhenverstellbar. Der ergonomische Griff sollte wie abgebildet gehandhabt werden. **Abbildung 1** Das Bluefin-Logo sollte sich beim Paddeln auf der Vorderseite des Paddelschafts befinden. **Abbildung 2**



Paddelkonstruktion



- Verwende das Paddel in der richtigen Ausrichtung mit dem Bluefin-Branding an der Vorderseite des Paddelschafts. **Abbildung 2**
- Die Paddellänge sollte so eingestellt werden, dass sie sich etwa 15 cm über dem Kopf des Nutzers befindet. **Abbildung 3**

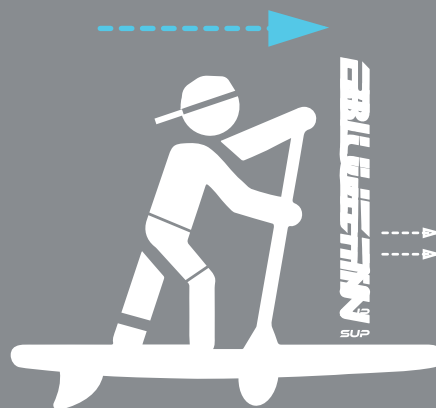
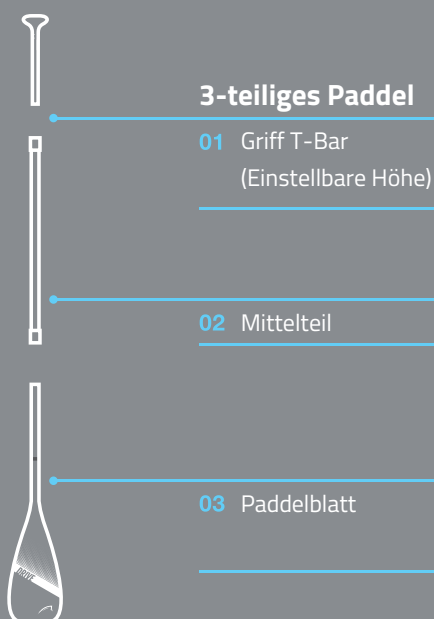


Abbildung 2.

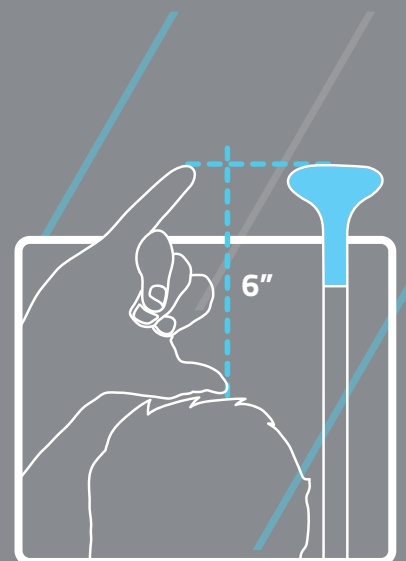
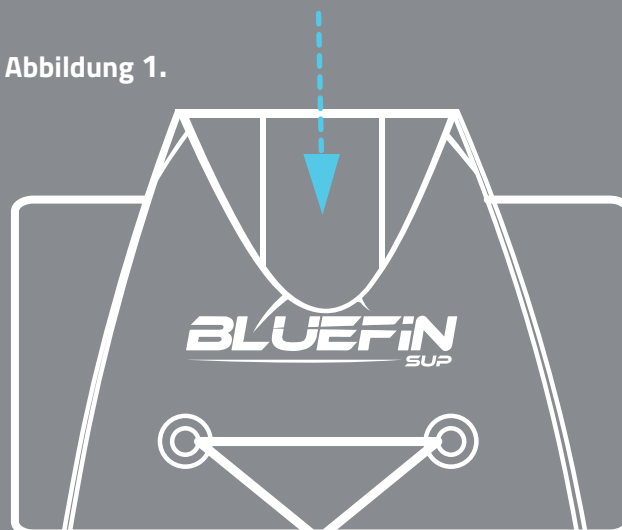


Abbildung 3.

VERSTAUEN UND ZUSAMMENPACKEN

- Bevor du die Luft aus dem Board lässt, entferne bitte die große zentrale Finne und stelle sicher, dass sie sauber und frei von Sand und Ablagerungen ist. Spritze das Board bei Bedarf ab, um Schimmelbildung bei der Lagerung zu vermeiden. Verwende keine scharfen Chemikalien zur Reinigung. Der meiste Schmutz lässt sich mit milder Seife und Wasser entfernen
- Lass die Luft aus jedem Ventil der SUP ab, indem du zuerst die Ventilkappe entfernst. Dann kannst du den Druck ablassen, indem du leicht auf den Push-Pin drückst. TIPP: Schau nicht direkt über das Ventil, wenn du den ersten Luftstoß ablässt.
- Um das Board vollständig zu entleeren, drückst du bitte fest auf den Push-Pin und drehst den Knopf in eine beliebige Richtung, damit er einrastet. Dein Board wird nun schnell entleert.
- Um sicherzustellen, dass die Luft vollständig entweicht, kannst du dich vorsichtig hinknien und über Teile des Brettes kriechen oder sitzen, um die restliche Luft herauszudrücken. Wenn die Luft vollständig abgelassen ist, bringe bitte die Ventilkappen wieder an.
- Für eine kompakte Lagerung sollte dein Board so flach wie möglich sein. Wenn du das Board flachgelegt hast, rolle und falte es bitte von der Spitze nach unten zusammen. **Abbildung 1**
- Bitte verpacke und lagere das SUP in dem mitgelieferten Rucksack an einem kühlen, trockenen Ort und vor direkter Sonneneinstrahlung geschützt.

Abbildung 1.



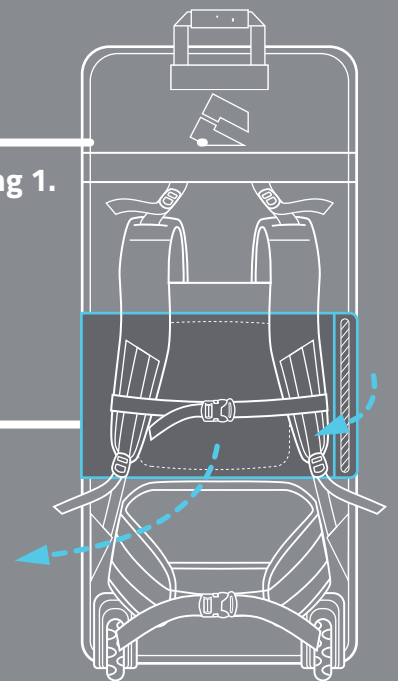
CARBON-TASCHE

GURTAUFBEWAHRUNG



CARBON-TASCHE: Die folgende Funktion ist nur bei den Carbon-Modellen verfügbar. Sie soll verhindern, dass die Tragegurte auf dem Boden schleifen, wenn die Tasche gerollt wird.

Abbildung 1.



- Hebe die Klettverschlusslasche (Abbildung 1) an und löse den mittleren Teil der Polsterung, um die Gurtabdeckung herauszuziehen. **Abbildung 2**
- Klapp die Gurtabdeckung auf, um eine Platte für die Tragegurte zu schaffen, und befestige sie mit dem Klettverschluss am Rand. **Abbildung 3**
- Drücke den Klettverschlussrand nach unten und befestige die Klettverschlusslasche wieder. **Abbildung 4**
- Um die Gurtabdeckung wegzuklappen und die Tragegurte zu verwenden, musst du die Schritte umkehren.

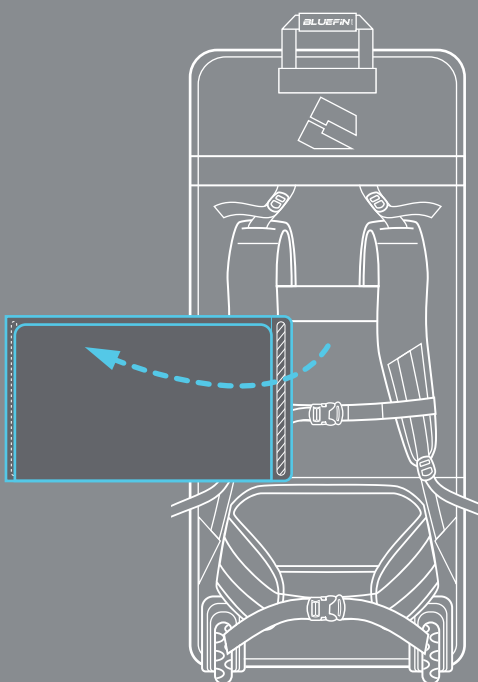


Abbildung 2.

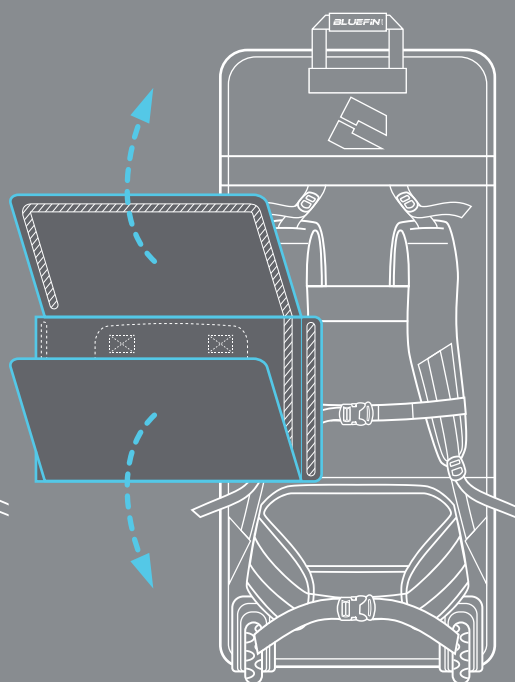


Abbildung 3.

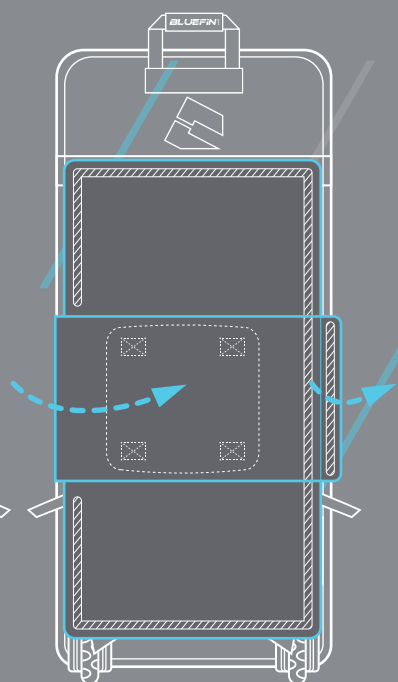
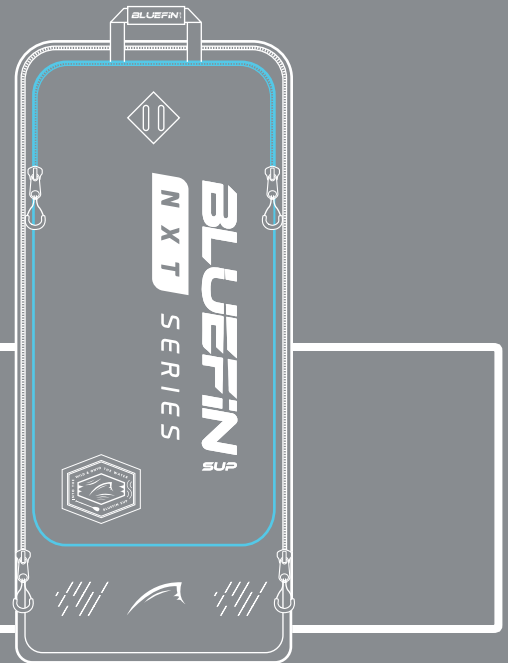


Abbildung 4.

NXT TASCHE

NXT TASCHE: Die folgende Funktion ist nur bei den Carbon-Modellen verfügbar. Verwandle die SUP-Tasche in einen Packsack, indem du die Tasche in die Außentasche umdrehst.



- Öffne die äußere Vordertasche der Tasche und fange an, die Tasche von innen nach außen zu ziehen. **Abbildung 1**
- Wenn du die Tasche in die Vordertasche gezogen hast, bleibt ein kleinerer Packsack übrig, in dem sich die Tasche befindet. **Abbildung 2** Das NXT-Branding sollte jetzt auf der Außenseite des Packsacks zu sehen sein.
- Um den Stausack noch weiter zu verkleinern, rollst du den oberen Teil des Sacks mit Hilfe des Gurtbands nach unten. Lass die Schnallen an den Seiten des Sacks außen und schließe sie, wenn der Sack heruntergerollt ist. **Abbildung 3**

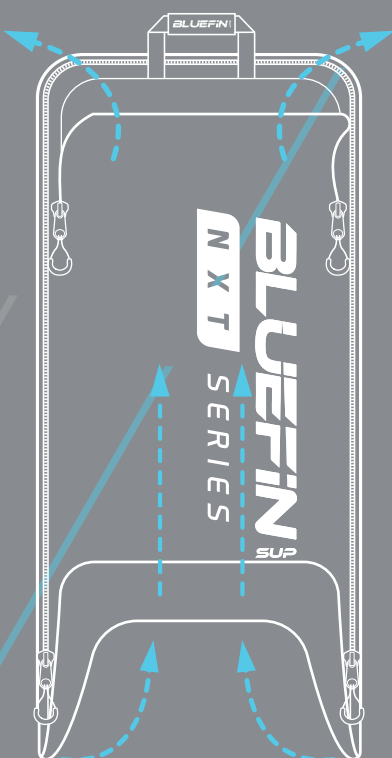


Abbildung 1.

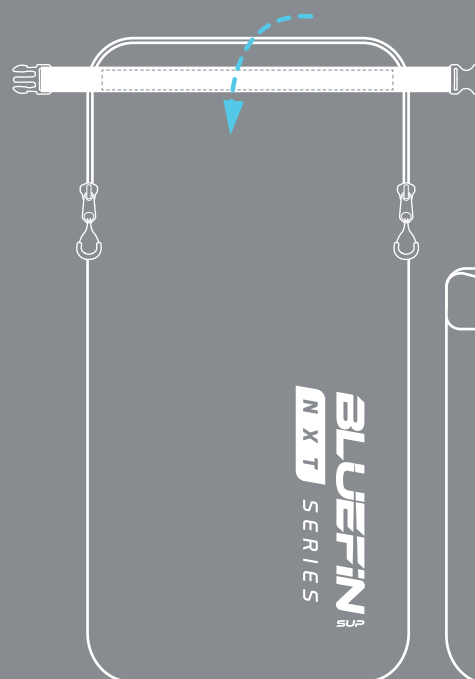


Abbildung 2.

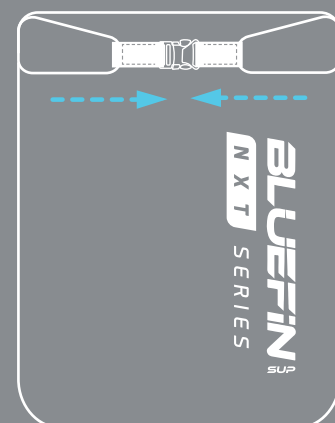


Abbildung 3.

SICHERHEIT UND PFLEGE

- Zu deiner eigenen Sicherheit solltest du die mitgelieferte Leine immer an deiner Wade oder deinem Fußgelenk befestigen. Befestige ein Ende am D-Ring hinten am Board und befestige das Klettband sicher an deiner Wade oder deinem Knöchel.
- Bitte denke beim Paddeln an wetter- und klimagerechte Kleidung. Dies wird dringend empfohlen. Es wird dringend empfohlen, eine Schwimmweste oder eine andere Schwimmhilfe und bei kühleren Bedingungen einen Neoprenanzug zu tragen.
- Sorge für ausreichend Flüssigkeitszufuhr, indem du eine Wasserflasche in deinen Laderaum packst. Du kannst eine Tasche oder eine Kühlbox unter den Ladebungees befestigen.
- Verstaue dein Handy in der mitgelieferten wasserdichten Tasche. Packe außerdem eine Pfeife oder eine Taschenlampe für den Notfall.
- Dein Board kann sich bei sehr heißen Temperaturen ausdehnen und übermäßig aufblähen. Bitte überprüfe den Luftdruck und lasse bei Bedarf die Luft aus deinem Board ab.
- Bitte verpacke und lagere das SUP in dem mitgelieferten Rucksack, an einem kühlen, trockenen Ort und geschützt vor direktem Sonnenlicht. Du solltest dein Board nach jedem Gebrauch reinigen und pflegen. Spritze es bei Bedarf ab, um eine Schimmelbildung bei der Lagerung zu verhindern. Verwende keine scharfen Chemikalien zur Reinigung. Der meiste Schmutz lässt sich mit Wasser und milder Seife entfernen.
- Ein Reparaturset mit zusätzlichen Flickern und einem Werkzeug zum Festziehen des Ventils wird mitgeliefert. Von Zeit zu Zeit muss dein Ventil nachgezogen werden, um Luftlecks zu vermeiden. Um das Ventil zu schließen, vergewissere dich zunächst, dass das Board vollständig entleert ist. Führe das Werkzeug in das Ventil ein und drücke es von der Unterseite des Brettes nach oben, um sicherzustellen, dass das Ventil fest auf dem Gewinde sitzt. Dann drehst du das Werkzeug im Uhrzeigersinn, bis das Ventil vollständig angezogen und befestigt ist.
- Achte darauf, dass kein Wasser in dein SUP eindringt, da dies das Board stark beschädigen kann. Wenn Wasser in das Ventil eindringt, entferne es bitte mit dem mitgelieferten Werkzeug. Lass das Wasser ablaufen und trockne es gründlich, bevor du das Ventil wieder anbringst und das Board wieder aufpumpst.

FEHLERSUCHE

Fehler	Überprüfung	Lösung
Meine Pumpe funktioniert nicht.	Prüfe, ob der Schlauch verstopft oder beschädigt ist.	Entferne eventuelle Verstopfungen aus dem Schlauch oder ersetze ihn, wenn er beschädigt ist.
	Die Verbindung zwischen Schlauch / Luftpumpe / Aufblasventil an deinem Schlauchboot ist nicht fest.	Unterbreche den Aufpumpvorgang, überprüfe, ob alle Verbindungsstellen ordnungsgemäß befestigt sind und befestige sie gegebenenfalls neu.
	Die PSI-Anzeige funktioniert nicht.	Der PSI-Wert wird normalerweise erst ab 7 PSI angezeigt. Wenn das Problem weiterhin besteht, kontaktiere uns bitte. Weitere Ressourcen findest du unter www.bluefinsupboards.com/info-zone/maintenancerepair/
Mein Board hat eine Panne / ein Leck	Wenn das Board aufgeblasen ist, trage Spülmittel auf ein Tuch auf und beschichte das Ventil. Gib ein wenig Spülmittel auf einen Lappen und bestreiche das Deck und die Seiten des aufgepumpten Boards.	Wenn Blasen auftreten, muss das Ventil höchstwahrscheinlich mit dem mitgelieferten Werkzeug festgezogen werden. Lass die Luft aus deinem Board ab, greife von unten an die Mutter, setze das Ventilspannwerkzeug ein und drehe es im Uhrzeigersinn, bis es fest angezogen und sicher ist. Wenn an den Nähten und am Deckpolster Luftblasen auftreten, kannst du die Löcher mit den mitgelieferten Flickern und einem starken Klebstoff leicht reparieren. Trage den Kleber sowohl auf die betroffene Stelle auf dem Brett als auch auf die Unterseite des Flickens auf. Lasse den Kleber klebrig werden, bevor du den Flickern anbringst. TIPP: Du kannst die Stelle mit einem Haartrockner erwärmen, um den Trocknungsprozess zu beschleunigen.
		Wenn das Problem weiterhin besteht, kontaktiere uns bitte. Weitere Informationen findest du unter www.bluefinsupboards.com/info-zone/maintenance-repair/

FEHLERSUCHE

Fehler	Überprüfung	Lösung
Einer oder mehrere meiner D-Ringe haben sich gelöst oder sind abgefallen.	Prüfe, ob du den D-Ring nur wieder ankleben musst oder ob du einen neuen brauchst.	Verwende einen starken Klebstoff, um den D-Ring wieder anzubringen, besorge dir einen neuen D-Ring von einem Lieferanten oder kontaktiere uns für einen Ersatz. Wenn das Problem weiterhin besteht, kontaktiere uns bitte unter sup-support@bluefintrading.co.uk . Weitere Ressourcen findest du unter www.bluefinsupboards.com/info-zone/maintenancerepair/ .
An der Unterseite meines Boards befindet sich eine Beule.	Auf der Unterseite des Boards ist unterhalb des Ventils deutlich eine Beule zu sehen.	Mach dir keine Sorgen. Das kommt natürlicherweise bei jedem Paddleboard vor. Manchmal wird eine Beule durch einen Flossenkasten oder ein anderes Detail verdeckt, aber bei manchen Modellen ist eine solche Stelle sichtbar. Sie entsteht durch eine Lücke im Fallstich, um Platz für das Ventil zu schaffen. Sie beeinträchtigt in keiner Weise die Leistung oder Qualität deines SUPs.
Mein SUP lässt sich nicht in den Rucksack packen.	Das Board sitzt sehr eng und scheint nicht wieder in den Rucksack zu passen.	Klappe das SUP auf und vergewissere dich, dass die gesamte Luft herausgedrückt wurde. Du kannst auf den Knien auf das Board krabbeln oder Druck ausüben, so gut es geht. Rolle das SUP in Schritten von etwa 30 cm auf und packe es wieder ein. Bei einigen größeren Modellen kann es hilfreich sein, die Seiten vor dem Zusammenrollen nach innen zu falten. Wenn das Problem weiterhin besteht, kontaktiere uns bitte unter sup-support@bluefintrading.co.uk . Weitere Ressourcen findest du unter www.bluefinsupboards.com/info-zone/maintenance-repair .

FEHLERSUCHE

Fehler	Überprüfung	Lösung
Die Flosse passt nicht in den Flossenkasten.	Der Flossenkasten hat sich verzogen und die Flosse lässt sich nicht mehr einschieben.	Erhitze das Plastik des Flossenkastens mit einem Föhn, damit du die Flosse wieder hineindrücken kannst. Lass die Flosse ein paar Stunden lang im Flossenkasten, damit die Form zurücksetzt. Wenn das Problem weiterhin besteht, kontaktiere uns bitte unter sup-support@bluefintrading.co.uk Weitere Ressourcen findest du unter www.bluefinsupboards.com/info-zone/maintenancerepair/
Ich verliere ständig meine Flosse. Warum ist sie so schwer?	Überprüfe den Flossenkasten auf Schäden und überprüfe die Flossenbefestigung.	Die beschwerte Flosse verbessert das Handling und die Manövrierfähigkeit, vor allem bei schwierigeren Bedingungen. Bitte befestige dein Flossensystem sicher, um Verlust oder Beschädigung zu vermeiden. Für eine Ersatzflosse besuche bitte www.bluefinsupboards.com
Wasser oder Feuchtigkeit ist in mein SUP eingedrungen.	Es besteht sofortiger Handlungsbedarf.	Entferne das Ventil mit dem mitgelieferten Ventilwerkzeug vollständig aus dem Board. Pumpe 20 Minuten lang wiederholt Luft durch das leere Loch. Danach legst du das Brett für mindestens 24 Stunden an einem kühlen, trockenen Ort mit ausreichender Luftzirkulation flach hin. Wenn das Problem weiterhin besteht, kontaktiere uns bitte unter sup-support@bluefintrading.co.uk Weitere Ressourcen findest du unter www.bluefinsupboards.com/info-zone/maintenance-repair/

BLUFIN
SUP

FÜNF JAHRE GARANTIE



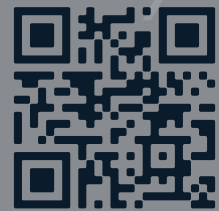
bluefinsupboards.com



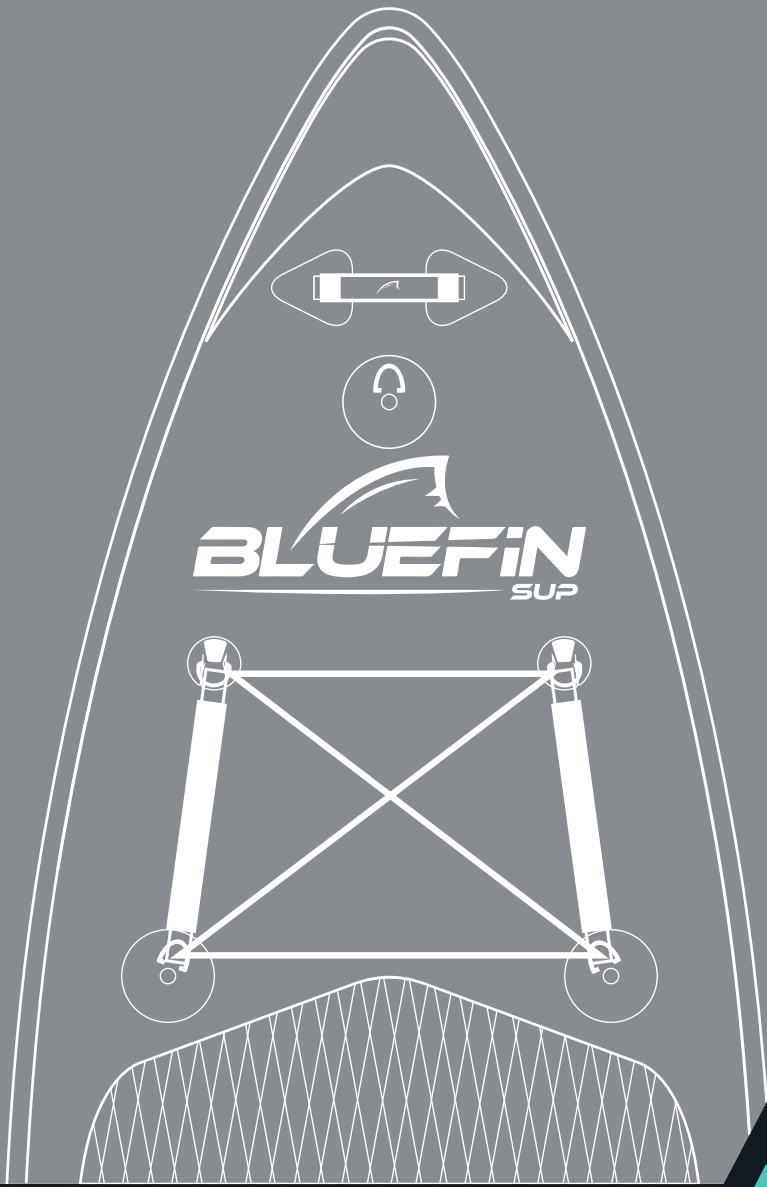
ERWEITERTE GARANTIE |
BLUFIN SUP ERWEITERTE GARANTIE



DEINE GARANTIE REGISTRIEREN



Oder besuche Bluefinsupboards.com/de/aktiviere



TABLAS DE PADDLE SURF HINCHABLES

MANUAL DE
INSTRUCCIONES



ÍNDICE

Bienvenida	46
Proceso de Inflado	47
Proceso de Inflado Carbon	48
Proceso de Infado Voyage	49
Bombín Swift Pro	50
Bombín Swift Maxi	52
Desmontaje del Bombín	54
Colocación de Quilla Smart Lock	55
Colocación de Quilla US Box	56
Montaje del Remo	57
Recogido	58
Recogido en Mochila Carbon	59
Recogido en Mochila NXT	60
Seguridad y Cuidados	61
Identificación de Problemas	62
Asistencia	65

ES

NUESTRA **BIENVENIDA AL CLUB**

Hola,

¡Os damos la bienvenida a la comunidad de Bluefin SUP! Nos alegramos de recibirlos a bordo. Vuestra relación con nosotros no termina con vuestra compra.

Como parte de nuestra comunidad, tienes derecho a muchos beneficios, incluyendo ayuda de por vida de nuestro departamento de atención al cliente y una garantía extendida en todos nuestros productos. Acuérdate de activar tu garantía escaneando el código QR (mira el apartado "Asistencia") o visitando nuestra página web.

Esperamos que disfrutes de tu artículo y que sigas explorando toda la colección de Bluefin SUP. Para sacar el mejor partido de tu artículo, te recomendamos que leas y tomes siempre como referencia los contenidos de este manual.

También puedes encontrar más ayuda y recursos en www.bluefinsupboards.com

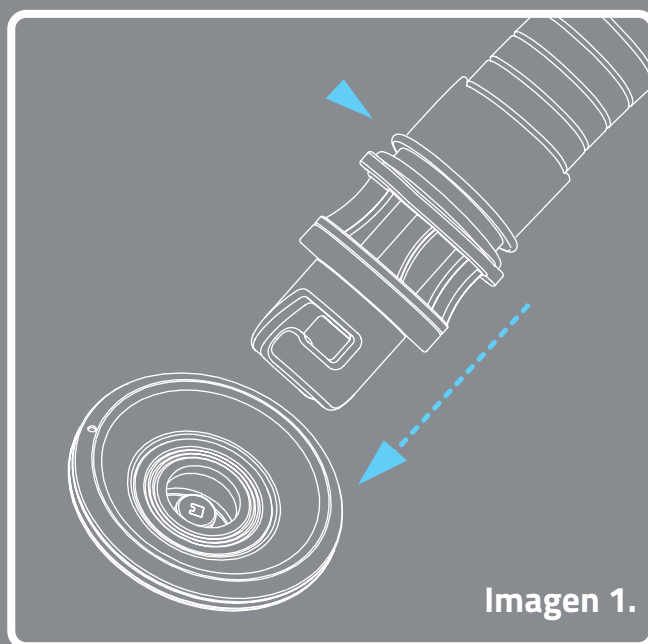
El equipo de Bluefin SUP

PROCESO DE INFLADO



ADVERTENCIA: Por favor, usa sólo el bombín que se incluye en el pack o un bombín recomendado para tu SUP. NO USES un compresor de aire ya que corres el riesgo de hinchar la tabla en exceso con lo que podrías dañarla sin posibilidad de reparación. Tu garantía no cubre los daños causados por un exceso de hinchado.

- Sacar tu SUP Bluefin de su embalaje y desenrollarla sobre una superficie suave, limpia y lisa.
- Conectar la boquilla del tubo del bombín con la válvula de inflado de tu SUP. Introducir con firmeza la boquilla del tubo del bombín y girarla hacia la derecha para fijarla bien. **Imagen 1**
- Antes de empezar a hinchar, por favor, consultar el PSI recomendado que aparece en la válvula de tu SUP e hincharla hasta alcanzar el valor apropiado. NO hinchas tu SUP en exceso.
- Es posible que el PSI no se muestre en el indicador de tu bombín hasta que alcances 7 PSI - ¡Sigue inflando!
- Una vez hayas alcanzado la presión de aire deseada, por favor, con cuidado desconectar la boquilla del tubo del bombín y cerrar la válvula de tu SUP.



PROCESO DE INFLADO CARBON



ADVERTENCIA: Por favor, usa sólo el bombín que se incluye en el pack o un bombín recomendado para tu SUP. NO USES un compresor de aire ya que corres el riesgo de hinchar la tabla en exceso con lo que podrías dañarla sin posibilidad de reparación. Tu garantía no cubre los daños causados por un exceso de hinchado.

- Para las Tablas Carbon con doble cámara de hinchado, primero hincha la cámara interior del centro de la tabla. **Imagen 2.** Hínchala hasta los PSI recomendados. **Imagen 3**
- Después hincha la cámara más exterior con la válvula en la cola de la tabla, **Imagen 1,** hasta los PSI recomendados que están anotados en la válvula. **Imagen 3**

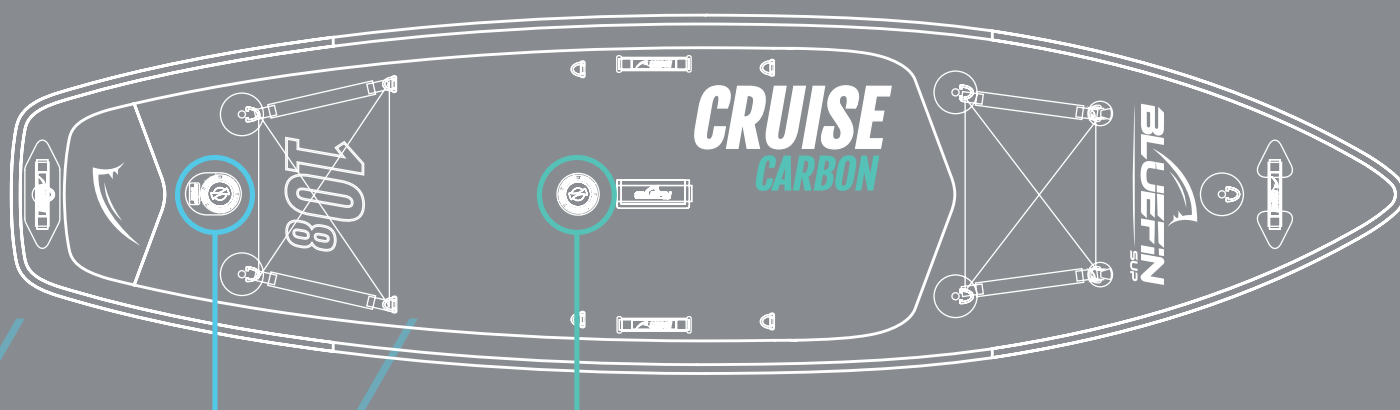


Imagen 1.
(Hínchala primero)

Imagen 2.
(Hínchala en segundo lugar)

Imagen 3.



PROCESO DE INFLADO VOYAGE

ADVERTENCIA: Por favor, usa sólo el bombín que se incluye en el pack o un bombín recomendado para tu SUP. NO USES un compresor de aire ya que corres el riesgo de hinchar la tabla en exceso con lo que podrías dañarla sin posibilidad de reparación. Tu garantía no cubre los daños causados por un exceso de hinchado.

- Para las tablas Voyage con cámaras de inflado en las dos bandas laterales, hinchca primero la cámara interior, **Imagen 1**, hasta alcanzar el PSI recomendado que aparece en la válvula. **Imagen 3**
- En segundo lugar, hinchca las dos cámaras de las bandas laterales, **Imagen 2**, hasta alcanzar el PSI recomendado que aparece en la válvula. **Imagen 4**

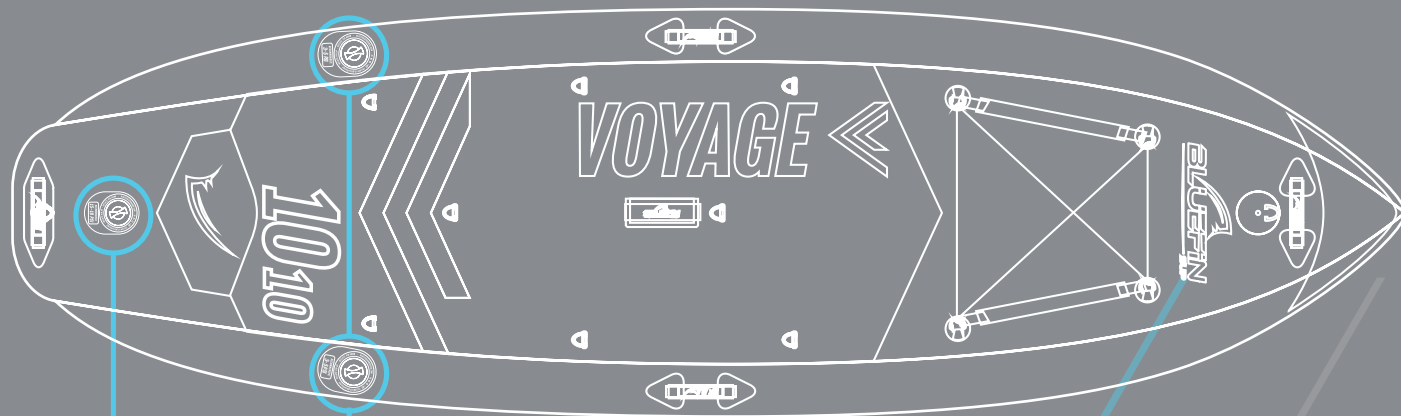


Imagen 1.
(Hinchala primero)

Imagen 2.
(Híinchala en segundo lugar)

Imagen 3.

Imagen 4.



BOMBÍN

SWIFT PRO



TIPO DE BOMBÍN: Tu SUP incluye o bien un bombín de una cámara, **Imagen 1**, o bien un bombín de doble cámara. **Imagen 2** Por favor, comprueba qué tipo de bombín tienes y sigue las instrucciones de inflado.

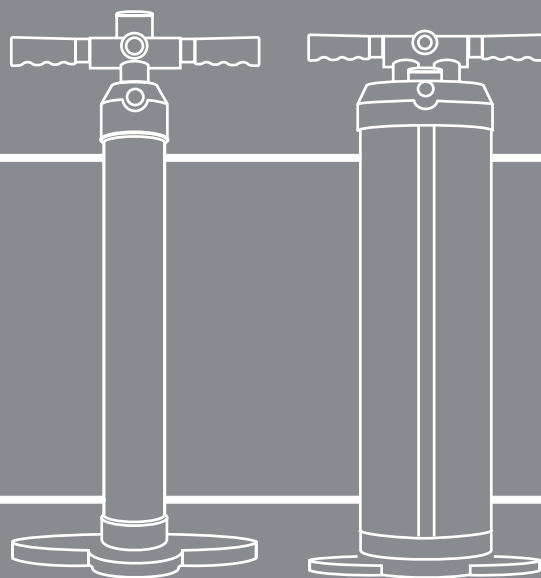


Imagen 1.

Imagen 2.

Bombín de Una Cámara



- Para inflar, fija el tubo girándolo hacia la derecha en la salida de aire del bombín, etiquetada como Inflate, **Imagen 3**, y para deshinchar, fija el tubo girándolo hacia la izquierda en la salida de aire del bombín, etiquetado como Deflate. **Imagen 4**

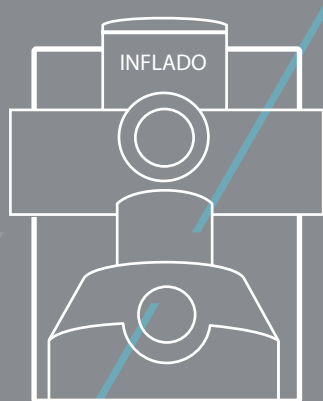


Imagen 3.

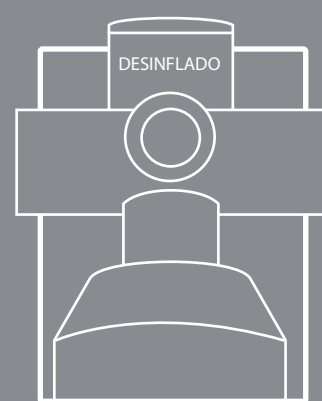
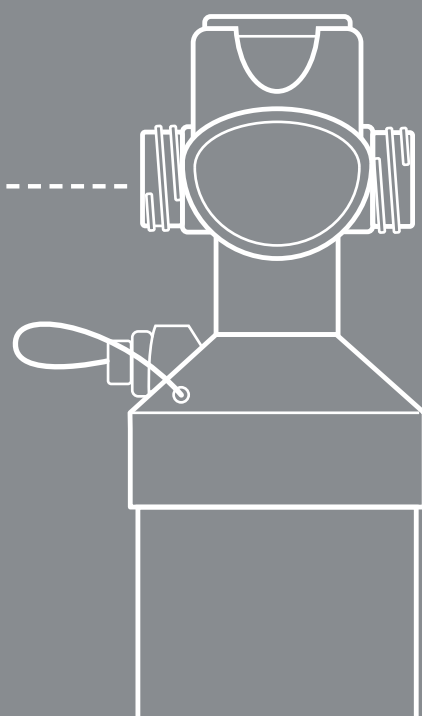
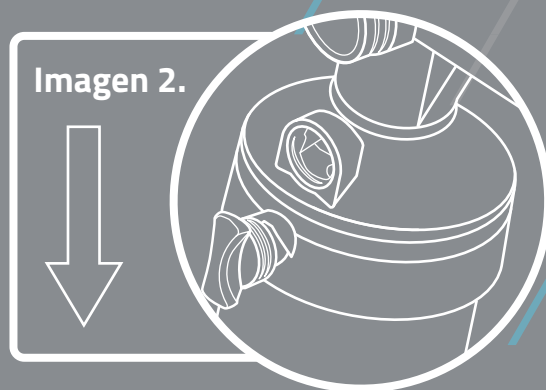
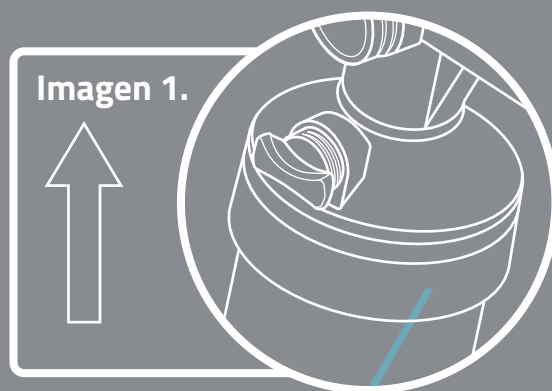
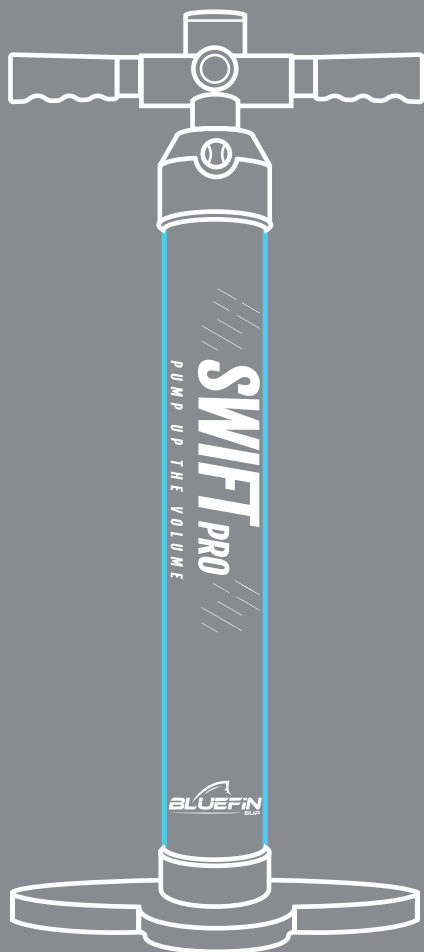


Imagen 4.

BOMBÍN SWIFT PRO

- Para usar el bombín en función acción doble (es decir, el bombín inflará o desinflará tanto en el movimiento ascendente como descendente) asegúrate de que la boquilla del tubo esté bien fijada en la entrada de aire girándola hacia la derecha hasta que esté bien apretada. **Imagen 1 - Utiliza esta función cuando quieras añadir/eliminar un gran volumen de aire rápidamente.**
- Para utilizar el bombín en función acción simple (es decir, el bombín sólo inflará o desinflará en el movimiento descendente) quita la boquilla del tubo girándolo hacia la izquierda hasta que la entrada de aire esté abierta y libre. **Imagen 2 - Utiliza esta función cuando quieras inflar a gran presión, al final del proceso de inflado.**



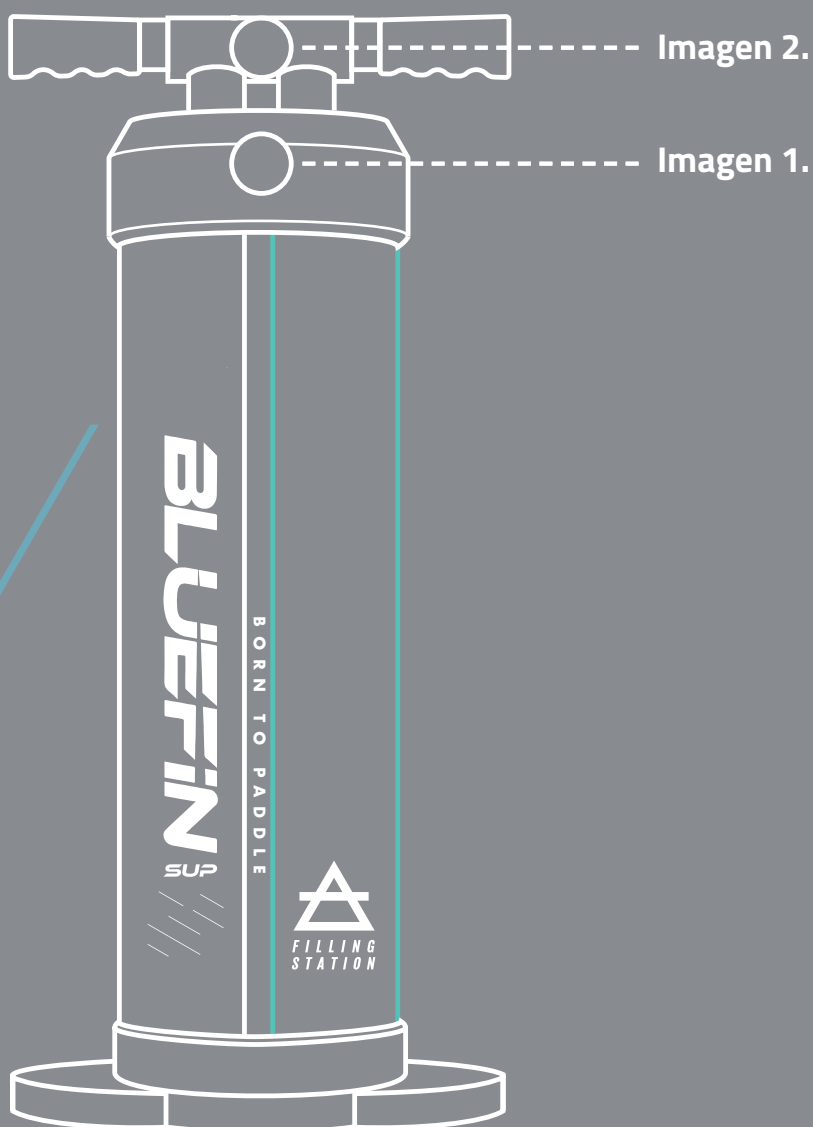
BOMBÍN

SWIFT MAXI

Bombín de Doble Cámara



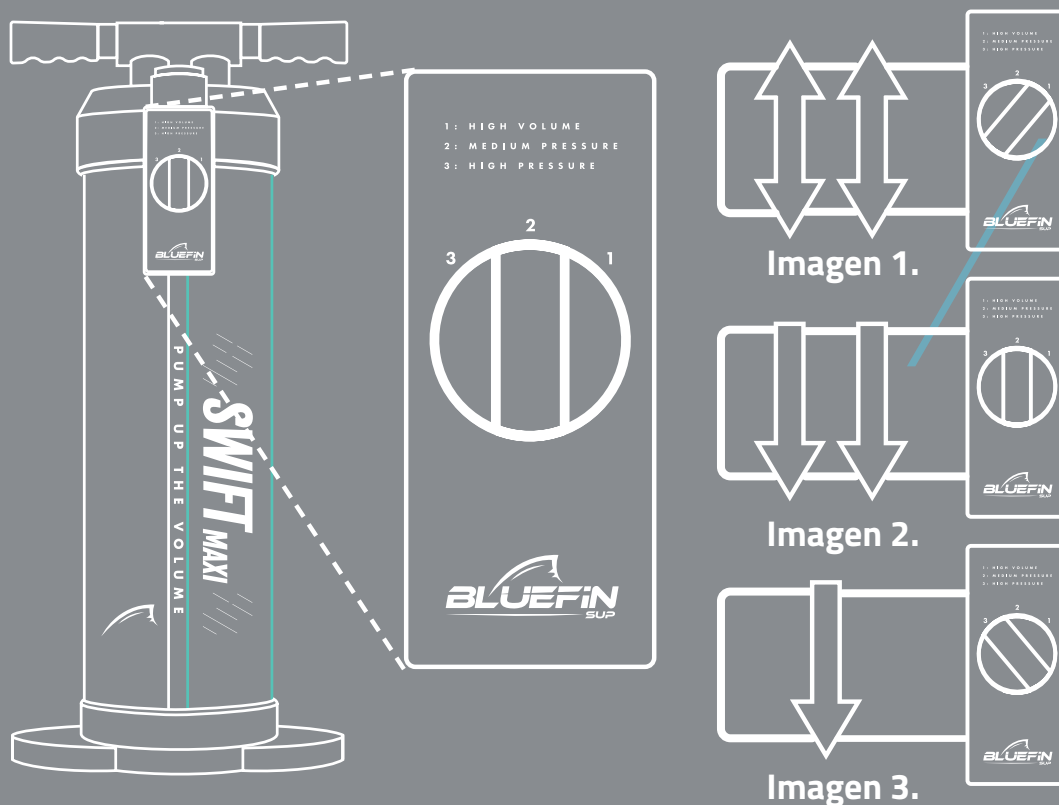
- Para usar el bombín para inflar, fija el tubo girándolo hacia la derecha en la salida de aire del bombín, donde dice "Inflate", **Imagen 1**. Para desinflar fija el tubo girándolo a la derecha en la salida de aire del bombín donde dice "Deflate", **Imagen 2**.



BOMBÍN

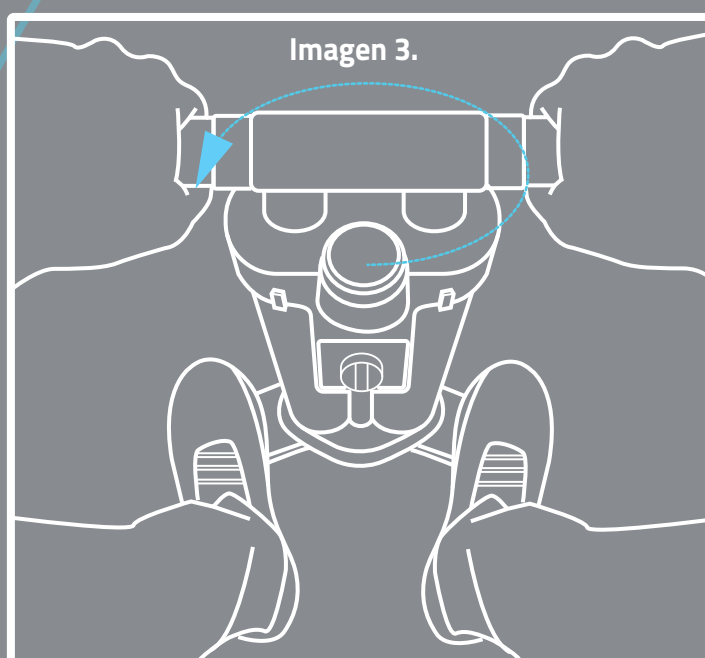
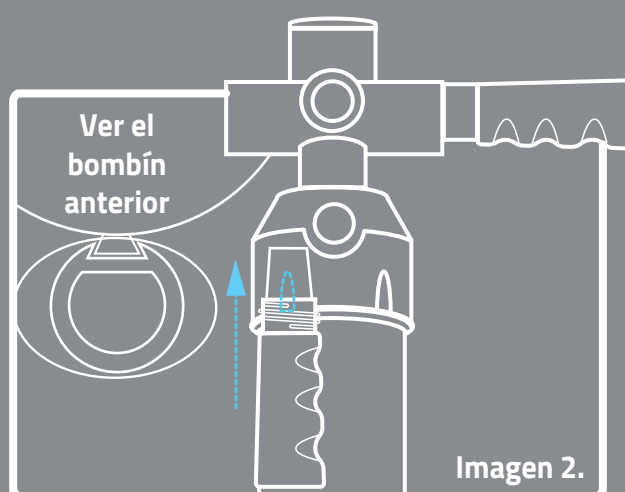
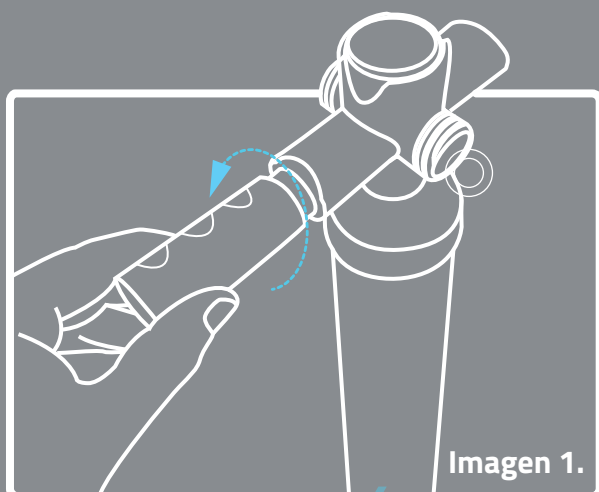
SWIFT MAXI

- Para usar la doble cámara del bombín, en función acción doble (el bombín infla o desinfla tanto en el movimiento ascendente como descendente usando las dos cámaras) gira la rueda en la parte frontal del bombín a la posición 1. **Imagen 1** - Utiliza esta función cuando añadas/elimines un gran volumen de aire rápidamente.
- Para usar la doble cámara del bombín, en función simple (el bombín sólo infla o desinfla en el movimiento descendente usando las dos cámaras) gira la rueda de la parte frontal del bombín a la posición 2, **Imagen 2**. Utiliza esta función cuando añadas/elimines un gran volumen de aire rápidamente pero cuando necesites hacerlo con mayor facilidad que con la doble cámara en función acción doble.
- Para usar una sola cámara del bombín, en función acción simple (el bombín sólo infla o desinfla en el movimiento descendente usando una sola cámara) gira la rueda del frontal del bombín a la posición 3, **Imagen 3**. Utiliza esta función cuando añadas/elimines aire a alta presión, al final del proceso de inflado.



DESMONTAJE DEL BOMBÍN

- Para minimizar el tamaño del bombín, separa las empuñaduras del bombín girándolas hacia la izquierda, Imagen 1 hasta que se desprendan completamente e introdúcelas en los dos soportes para las empuñaduras, Imagen 2.
- Para quitar la placa del pie, pisa la placa y gira el bombín hacia la izquierda agarrando las empuñaduras, Imagen 3.



COLOCACIÓN DE LA QUILLA SMART LOCK



TIPO DE QUILLA: Tu SUP cuenta con una Quilla US Box o con un Sistema de Quillas Smart Lock. Por favor, comprueba qué tipo de quilla tienes y sigue las instrucciones necesarias. **CONSEJO:** Antes de empezar, por favor, asegúrate de que la ranura para la quilla está limpia y libre de arena y porquería.



QUILLA SMART LOCK

QUILLA US BOX

Sistema de Quillas Smart Lock



- Introduce la quilla en su ranura por el hueco del extremo, **Imagen 1.**
- Con firmeza, empuja el otro extremo de la quilla hacia abajo y fíjala en su lugar bajando el cierre hasta que oigas un click, **Imagen 2.**

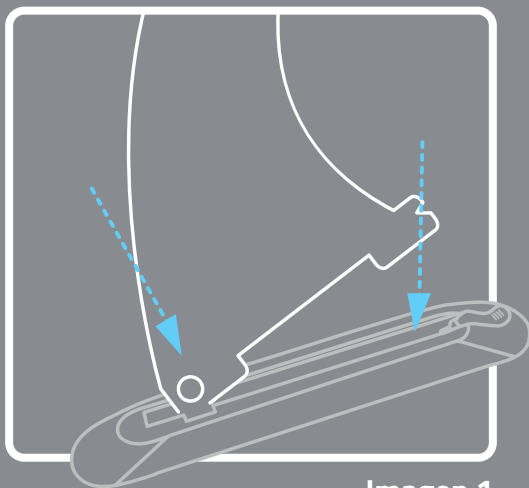


Imagen 1.

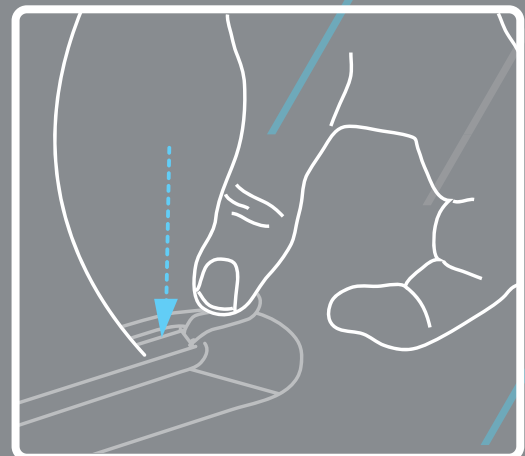


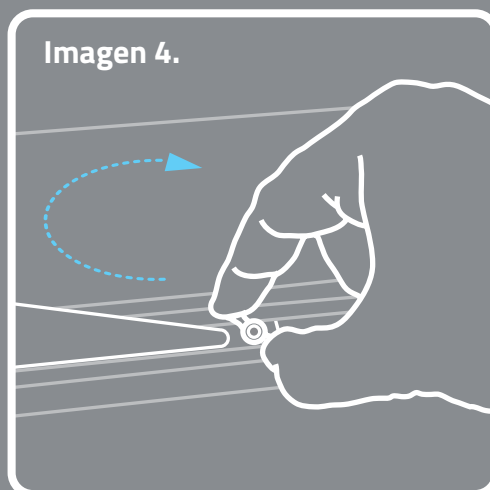
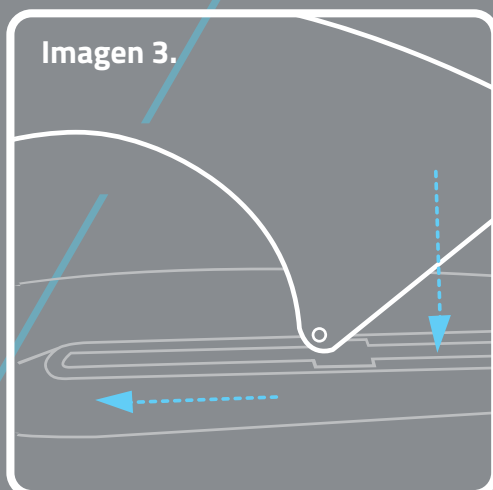
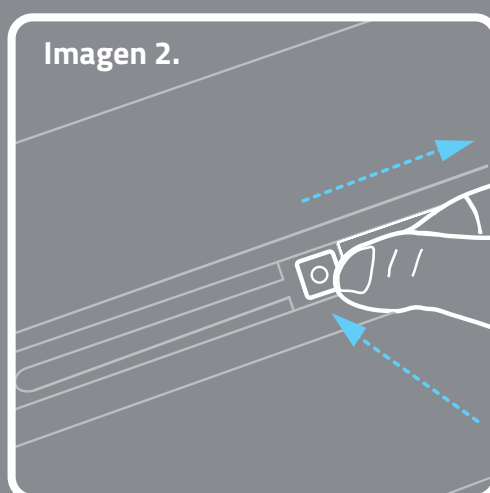
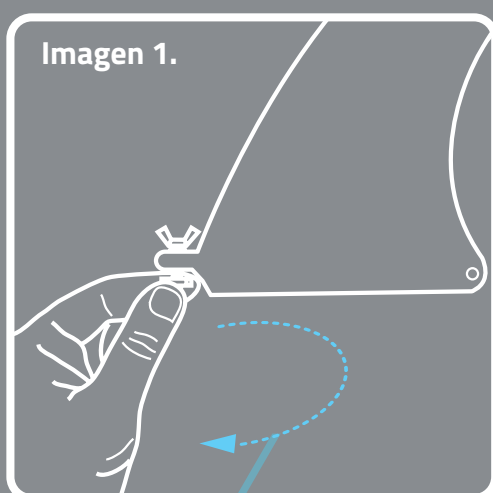
Imagen 2.

US BOX

FIN ATTACHMENT

Colocación De La Quilla Us Box

- Desatornilla la placa del tornillo, **Imagen 1** y colócala en la ranura de la quilla desde el hueco, **Imagen 2**. CONSEJO: Utiliza el tornillo para deslizar la placa en su lugar a lo largo de la ranura.
- Inserta la quilla en la ranura de la quilla por el hueco central, desliza la quilla hasta el final y, con firmeza, empuja el otro extremo hacia abajo, **Imagen 3**
- Alinéa el tornillo con la placa del tornillo y apriétala hasta que quede totalmente segura, **Imagen 4**.



MONTAJE DEL REMO



REMO DE SUP: Tu remo de 3 piezas se monta fácilmente y es regulable en altura. Su empuñadura ergonómica debería agarrarse como se muestra en la Imagen 1. El logo de Bluefin debe aparecer en la parte frontal de la caña del remo cuando remas, **Imagen 2**.

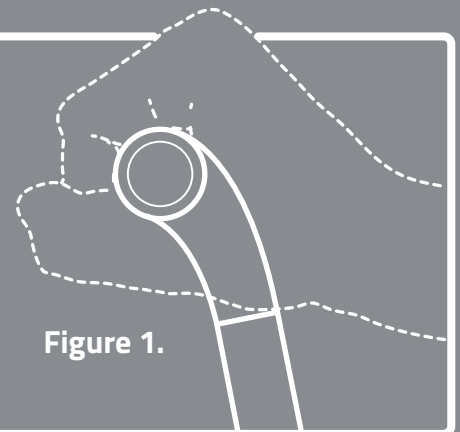


Figure 1.

Estructura del Remo



- Usa el remo en la correcta posición, con el logo de Bluefin en la parte frontal de la caña del remo, **Imagen 2**. La longitud del remo debería ajustarse a unos 15 cm por encima de la cabeza del usuario, **Imagen 3**.

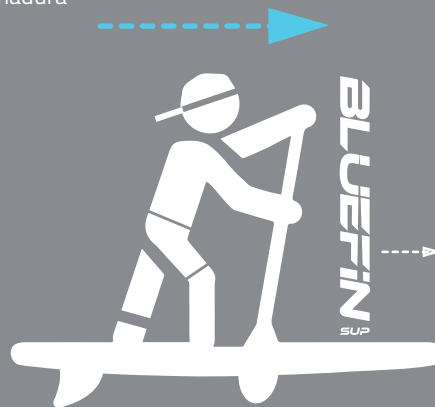


Imagen 2.

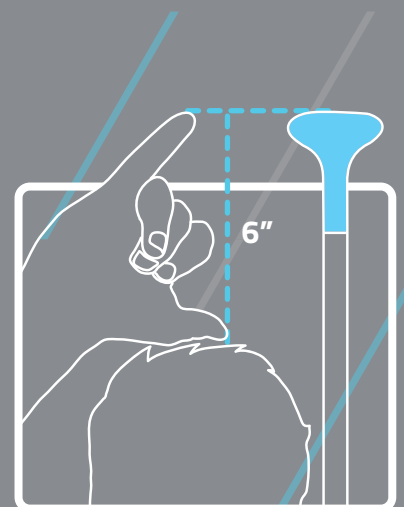
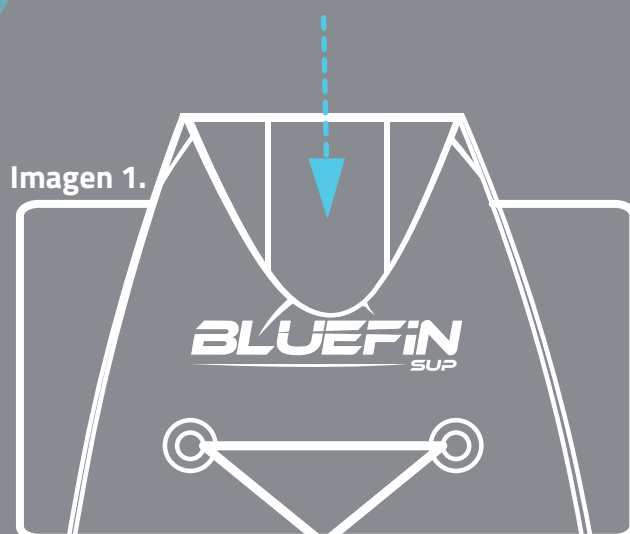


Imagen 3.

RECOGIDO

- Antes de desinflar la tabla, por favor, saca la quilla central grande y asegúrate de que esté limpia y libre de arena y porquería. Pásale una manguera a la tabla si es necesario para evitar la aparición de manchas de humedad al guardarla. No uses productos químicos fuertes para limpiarla. La suciedad se puede eliminar con un detergente neutro y agua.
- Desinfla cada válvula de la SUP sacándole la tapa. Después, puedes eliminar algo de presión presionando ligeramente el pasador. CONSEJO: Aleja la cara de la válvula cuando empiece a salir el aire.
- Para desinflar completamente la tabla, por favor, presiona con firmeza el pasador y gira la rueda en cualquier dirección para fijarla. Tu tabla se desinflará rápidamente.
- Para asegurarte de que la tabla se desinfla completamente, puedes arrodillarte con cuidado sobre ella y gatear, o sentarte sobre algunas partes de la tabla, para hacer que el aire remanente salga. Una vez que se haya desinflado completamente, por favor, vuelve a colocar las tapas de las válvulas en su lugar.
- Para guardar tu tabla de forma compacta, tu tabla debería estar tan plana como sea posible. Una vez que lo hayas hecho, por favor, enrolla y dobla la tabla desde la punta hacia la cola, **Imagen 1**.
- Por favor, introduce y guarda tu SUP en la mochila que se incluye en un lugar fresco y seco, evitando la luz directa del sol.

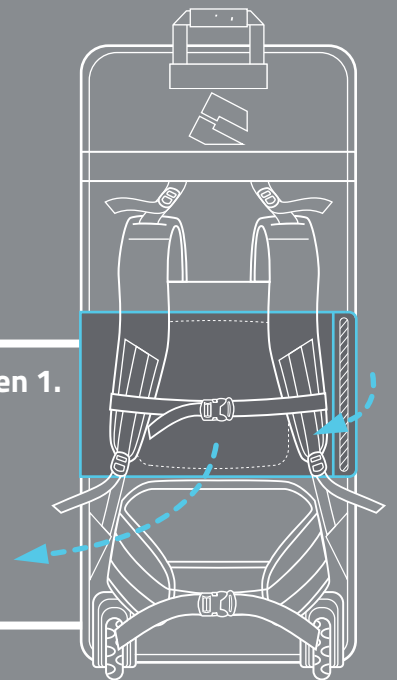


RECOGIDO EN MOCHILA CARBON



MOCHILA CARBON: El siguiente elemento sólo está disponible para tablas modelo Carbon. Es para evitar que las correas de transporte se arrastren por el suelo al transportarla sobre ruedas.

Imagen 1.



- Levanta la solapa de velcro, Imagen 1 y separa la sección central del acolchado para levantar la solapa de la correa. **Imagen 2.**
- Desdobra la solapa de la correa para crear un panel para las correas de transporte de tal forma que queden tapadas y fijas con la tira de velcro. **Imagen 3.**
- Presiona hacia abajo la tira de velcro para completar y fijar la solapa de velcro, Imagen 4.
- Para desdoblar la solapa de las correas de transporte y usarlas, sigue los mismos pasos al revés.

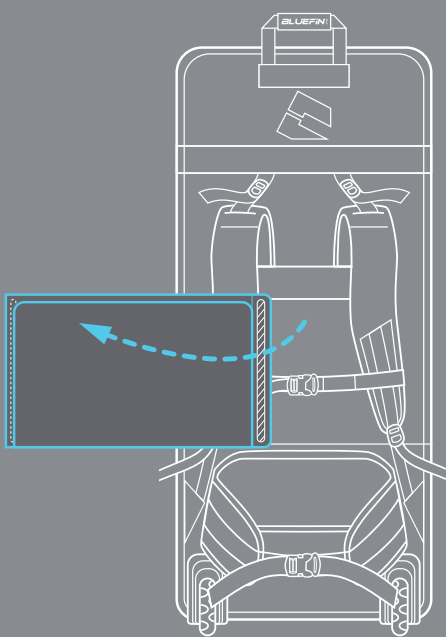


Imagen 2.

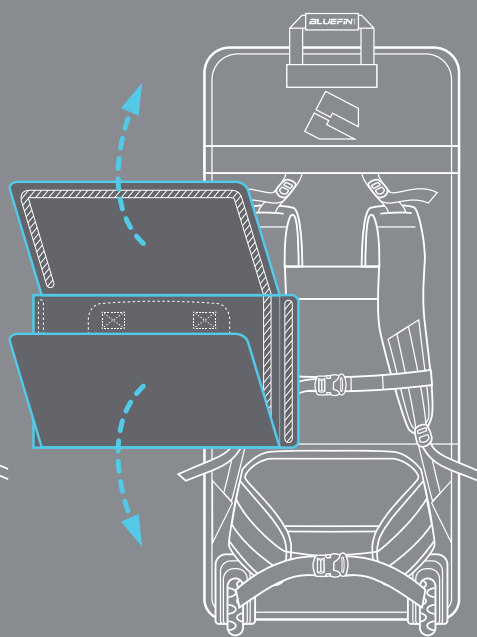


Imagen 3.

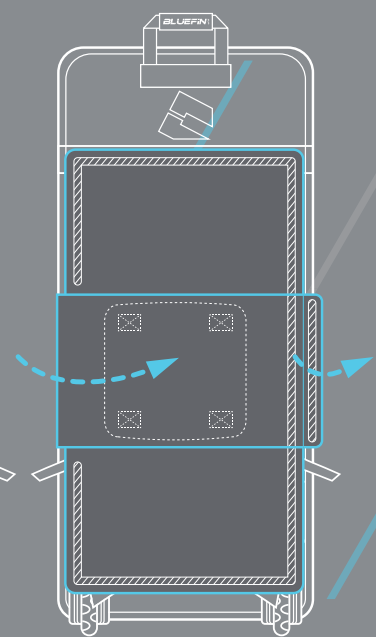


Imagen 4.

RECOGIDO EN MOCHILA NXT

MOCHILA NXT: El siguiente elemento sólo está disponible para tablas modelo Carbon. Convierte la mochila SUP en un saco de transporte dándole la vuelta a la mochila metiéndola en el bolsillo exterior.



- Abre el bolsillo exterior frontal de la mochila y dale la vuelta de dentro afuera. **Imagen 1**
- Una vez que hayas introducido la mochila en el bolsillo frontal, tendrás un pequeño saco de transporte con la mochila dentro, **Imagen 2**. Se puede ver el logo NXT en el exterior del saco.
- Para reducir más el tamaño del saco, enrolla la parte superior del saco hacia abajo usando la cinta como guía. Deja las hebillas fuera en los laterales de la mochila y conéctalas cuando la enrolles, **Imagen 3**.

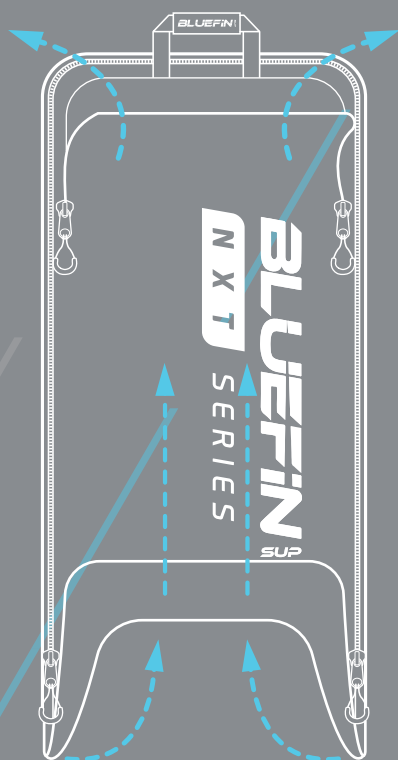


Imagen 1.

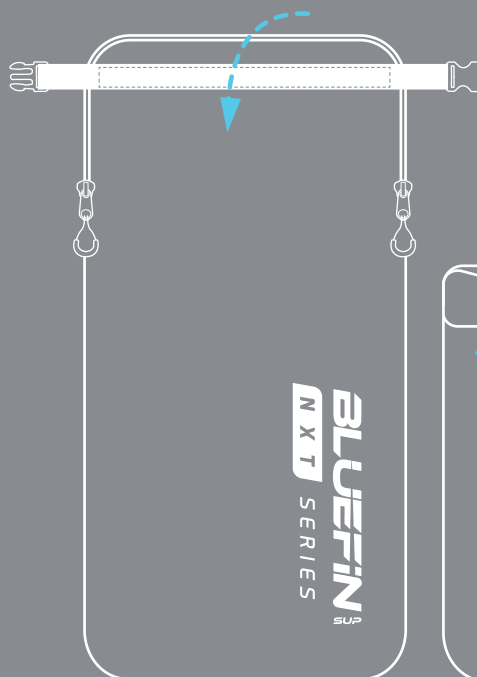


Imagen 2.

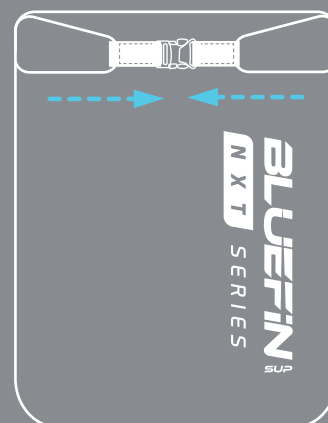


Imagen 3.

SEGURIDAD Y CUIDADOS

- Por tu propia seguridad, por favor, colócate siempre el invento espiral en tu pierna o tobillo en todo momento. Fija el extremo a la anilla-D de la cola de la tabla y la tira de velcro a tu pierna o tobillo.
- Mientras remas, por favor, usa la ropa adecuada según el tiempo o clima. Es muy recomendable usar un dispositivo de flotación o un chaleco salvavidas o cualquier otro elemento de flotación personal, y un traje de neopreno si el clima es frío.
- Mantén la hidratación llevando una botella de agua en la zona de equipaje. Puedes colocar una bolsa o nevera bajo las gomas de equipaje fácilmente.
- Guarda tu teléfono móvil en la funda estanca que se incluye. También puedes llevar un silbato o una linterna por si hubiera una emergencia.
- Tu tabla se puede expandir e inflar en exceso con temperaturas muy altas. Por favor, comprueba la presión de aire y desinfla tu tabla si fuera necesario.
- Por favor, guarda la SUP en la mochila que se incluye en un lugar fresco y seco evitando la luz directa del sol. Deberías limpiar y hacer mantenimiento de tu tabla cada vez que la uses. Pásale una manguera si es necesario para evitar la aparición de manchas de humedad al guardarla. No uses productos químicos agresivos para limpiarla. La suciedad se puede eliminar con un detergente neutro y agua.
- Se incluye un kit de reparación, con parches y una llave para las válvulas. De vez en cuando la válvula puede necesitar que se apriete para evitar fugas de aire. Para apretar la válvula primero asegúrate de que la tabla está completamente desinflada. Inserta la llave en la válvula y empuja hacia arriba desde la parte inferior de la tabla para asegurarte de que la válvula se ajusta con firmeza a la rosca. Después, gira la llave hacia la derecha hasta que la válvula esté bien apretada y segura.
- Por favor, asegúrate de que no entra agua en tu tabla ya que puede causar daños a tu tabla. Si entra agua en la válvula, por favor, saca la válvula con la llave que se incluye. Elimina el agua y seca bien antes de volver a colocar la válvula y volver a inflar.

IDENTIFICACIÓN

Fallo	Inspección	Solución
Mi bombín no funciona.	Comprueba si el tubo está atascado o tiene algún daño.	Elimina cualquier obstrucción del tubo o cámbialo si está dañado.
	La conexión del Tubo / Bombín / Válvula de Inflado no es segura.	Suspende el inflado, comprueba que todas las conexiones son seguras y vuelve a instalarlas si es necesario.
	El indicador de PSI no funciona.	El valor de PSI no se muestra normalmente hasta que alcanza 7 PSI. Si el problema persiste, por favor, ponte en contacto con nosotros. También puedes encontrar otros recursos en www.bluefinsupboards.com/info-zone/maintenance-repair/
Mi tabla tiene un pinchazo / fuga	Con la tabla inflada, pon jabón líquido en un paño y pásalo sobre la válvula	Si aparecen burbujas, seguramente la válvula necesita que la aprietes con la llave que se incluye. Desinfla tu tabla, sujeta la tuerca desde la parte inferior de la tabla, inserta la llave de la válvula y gira hacia la derecha hasta que la válvula esté bien apretada y segura.
	Con la tabla inflada, pon jabón líquido en un paño y pásalo sobre la cubierta de la tabla y los laterales.	Si aparecen burbujas en las uniones y en la cubierta, puedes reparar fácilmente un pinchazo con los parches que se incluyen y un adhesivo fuerte. Aplica el adhesivo tanto en la zona afectada de la tabla como en el reverso del parche. Espera a que el adhesivo esté pegajoso antes de colocar el parche. CONSEJO: Puedes dar calor a la zona con un secador de pelo para acelerar el proceso de secado.
		Si el problema persiste, por favor, ponte en contacto con nosotros. Puedes encontrar más recursos en www.bluefinsupboards.com/info-zone/maintenance-repair/

IDENTIFICACIÓN

Fault	Inspection	Solution
Una o varias de mis anillas-D se ha despegado o se han caído.	Se ve claramente un bulto en la parte inferior de la tabla, por debajo de la válvula.	Usa un adhesivo fuerte para volver a colocar la anilla-D, compra una nueva anilla-D o ponte en contacto con nosotros para suministrarte una. Si el problema persiste, por favor, ponte en contacto con nosotros en sup-support@bluefintrading.co.uk . Puedes encontrar más recursos en www.bluefinsupboards.com/info-zone/maintenance-repair/
Hay un bulto en la parte inferior de mi tabla.	Se ve claramente un bulto en la parte inferior de la tabla por debajo de la válvula.	No te preocupes. Esto suele ocurrir en todas las tablas de paddle surf. A veces queda tapado por la caja de la quilla u otro elemento, pero queda a la vista en otros modelos. Se debe a una separación de las puntadas libres para hacer espacio para la válvula. No afecta en absoluto al funcionamiento o la calidad de tu SUP.
No puedo meter mi SUP en su mochila.	La tabla está muy apretada y no parece caber en la mochila.	Desenrolla la SUP y asegúrate de que has eliminado todo el aire. Puedes gatear sobre la tabla o aplicar algún tipo de presión. Dobla la SUP en tramos de aproximadamente 30 cm y vuelve a meterla en la mochila. En algunos modelos grandes, doblar los laterales hacia el interior puede facilitarte la operación. Si el problema persiste, por favor, ponte en contacto con nosotros en sup-support@bluefintrading.co.uk . Puedes encontrar más recursos en www.bluefinsupboards.com/info-zone/maintenance-repair/

IDENTIFICACIÓN

Fault	Inspection	Solution
La quilla no encaja en la caja de la quilla.	La caja de la quilla se ha deformado y no puedo encajar la quilla.	Calienta el plástico de la caja de la quilla con un secador de pelo, lo cual te permitirá encajar de nuevo la quilla. Deja la quilla en la caja de la quilla durante unas horas para que recupere su forma. Si el problema persiste, por favor, ponte en contacto con nosotros en sup-support@bluefintrading.co.uk . Puedes encontrar más recursos en www.bluefinsupboards.com/info-zone/maintenance-repair/
Siempre pierdo la quilla ¿Por qué es tan pesada?	Comprueba si la caja de a quilla está dañada y examina de nuevo la fijación de la quilla.	El peso de la quilla mejora el manejo y maniobrabilidad de la tabla, especialmente en condiciones difíciles. Por favor, fija bien tu sistema de quillas para evitar su pérdida o daño. Para una quilla de repuesto, por favor, visita www.blufinsupboards.com
A mi SUP le ha entrado agua o humedad.	Se requiere acción inmediata.	Saca completamente la válvula de la tabla con la llave que se incluye. Bombea aire por el agujero vacío repetidamente durante 20 minutos. Después, estira la tabla sobre una superficie fresca y seca en una zona con mucha ventilación durante al menos 24 horas. Si el problema persiste, por favor, ponte en contacto con nosotros en sup-support@bluefintrading.co.uk . Puedes encontrar más recursos en www.bluefinsupboards.com/info-zone/maintenance-repair/

BLUEFIN
SUP

COBERTURA DE DAÑOS



bluefinsupboards.com



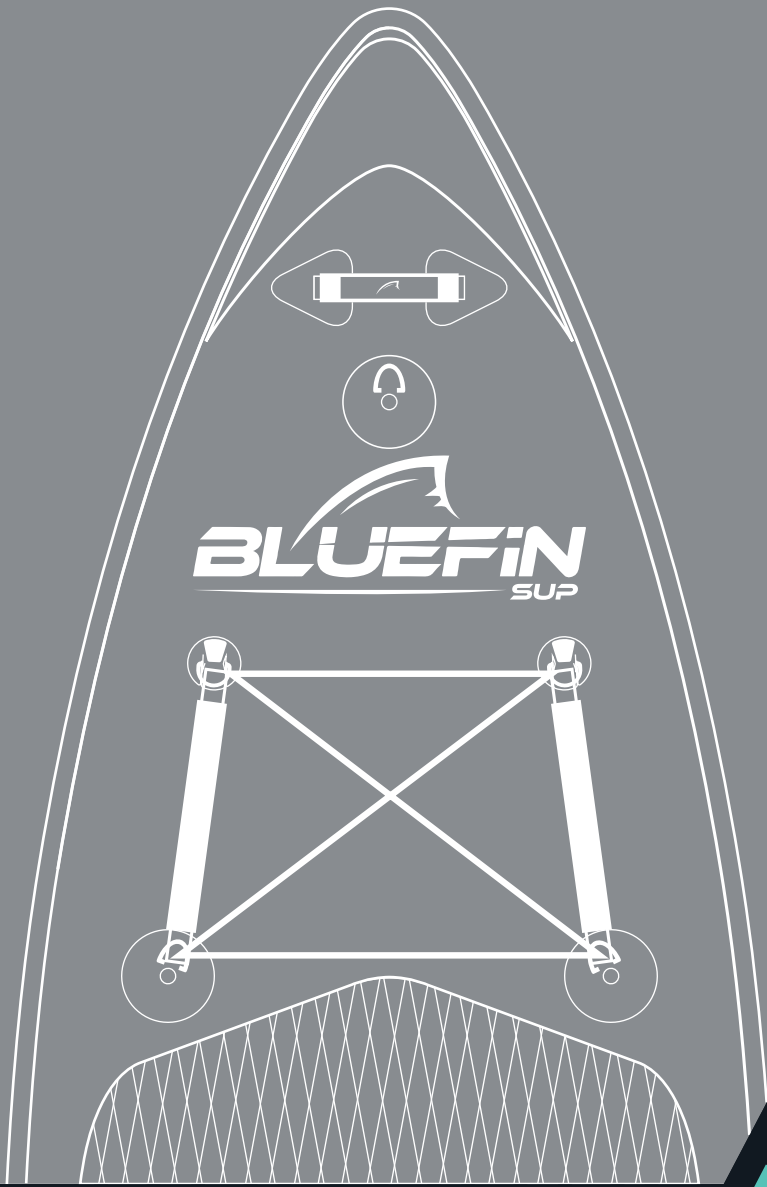
BLUEFIN SUP GARANTÍA EXTENDIDA |
GARANTÍA EXTENDIDA |



REGISTRA TU GARANTÍA



o visita Bluefinsupboards.com/es/activa



PLANCHES DE PADDLE GONFLABLES

MANUEL
D'UTILISATION



CONTENU

Bienvenue	2
Processus de gonflage	3
Processus de gonflage pour Carbon	4
Processus de gonflage pour Voyage	5
Pompe Swift Pro	6
Pompe Swift Maxi	8
Démontage de la pompe	10
Attacher l'aileron Smart Lock	11
Attacher l'aileron US Box Fin	12
Assemblage de la pagaie	13
Dégonflage de la planche	14
Protection des sangles - Sac Carbon	15
Sac NXT	16
Sécurité et entretien	17
Dépannage	18
Garantie	21

BIENVENUE AU CLUB

Bonjour,

Bienvenue dans la communauté Bluefin SUP ! Nous sommes ravis de vous avoir à bord. Votre voyage avec nous ne s'arrête pas là.

En tant que membre de notre communauté, vous avez droit à de nombreux avantages, y compris l'assistance à vie de notre service client et une garantie prolongée sur tous nos produits. Pensez à activer votre garantie en scannant le code QR (voir "Garantie") ou en visitant notre site Web.

Nous espérons que vous apprécierez votre produit et que vous choisirez d'explorer la gamme complète de SUP Bluefin. Pour tirer le meilleur parti de votre produit, nous vous recommandons de lire et de vous reporter au contenu de ce manuel.

Vous pouvez également trouver de l'aide et des ressources supplémentaires sur www.bluefinsupboards.com.

L'équipe Bluefin SUP

PROCESSUS DE GONFLAGE



ATTENTION : Veuillez utiliser uniquement la pompe fournie ou une pompe recommandée pour votre SUP. N'UTILISEZ PAS de compresseur d'air car vous risqueriez de surgonfler la planche et de l'endommager sans réparation possible. Votre garantie sera annulée en cas de dommages causés par un surgonflage.

- Déballiez et déroulez votre SUP Bluefin sur une surface lisse, propre et plane.
- Connectez le robinet d'air de votre pompe à la valve de gonflage de votre SUP. Poussez fermement le robinet d'air vers l'intérieur et tournez dans le sens des aiguilles d'une montre pour sécuriser la connexion. **Figure 1**
- Avant de commencer à pomper, veuillez consulter le PSI recommandé sur la ou les valves de votre SUP et gonflez à la valeur appropriée. Faites attention de NE PAS SURGONFLER votre SUP
- Le PSI peut ne pas s'enregistrer sur votre pompe jusqu'à ce que vous atteigniez au moins 7 PSI - continuez à pomper !
- Une fois la pression d'air souhaitée atteinte, veuillez déconnecter en toute sécurité le robinet d'air de votre pompe et fixer la valve sur votre SUP.

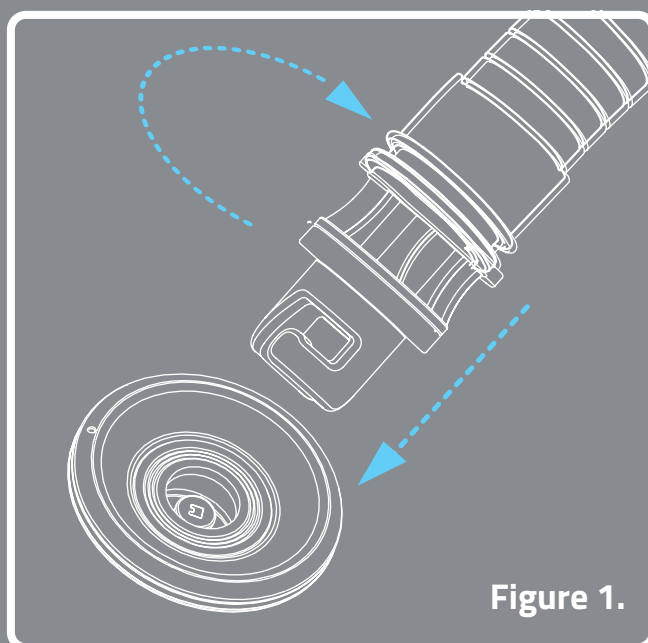


Figure 1.

PROCESSUS DE GONFLAGE POUR CARBON



ATTENTION : Veuillez utiliser uniquement la pompe fournie ou une pompe recommandée pour votre SUP. N'UTILISEZ PAS de compresseur d'air car vous risqueriez de surgonfler la planche et de l'endommager sans réparation possible. Votre garantie sera annulée en cas de dommages causés par un surgonflage.

- Pour les planches Carbon avec une configuration de gonflage à double chambre, gonflez d'abord la chambre intérieure au centre de la planche. **Figure 2** Gonflez au PSI recommandé. **Figure 3**
- Ensuite, gonflez la valve de la chambre extérieure à la queue de la planche - **Figure 1** - au PSI recommandé noté autour de la valve. **Figure 3**

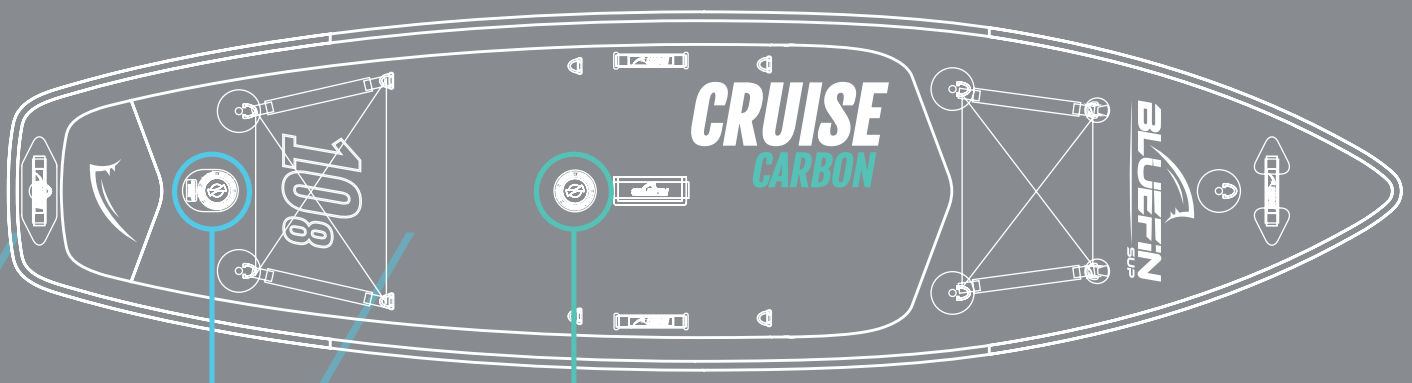


Figure 1.
(Gonflez d'abord)

Figure 2.
(Gonflez ensuite)

Figure 3.



PROCESSUS DE GONFLAGE POUR VOYAGE

ATTENTION : Veuillez utiliser uniquement la pompe fournie ou une pompe recommandée pour votre SUP. N'UTILISEZ PAS de compresseur d'air car vous risqueriez de surgonfler la planche et de l'endommager sans réparation possible. Votre garantie sera annulée en cas de dommages causés par un surgonflage.

- Pour les planches Voyage avec deux chambres de rails latéraux, gonflez d'abord la chambre intérieure - **Figure 1** - au PSI recommandé comme indiqué autour de la valve. **Figure 3**
- "Deuxièmement, gonflez les deux chambres de rail latéraux - **Figure 2** - au PSI recommandé noté autour de la valve. **Figure 4**

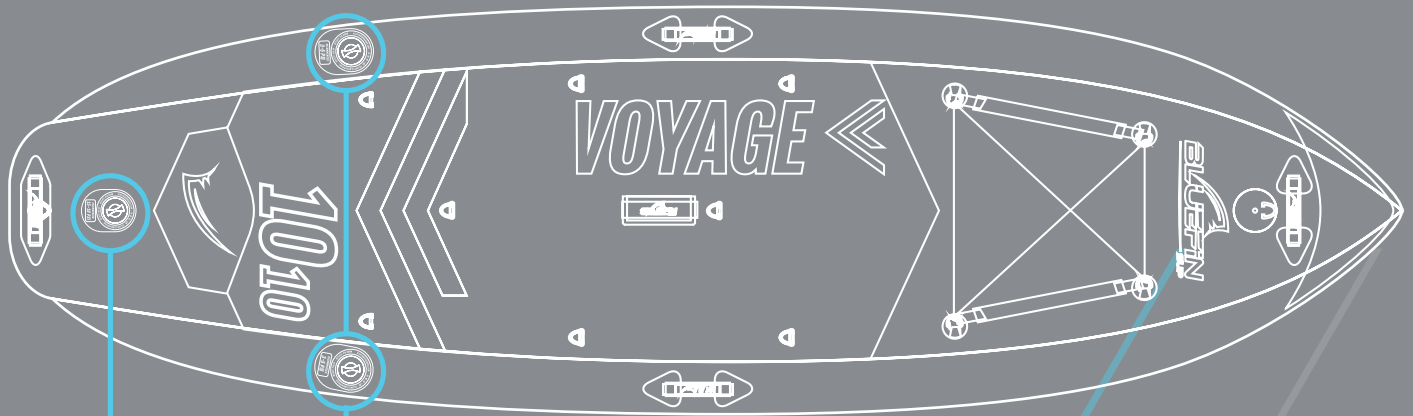


Figure 1.
(Gonflez d'abord)

Figure 2.
(Gonflez ensuite)

Figure 3.

Figure 4.



POMPE

SWIFT PRO



TYPE DE POMPE : Votre SUP sera livré avec une pompe à chambre unique **Figure 1** ou une pompe à chambre double. **Figure 2** Veuillez vérifier votre type de pompe et suivez les instructions de gonflage



Figure 1.

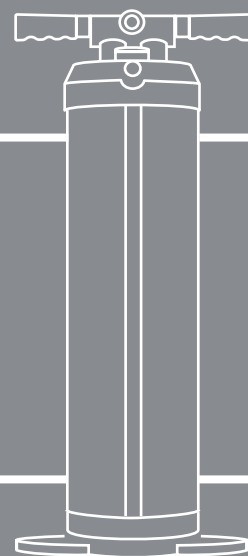


Figure 2.

Pompe à chambre unique



- Pour utiliser la pompe pour le gonflage, fixez le tuyau en tournant dans le sens des aiguilles d'une montre sur la sortie d'air de la pompe étiquetée inflats - **Figure 3**. Pour utiliser la pompe pour le dégonflage, fixez le tuyau en tournant dans le sens des aiguilles d'une montre sur la sortie d'air de la pompe étiquetée deflate. **Figure 4**

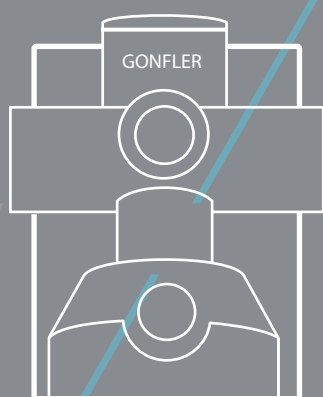


Figure 3.

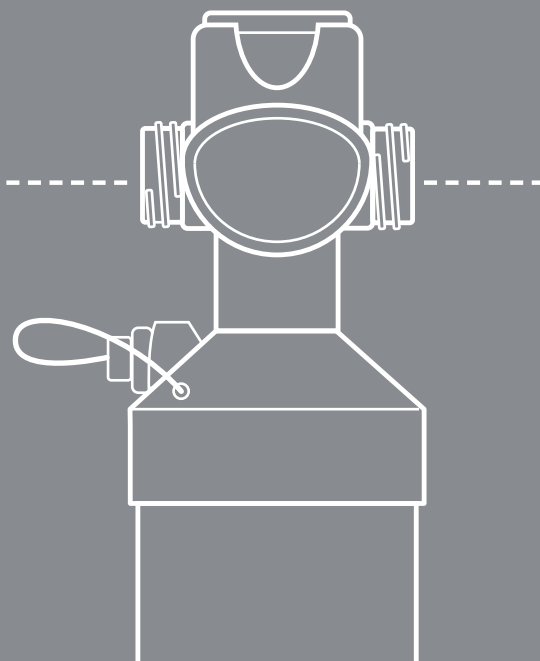
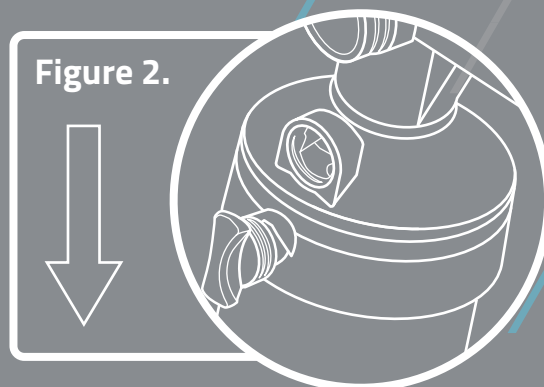
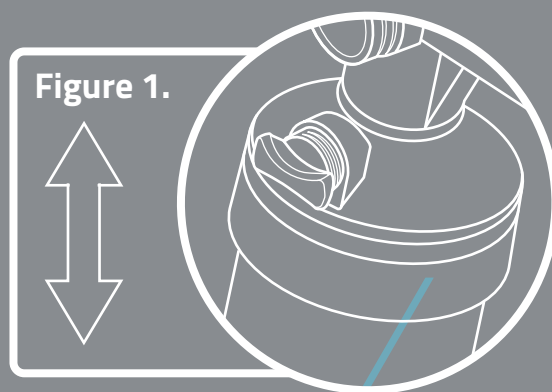
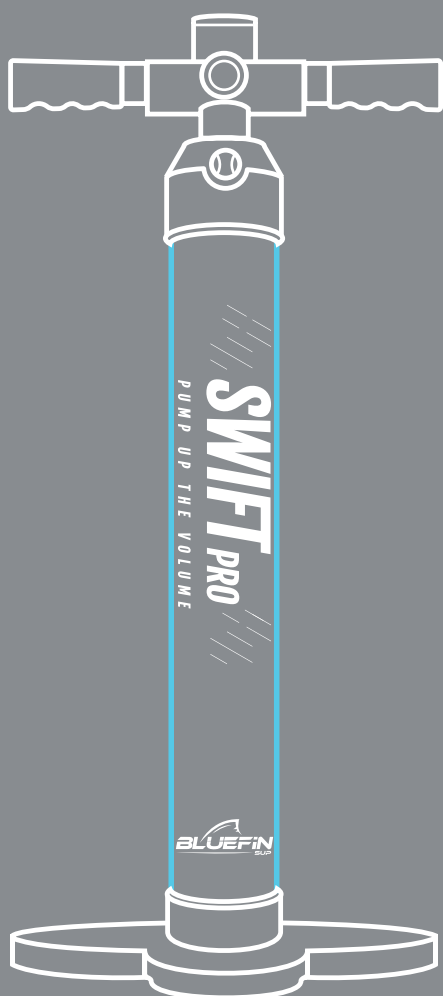


Figure 4.

POMPE SWIFT PRO

- Pour utiliser la pompe en mode double action (la pompe gonflera ou dégonflera à la fois lors de coups de pompe ascendants et descendants) assurez-vous que l'attachement est fixé dans l'entrée en tournant dans le sens des aiguilles d'une montre jusqu'à ce qu'il soit serré pleinement. **Figure 1 - Utilisez cette fonction pour ajouter/supprimer rapidement de grands volumes d'air.**
- Pour utiliser la pompe en mode simple action (la pompe ne gonflera ou dégonflera que lors d'un coup de pompe vers le bas), retirez l'attachement en le tournant dans le sens inverse des aiguilles d'une montre jusqu'à ce que l'entrée soit ouverte et libre. **Figure 2 - Utilisez cette fonction lors du gonflage à haute pression, à la fin du processus de gonflage.**



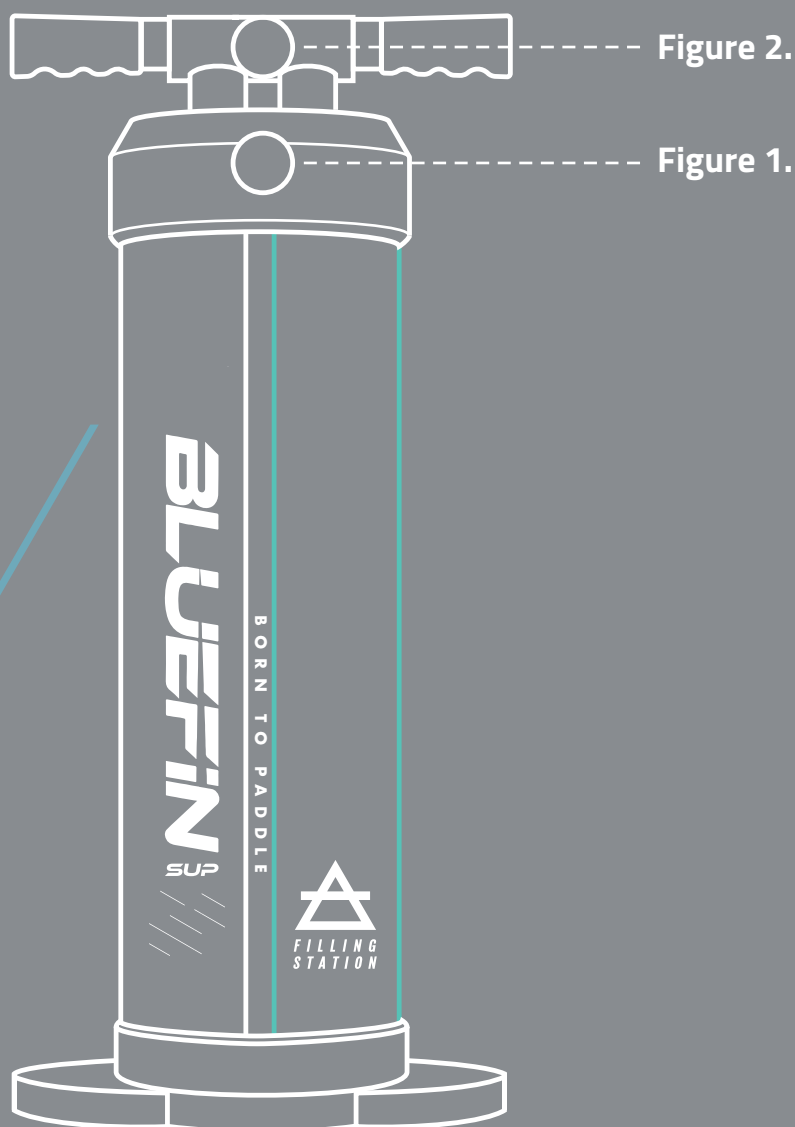
POMPE

SWIFT MAXI

Pompe à double chambre

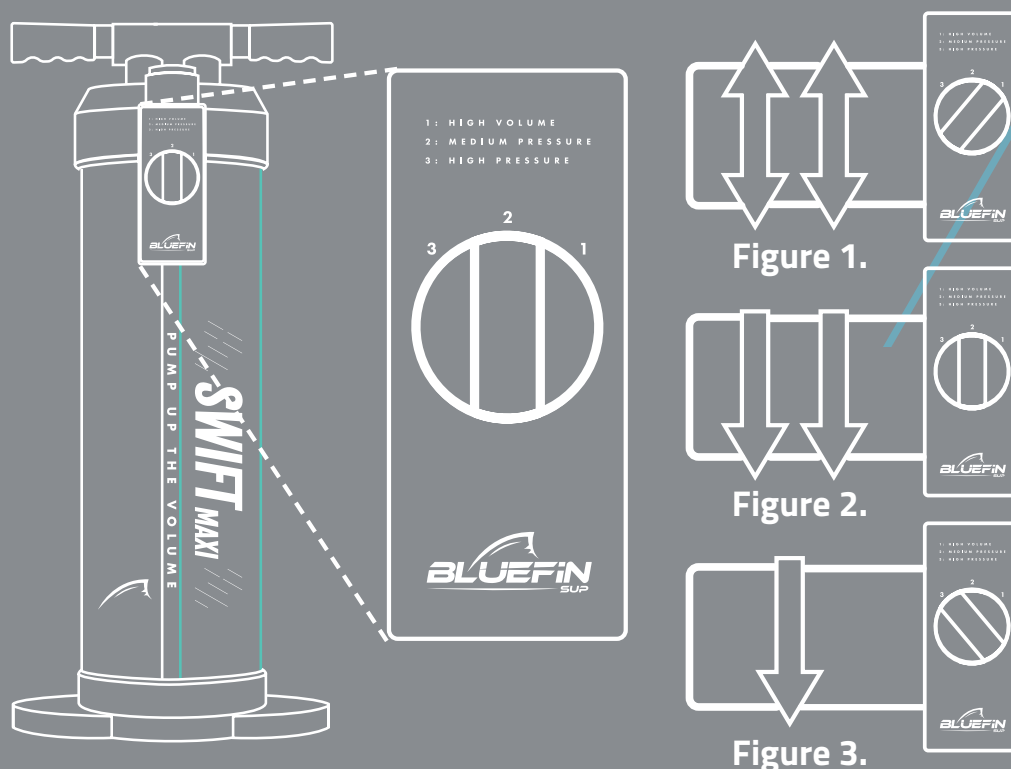


- Pour utiliser la pompe pour le gonflage, fixez le tuyau en tournant dans le sens des aiguilles d'une montre sur la sortie d'air de la pompe étiquetée "Inflate" - **Figure 1** ou pour utiliser la pompe pour le dégonflage, fixez le tuyau en tournant dans le sens des aiguilles d'une montre sur la sortie d'air de la pompe étiquetée "Deflate". **Figure 2**



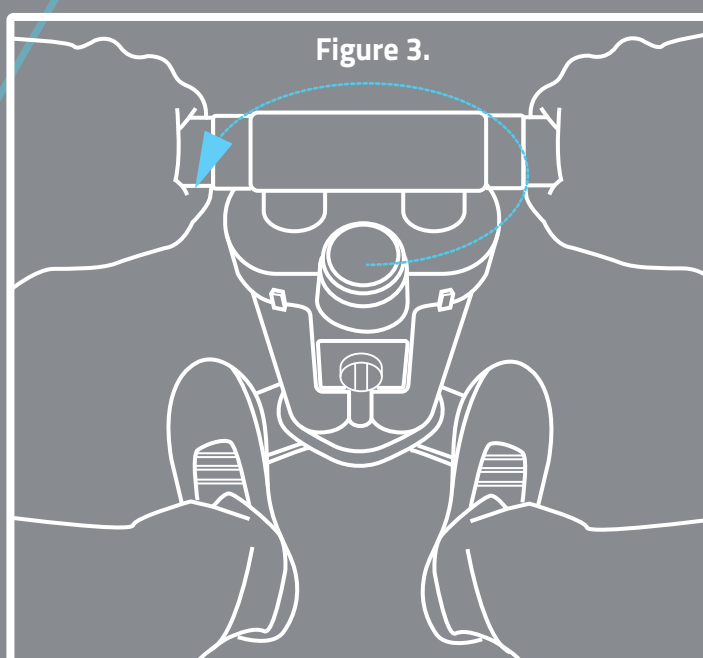
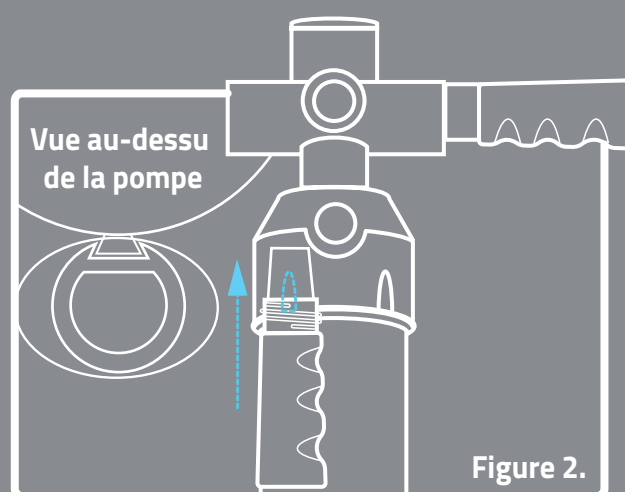
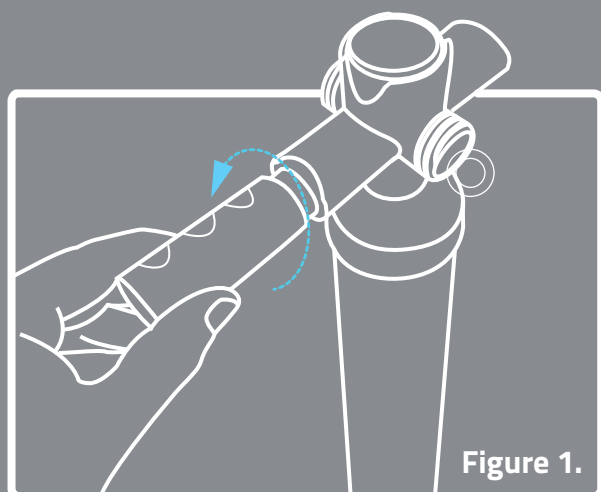
POMPE SWIFT MAXI

- Pour utiliser la pompe en mode double chambre, double action (la pompe gonfle ou dégonfle à la fois lors de coups de pompe ascendants et descendants en utilisant les deux chambres) tournez le cadran sur la face avant de la pompe, option 1. **Figure 1 - Utilisez cette fonction pour ajouter/supprimer rapidement de grands volumes d'air.**
- Pour utiliser la pompe en double chambre, en mode simple action (la pompe ne gonflera ou dégonflera que lors d'un coup de pompe descendant en utilisant les deux chambres), tournez le cadran sur la face avant de l'option de pompe 2. **Figure 2 - Utilisez cette fonction lorsque vous ajoutez/retirez rapidement de grands volumes d'air pour plus de facilité que le mode double chambre, double action.**
- Pour utiliser la pompe en mode chambre simple, action simple (la pompe ne gonflera ou dégonflera que lors d'un coup de pompe descendant à l'aide d'une seule chambre), tournez le cadran sur la face avant de l'option de pompe 3. **Figure 3 - Utilisez cette fonction lors de l'ajout/du retrait d'air à haute pression, à la fin du processus de gonflage.**



DÉMONTAGE DE LA POMPE

- Pour rendre la pompe plus compacte, retirez les poignées de la pompe en tournant dans le sens inverse des aiguilles d'une montre. **Figure 1** jusqu'à ce qu'elles soient complètement détachées et faites-les glisser sur les deux supports de poignée. **Figure 2**
- Pour retirer le repose-pieds, placez-vous sur la base et tournez la pompe dans le sens inverse des aiguilles d'une montre à l'aide des poignées. **Figure 3**



FIXATION D'AILERON SMART LOCK



TYPE D'AILERON : Votre SUP est équipé d'un système d'ailerons US Box ou Smart Lock. Veuillez vérifier votre type d'aileron et suivre les instructions nécessaires.

CONSEIL : Avant de commencer, assurez-vous que la fente du boîtier d'aileron est propre et exempte de sable et de gravier.



AILERON SMART LOCK

AILERON US BOX

Système d'aileron Smart Lock



Insérez l'aileron dans la fente du boîtier d'aileron via la fente d'extrémité. **Figure 1**

Poussez fermement l'autre extrémité de l'aileron vers le bas et verrouillez-la en place en poussant le fermoir d'extrémité vers le bas, assurez-vous d'entendre un clic audible. **Figure 2**

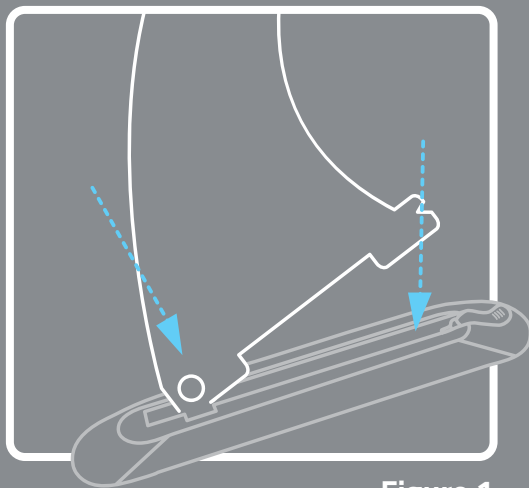


Figure 1.

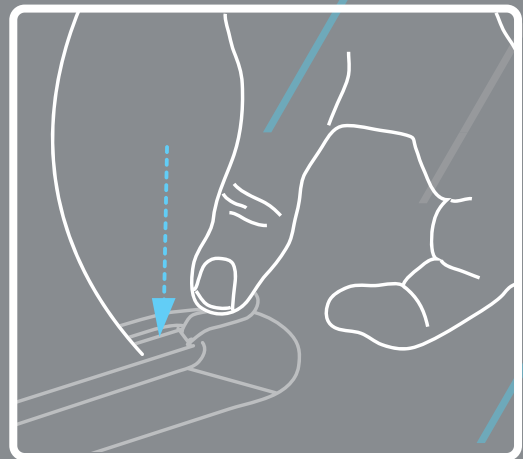
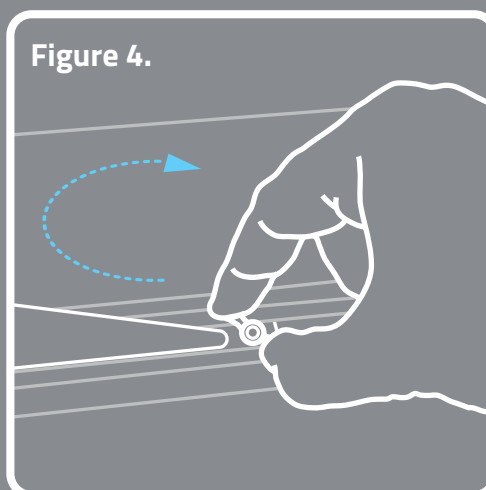
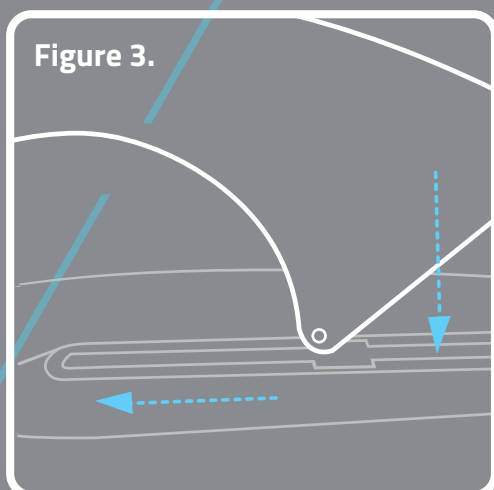
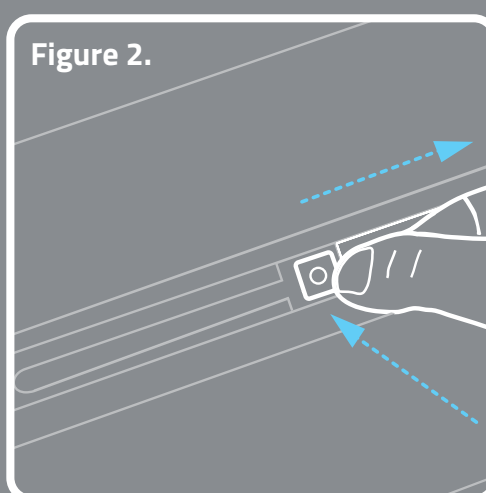
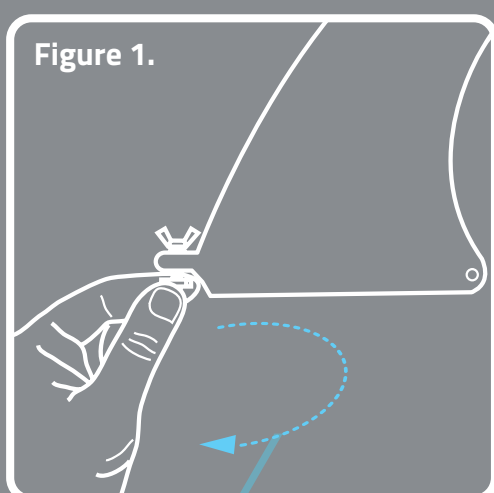


Figure 2.

FIXATION D'AILERON US BOX

Fixation d'aileron US Box

- Dévissez la plaque de la vis - Figure 1 - et placez-la dans la fente de l'aileron via l'espace - Figure 2. **CONSEIL : Utilisez la vis pour faire glisser la plaque en place le long de la fente**
- Insérez l'aileron dans la fente du boîtier d'aileron via l'espace central, faites glisser l'aileron vers l'arrière et appuyez fermement sur l'autre extrémité. **Figure 3**
- Alignez la vis avec la plaque à vis et serrez jusqu'à ce qu'elle soit bien fixée. **Figure 4**



ASSEMBLAGE DE LA PAGAIE



SUP PADDLE : Votre pagaie 3 pièces se connecte facilement et est entièrement réglable en hauteur. La poignée ergonomique doit être manipulée comme illustré en **Figure 1** - Le logo Bluefin doit être sur le devant du manche de la pagaie lorsque vous pagayez. **Figure 2**

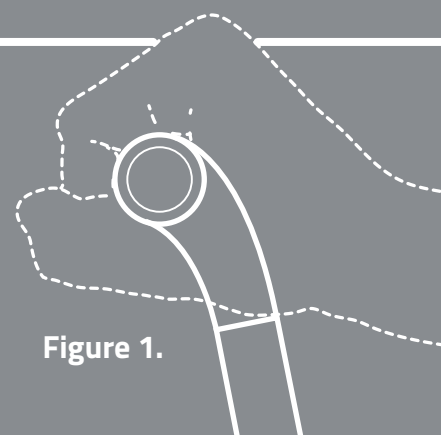


Figure 1.

Construction de pagaie



- Utilisez la pagaie dans le bon sens avec la marque Bluefin à l'avant du manche de la pagaie. **Figure 2**
- La longueur de la pagaie doit être ajustée à environ 6 pouces au-dessus de la tête de l'utilisateur. **Figure 3**

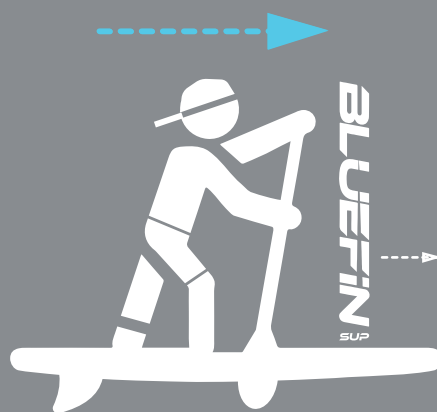
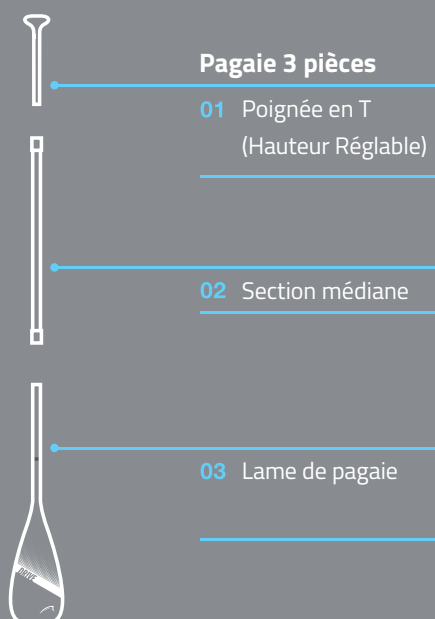


Figure 2.

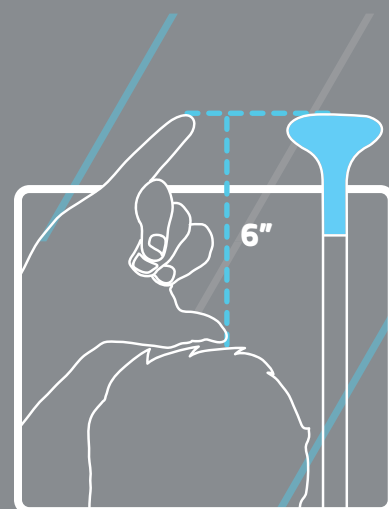
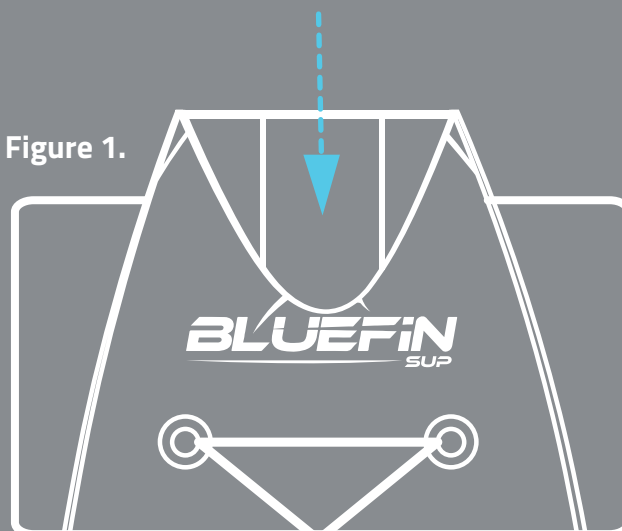


Figure 3.

DEGONFLAGE DE LA PLANCHE

- Avant de dégonfler la planche, veuillez retirer le grand aileron central et assurez-vous qu'il est propre et exempt de sable et débris. Arrosez si nécessaire pour éviter l'accumulation de moisissure pendant le stockage. N'utilisez pas de produits chimiques agressifs pour le nettoyage. La plupart des saletés peuvent être enlevées avec un savon doux et de l'eau.
- Dégonflez chaque valve du SUP en retirant d'abord le capuchon de la valve. Ensuite, vous pouvez relâcher un peu de pression en appuyant légèrement sur la punaise. **CONSEIL : Ne faites pas directement face à la valve lorsque vous libérez le souffle d'air initial.**
- Pour dégonfler complètement la planche, veuillez appuyer fermement sur la punaise et tourner le bouton dans n'importe quelle direction pour le verrouiller. Votre planche va maintenant se dégonfler rapidement.
- Pour assurer un dégonflage complet, vous pouvez soigneusement vous agenouiller et ramper, ou vous asseoir sur des parties de la planche pour forcer l'air restant à sortir. Une fois complètement dégonflée, veuillez rattacher les capuchons de valve.
- Pour un stockage compact, votre planche doit être aussi plate que possible. Une fois aplatie, veuillez rouler et plier la planche du nez vers le bas. **Figure 1**
- Veuillez emballer et stocker le SUP dans le sac à dos fourni dans un endroit frais et sec et à l'abri de la lumière directe du soleil.

Figure 1.

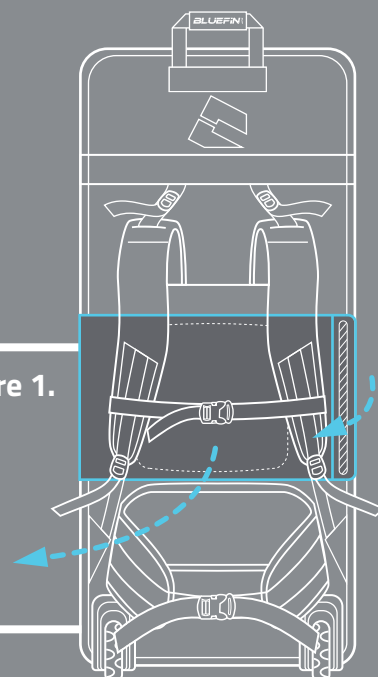


PROTECTION DES SANGLES SAC CARBON



SAC CARBON : l'option suivante n'est disponible que sur les modèles de sacs pour planches Carbon. C'est pour éviter que les sangles de transport ne traînent sur le sol lors du roulement du sac.

Figure 1.



- Soulevez la languette velcro Figure 1 et détachez la section centrale du rembourrage pour retirer le couvre-sangle. **Figure 2**
- Dépliez-le pour créer un panneau pour contenir les sangles de transport et fixez à l'aide de la bordure velcro. **Figure 3**
- Appuyez sur la bordure velcro pour terminer et refixer la languette velcro. **Figure 4**
- Pour replier le couvre-sangle et utiliser les sangles de transport, inversez les étapes.

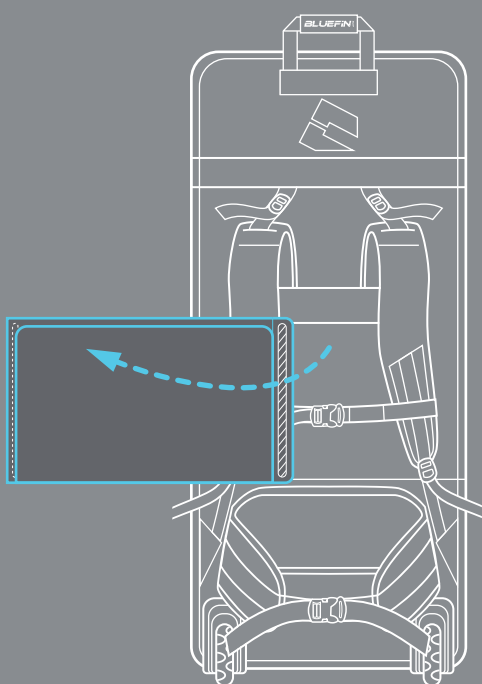


Figure 2.

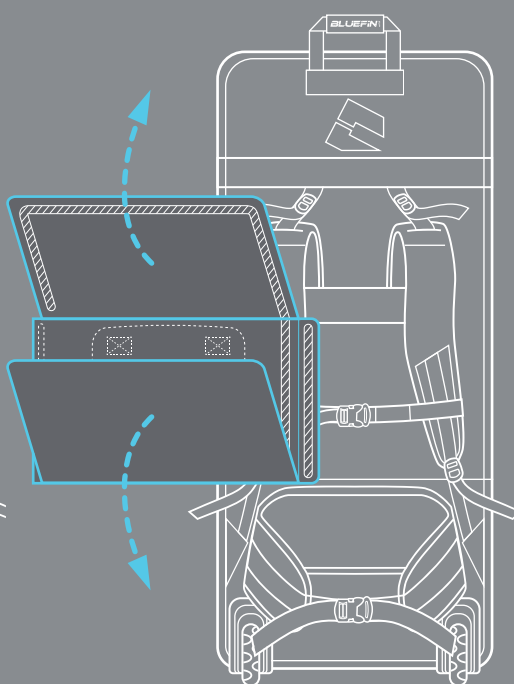


Figure 3.

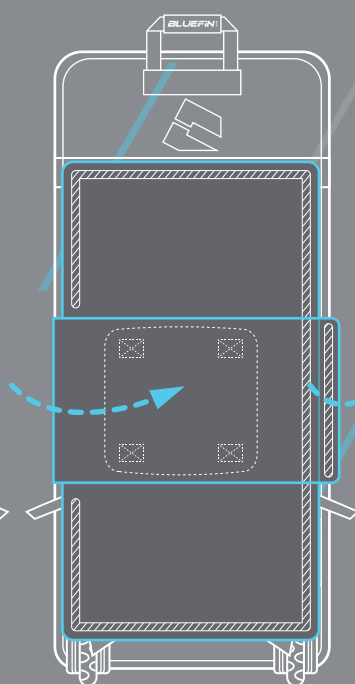
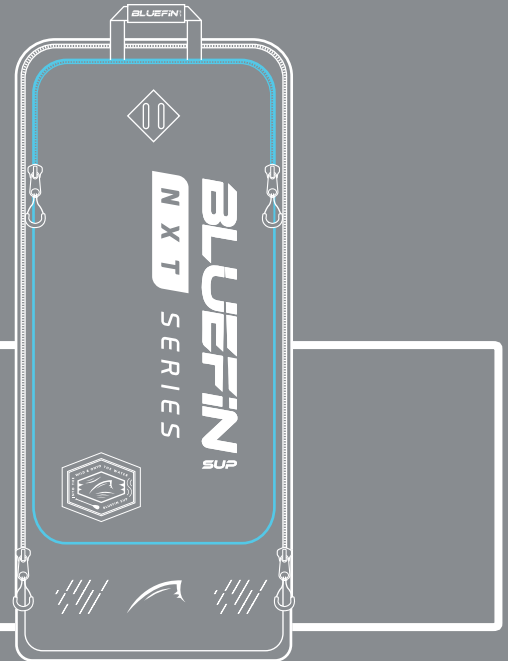


Figure 4.

SAC NXT

NXT SAC : La fonctionnalité suivante n'est disponible que sur les modèles de sac NXT. Transformez le sac SUP en sac de rangement en inversant le sac dans la poche extérieure.



- Ouvrez la poche avant extérieure du sac et commencez à tirer la poche à l'envers. **Figure 1**
- Une fois le sac inséré dans la poche avant, cela vous laissera un sac de rangement plus petit contenant le sac à l'intérieur. **Figure 2** La marque NXT devrait maintenant être visible à l'extérieur du sac de rangement.
- Pour réduire encore plus la taille du sac de rangement, enroulez le haut du sac vers le bas en utilisant la sangle comme guide. Laissez les boucles sur les côtés du sac et connectez-les une fois enroulés. **Figure 3**

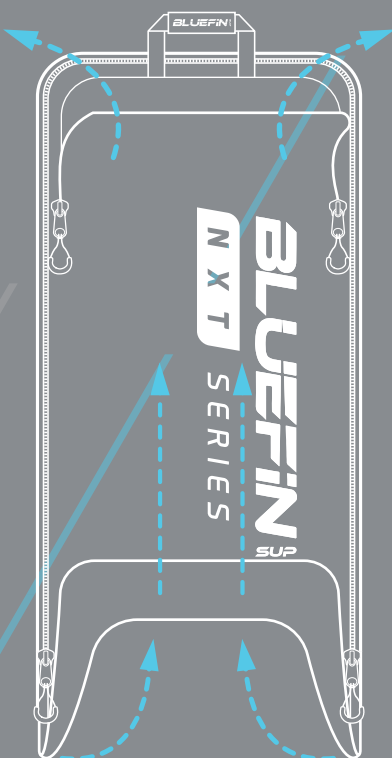


Figure 1.

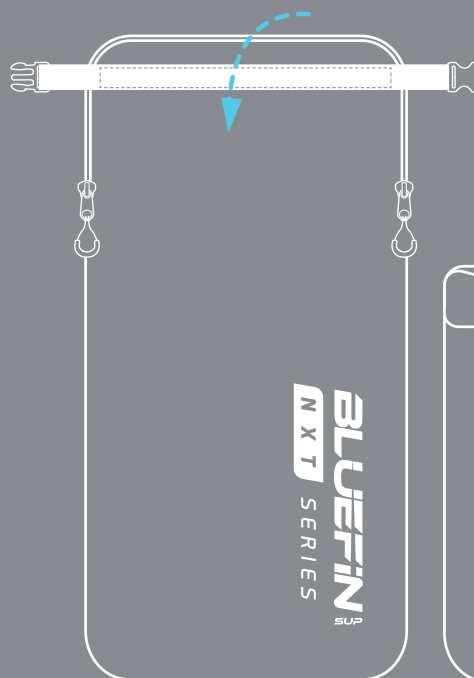


Figure 2.

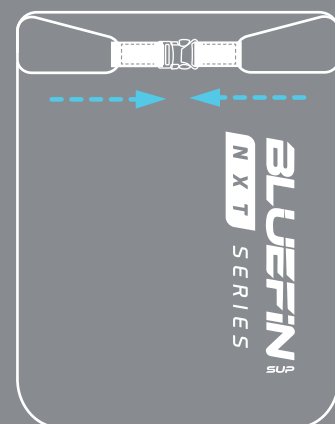


Figure 3.

SÉCURITÉ ET ENTRETIEN

- Pour votre propre sécurité, veuillez attacher la sangle fournie à votre mollet ou à votre cheville à tout moment. Fixez une extrémité à l'anneau en D à l'arrière de la planche et attachez solidement la sangle velcro à votre mollet ou à votre cheville.
- Pendant que vous pagayez, pensez à porter des vêtements appropriés au temps ou au climat. Il est fortement recommandé de porter un gilet de sauvetage ou un autre dispositif de flottaison personnel, et une combinaison de plongée dans des conditions plus fraîches.
- Restez hydraté en rangeant une bouteille d'eau dans votre espace de chargement. Vous pouvez facilement fixer un sac ou une glacière sous les élastiques de chargement.
- Rangez votre téléphone portable dans l'étui étanche fourni. Pensez également à emporter un sifflet ou une lampe de poche en cas d'urgence.
- Votre planche peut se dilater et surgonfler à des températures très élevées. Veuillez vérifier la pression d'air et dégonfler votre planche si nécessaire.

Veuillez emballer et ranger le SUP dans le sac à dos fourni, dans un endroit frais et sec et à l'abri de la lumière directe du soleil. Vous devez nettoyer et entretenir votre planche après chaque utilisation.

- Arrosez si nécessaire pour éviter l'accumulation de moisissure pendant le stockage. Ne pas utiliser produits chimiques agressifs pour le nettoyage. La plupart des saletés peuvent être enlevées avec un savon doux et de l'eau.
- Un kit de réparation est fourni, avec des patchs supplémentaires et un outil de serrage de valve. De temps en temps, votre valve peut avoir besoin d'être resserrée pour éviter toute fuite d'air. Pour serrer la valve, assurez-vous d'abord que la planche soit complètement dégonflée. Insérez l'outil dans la valve et poussez vers le haut depuis le dessous de la planche pour vous assurer que la valve est bien en contact avec le filetage. Ensuite, tournez l'outil dans le sens des aiguilles d'une montre jusqu'à ce que la valve soit complètement serrée et sécurisée.
- Veuillez vous assurer que l'eau ne pénètre à l'intérieur de votre SUP, car cela pourrait gravement endommager la planche. Si de l'eau pénètre à l'intérieur de la valve, veuillez retirer la valve à l'aide de l'outil fourni. Videz toute l'eau et séchez soigneusement avant de rattacher la valve et de gonfler.

DÉPANNAGE

Défaut	Inspection	Solution
Ma pompe ne fonctionne pas.	Vérifiez si le tuyau est obstrué ou endommagé de quelque manière que ce soit.	Retirez tout blocage du tuyau ou remplacez-le s'il est endommagé.
	La connexion entre le tuyau / la pompe à air / la valve de gonflage de votre planche gonflable n'est pas sécurisée.	Mettez le gonflage en pause, vérifiez que toutes les connexions sont sécurisées et réinstallez si nécessaire.
	La jauge PSI ne fonctionne pas.	La valeur PSI ne s'enregistrera généralement pas avant d'atteindre 7 PSI.
Ma planche a une crevaison/ fuite		Si le problème persiste, veuillez nous contacter. Des ressources supplémentaires peuvent être trouvées sur www.bluefinsupboards.com/info-zone/maintenance-repair/
	Avec la planche gonflée, appliquez du liquide vaisselle sur un chiffon et enduisez la valve.	Si des bulles se produisent, votre valve devra très probablement être resserrée à l'aide de l'outil fourni. Dégonflez votre planche, attrapez l'écrou sous la planche, insérez l'outil de serrage de valve et tournez dans le sens des aiguilles d'une montre jusqu'à ce qu'il soit complètement serré et sécurisé.
	Avec la planche gonflée, appliquez du liquide vaisselle sur un chiffon et enduisez le pont et les côtés.	Si des bulles se forment sur les coutures et le pont, vous pouvez facilement réparer une crevaison avec les patches fournis et une glue adhésive forte. Appliquez de la colle à la fois sur la zone affectée de la planche et sur la face inférieure du patch. Laissez la glue devenir collante avant d'appliquer le patch. CONSEIL : Vous pouvez chauffer la zone avec un sèche-cheveux pour accélérer le processus de séchage.
		Si le problème persiste, veuillez nous contacter. Des ressources supplémentaires peuvent être trouvées sur www.bluefinsupboards.com/info-zone/maintenance-repair/

DÉPANNAGE

Défaut	Inspection	Solution
Un ou plusieurs de mes anneaux en D se sont décollés ou sont tombés.	Vérifiez si vous avez juste besoin de recoller l'anneau en D ou si vous en avez besoin d'un nouveau.	Utilisez une colle adhésive forte pour réappliquer l'anneau en D, procurez-vous un nouvel anneau en D auprès d'un fournisseur ou contactez-nous pour un remplacement. Si le problème persiste, veuillez nous contacter à sup-support@bluefintrading.co.uk Des ressources supplémentaires peuvent être trouvées sur www.bluefinsupboards.com/info-zone/maintenance-repair/
Il y a une bosse sur le dessous de ma planche.	Une bosse est clairement visible sur le bas de la planche sous la valve.	Ne vous inquiétez pas. Cela se produit naturellement sur chaque planche de SUP. Parfois, il est recouvert d'un boîtier à ailerons ou d'un autre détail, mais il est exposé sur certains modèles. Cela se produit en raison d'un espace dans le point de chute pour faire de la place pour la valve. Cela n'affectera en rien les performances ou la qualité de votre SUP.
Mon SUP ne rentre pas dans le sac à dos.	La planche ne semble pas rentrer dans le sac à dos.	Dépliez le SUP et assurez-vous que tout l'air a été expulsé. Vous pouvez ramper sur la planche sur vos genoux, ou appliquer une pression autant que possible. Roulez le SUP par incréments d'environ 1 pied et remballez. Pour certains modèles plus grands, il peut être utile de replier les côtés vers l'intérieur avant de rouler. Si le problème persiste, veuillez nous contacter à sup-support@bluefintrading.co.uk Des ressources supplémentaires peuvent être trouvées sur www.bluefinsupboards.com/info-zone/maintenance-repair/

DÉPANNAGE

Défaut	Inspection	Solution
L'aileron ne rentre pas dans le boîtier à ailerons.	Le boîtier d'aileron s'est déformé et l'aileron ne s'emboîte pas.	<p>Chauffez le plastique du boîtier à aileron avec un sèche-cheveux, ce qui devrait vous permettre de remettre l'aileron en place. Laissez l'aileron dans le boîtier à aileron pendant quelques heures afin que le moule se réinitialise.</p> <p>Si le problème persiste, veuillez nous contacter à sup-support@bluefintrading.co.uk Des ressources supplémentaires peuvent être trouvées sur www.bluefinsupboards.com/info-zone/maintenance-repair/</p>
Je n'arrête pas de perdre mon aileron. Pourquoi est-il si lourd ?	Vérifiez que le boîtier à aileron n'est pas endommagé et réévaluez la fixation de l'aileron.	<p>L'aileron lesté améliore la maniabilité, en particulier dans des conditions plus difficiles. Veuillez fixer solidement votre système d'ailerons pour éviter toute perte ou tout dommage.</p> <p>Pour un aileron de remplacement, veuillez visiter www.bluefinsupboards.com</p>
De l'eau ou de l'humidité est entrée dans mon SUP.	Une action immédiate est requise.	<p>Retirez entièrement la valve de la planche à l'aide de l'outil de valve fourni. Pompez de l'air à travers le trou vacant à plusieurs reprises pendant 20 minutes. Une fois terminé, posez la planche à plat dans un endroit frais et sec avec beaucoup de ventilation pendant au moins 24 heures.</p> <p>Si le problème persiste, veuillez nous contacter à sup-support@bluefintrading.co.uk Des ressources supplémentaires peuvent être trouvées sur www.bluefinsupboards.com/info-zone/maintenance-repair/</p>

BLUEFIN
SUP

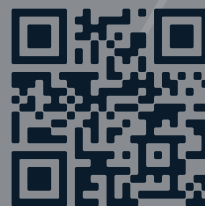
COUVERTURE EN CAS DE PANN



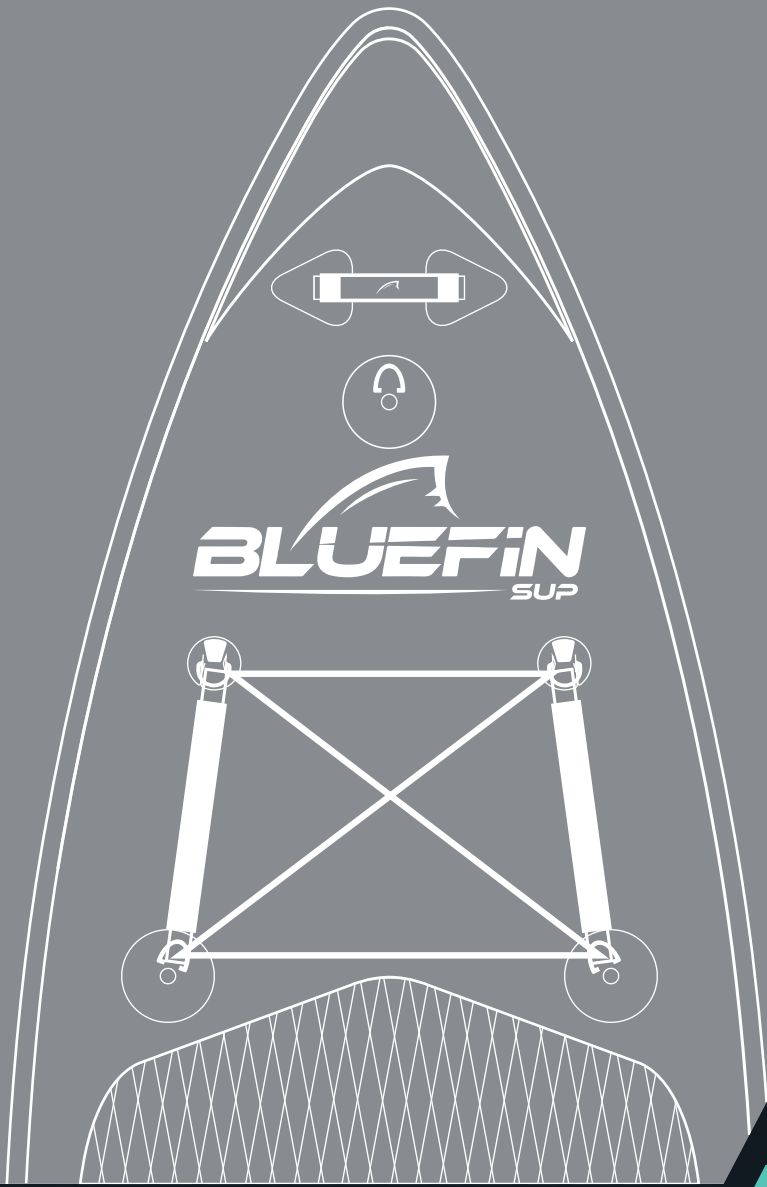
bluefinsupboards.com

SUP GARANTIE PROLONGÉE |
BLUE GARANTIE PROLONGÉE |

ENREGISTREZ VOTRE GARANTIE



Ou visitez Bluefinsupboards.com/fr/activez



**TAVOLE SUP
GONFIABILI**

**MANUALE DELLE
ISTRUZIONI**



INDICE

Benvenuti	2
Processo di gonfiaggio	3
Processo di gonfiaggio della tavola Carbon	4
Processo di gonfiaggio della tavola Voyage	5
Pompa Swift Pro	6
Pompa Swift Maxi	8
Smontaggio della pompa	10
Aggancio Pinna Smart Lock	11
Aggancio Pinna US Box	12
Assemblaggio della pagaia	13
Sgonfiaggio della tavola	14
Borsa Carbon con protezione cinghie	15
Borsa NXT	16
Norme per la sicurezza	17
Risoluzione dei problemi	18
Assistenza	21

BENVENUTO **NEL CLUB**

Ciao,

Benvenuto nella Bluefin SUP Community! Siamo felici di averti a bordo. Il tuo viaggio con noi inizia ora! Come membro della nostra community hai diritto a molti vantaggi, incluso il supporto a vita da parte del nostro team di assistenza clienti e una garanzia estesa su tutti i nostri prodotti. Ricordati di attivare la garanzia eseguendo la scansione del codice QR o visitando il nostro sito web.

Ci auguriamo che il tuo nuovo acquisto ti soddisfi e che tu scelga di scoprire e provare l'intera gamma Bluefin SUP. Per ottenere il meglio dal tuo prodotto ti consigliamo di leggere attentamente e fare sempre riferimento al contenuto di questo manuale.

È inoltre possibile trovare maggiori informazioni e consigli su www.bluefinsupboards.com.

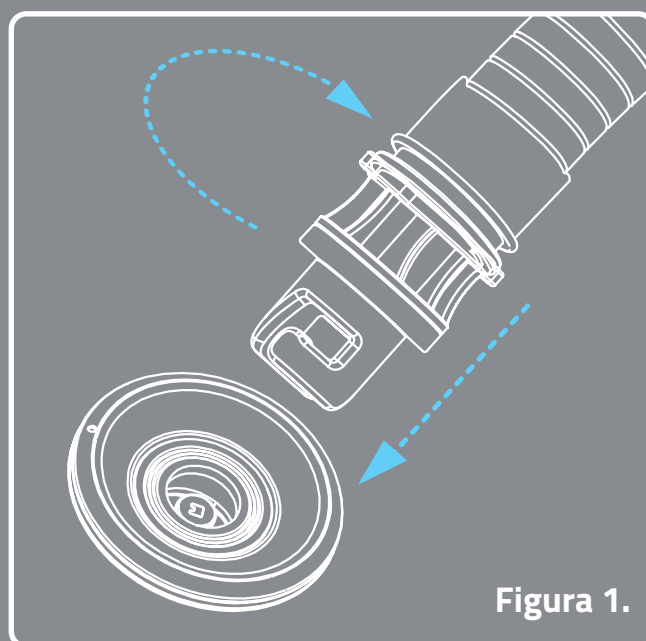
Il team Bluefin SUP

PROCESSO DI GONFIAGGIO



ATTENZIONE: Utilizzare solo la pompa fornita o una pompa adatta per il SUP. NON utilizzare un compressore ad aria poiché si rischia di gonfiare eccessivamente la tavola e danneggiarla in modo irreparabile. La garanzia decade in caso di danni causati da un gonfiaggio eccessivo.

- Disimballa e srotola il tuo Bluefin SUP su una superficie liscia, pulita e piana.
- Collega la pompa alla valvola di gonfiaggio del SUP. Spingi con decisione il rubinetto dell'aria verso l'interno e ruota in senso orario per bloccarlo. **Figura 1**
- Prima di iniziare a pompare, consulta i PSI consigliati sulla valvola del SUP e gonfia fino al valore segnalato. NON gonfiare eccessivamente la tavola.
- L'indicatore dei PSI potrebbe non segnalare valori finché non raggiungi almeno i 7 PSI - continua a pompare!
- Una volta raggiunta la pressione desiderata, scollega in sicurezza il rubinetto dell'aria della pompa e chiudi la valvola del tuo SUP.



PROCESSO DI GONFIAGGIO TAVOLA CARBON



ATTENZIONE: Utilizzare solo la pompa fornita o una pompa adatta per il SUP. NON utilizzare un compressore ad aria poiché si rischia di gonfiare eccessivamente la tavola e danneggiarla in modo irreparabile. La garanzia decade in caso di danni causati da un gonfiaggio eccessivo.

- Per le tavole Carbon con una configurazione a doppia camera d'aria, gonfia prima la camera interna al centro della tavola. **Figura 2** Gonfiare alla pressione consigliata. **Figura 3**
- Quindi gonfia la valvola della camera d'aria esterna nella coda della tavola **Figura 1** alla pressione consigliata segnalata sulla valvola stessa. **Figura 3**

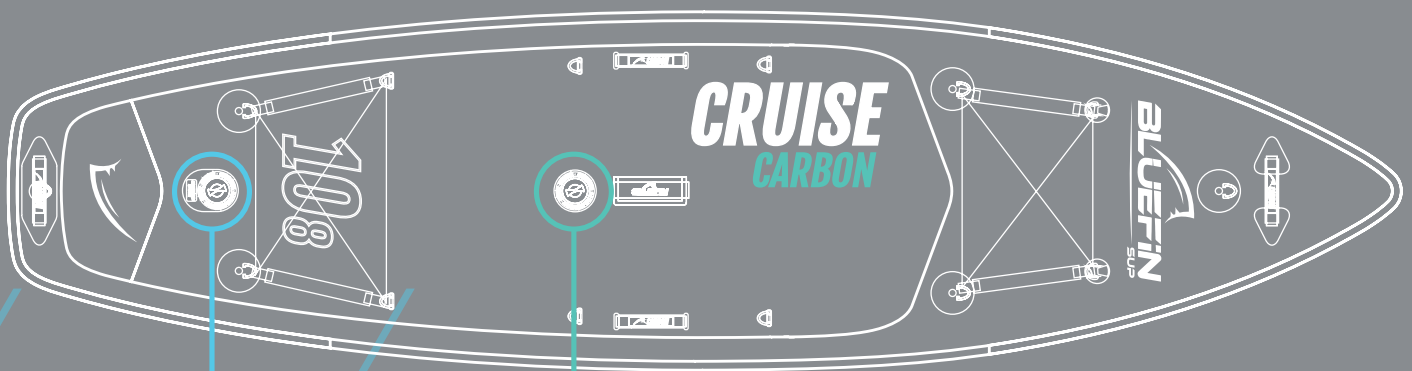


Figura 1.
(Gonfiare prima)

Figura 2.
(Gonfiare per seconda)

Figura 3.



PROCESSO DI GONFIAGGIO TAVOLA VOYAGE

ATTENZIONE: utilizzare solo la pompa fornita o una pompa adatta per il SUP.

NON utilizzare un compressore ad aria poiché si rischia di gonfiare eccessivamente la tavola e danneggiarla in modo irreparabile. La garanzia decade in caso di danni causati da un gonfiaggio eccessivo.

- Per la tavola Voyage con doppie camere d'aria laterali, gonfia prima la camera interna **Figura 1** ai PSI raccomandati scritti sulla valvola. **Figura 3**
- Per seconde gonfia le due camere del binario laterale **Figura 2** ai PSI consigliati annotati sulla valvola.

Figura 4

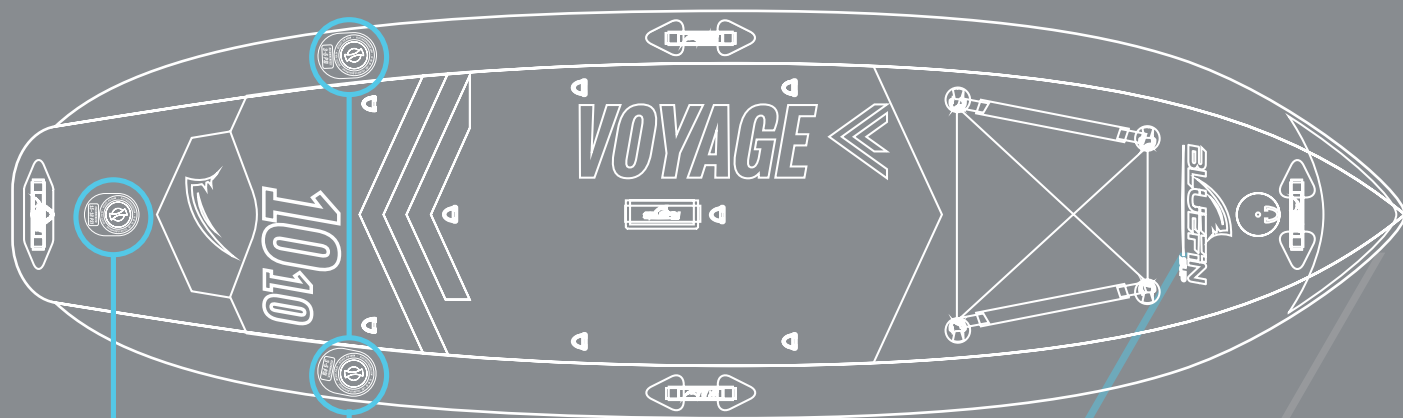


Figura 1.
(Gonfiare prima)

Figura 2.
(Gonfiare per seconda)

Figura 3.

Figura 4.



POMPA

SWIFT PRO



TIPO DI POMPA: Il tuo SUP verrà fornito di una pompa a camera singola Figura 1 o una pompa a doppia camera. Figura 2 Controlla il tipo di pompa e segui le istruzioni per il gonfiaggio

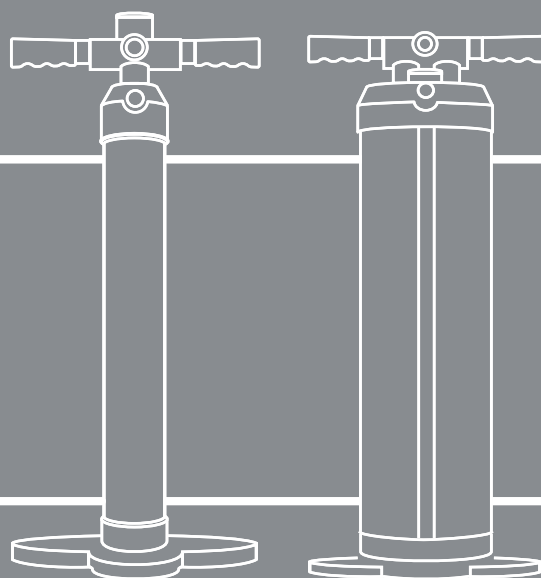


Figure 1.

Figure 2.

Pompa a camera singola



- Per utilizzare correttamente la pompa, fissare il tubo ruotandolo in senso orario sull'uscita dell'aria etichettata con "Gonfiare" **Figura 3**.
Per utilizzare la pompa per lo sgonfiaggio, fissare il tubo ruotandolo in senso orario sull'uscita dell'aria etichettata "Sgonfiare". **Figura 4**

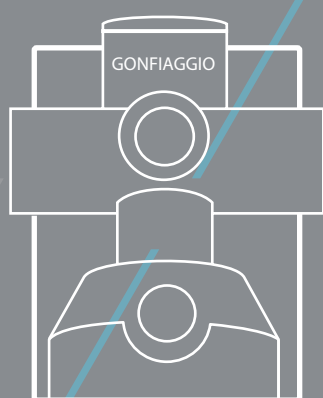


Figura 3.

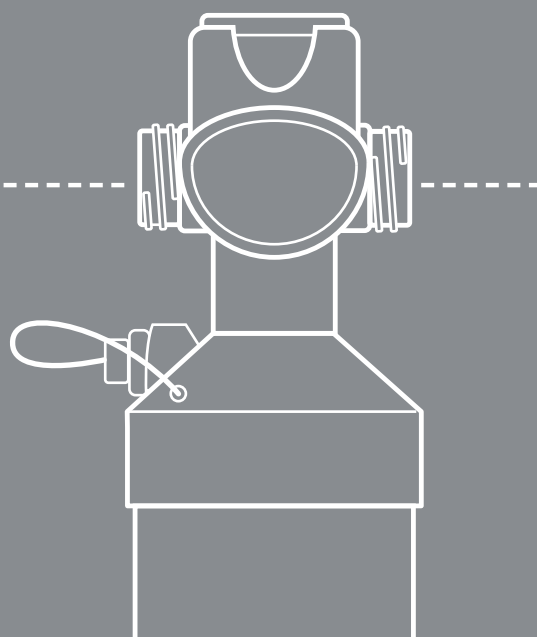
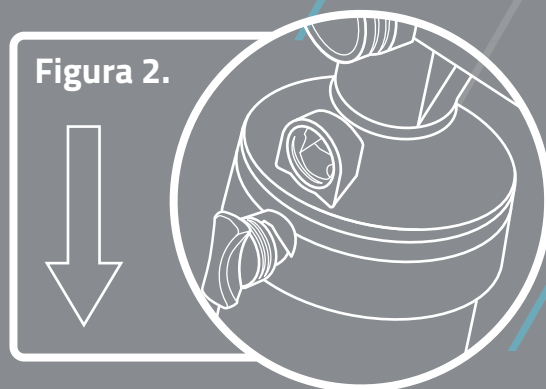
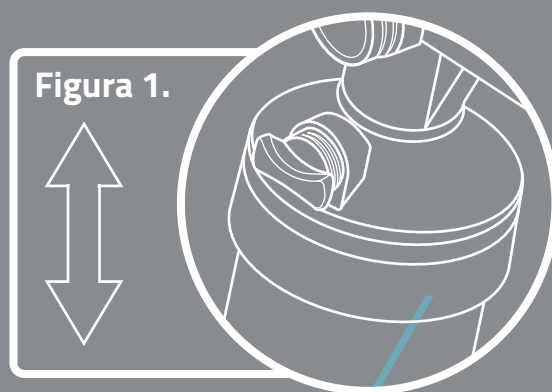
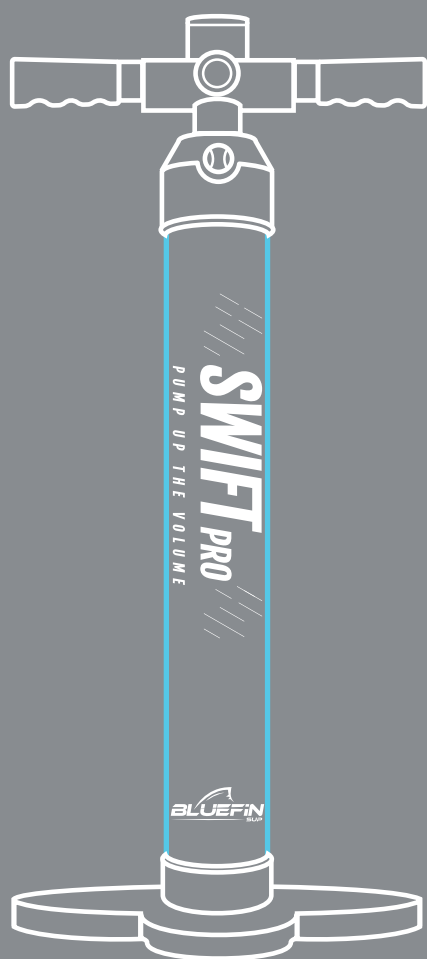


Figura 4.

POMPA SWIFT PRO

- Per utilizzare la pompa in modalità a doppia azione (la pompa gonfia o sgonfia sia tirando che spingendo la leva) assicurarsi che l'attacco sia fissato all'ingresso ruotandolo in senso orario fino a quando non sarà serrato completamente. **Figura 1 - Utilizzare questa funzione per aggiungere/rimuovere rapidamente grandi volumi d'aria.**
- Per utilizzare la pompa in modalità ad azione singola (la pompa gonfia o sgonfia solo con la corsa verso il basso della leva) rimuovere l'attacco ruotandolo in senso antiorario fino a quando l'ingresso è aperto e libero. **Figura 2 - Utilizzare questa funzione durante il gonfiaggio ad alta pressione, verso la fine del processo.**

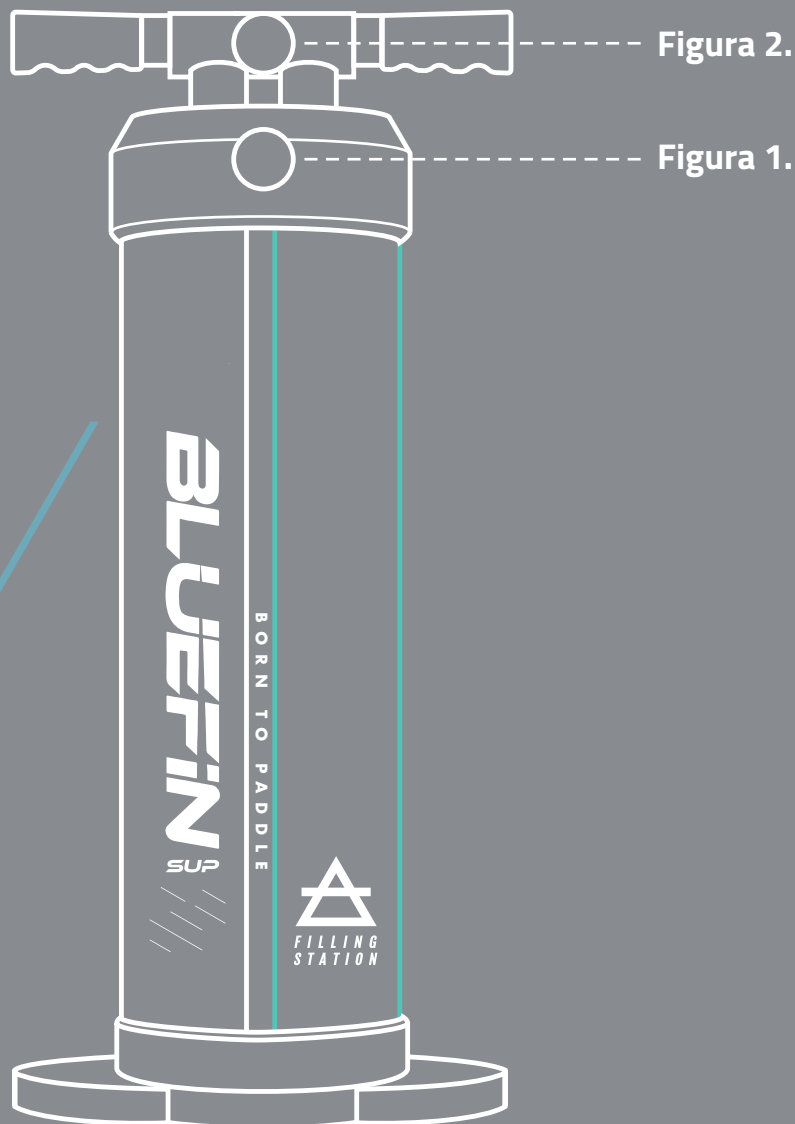


POMPA SWIFT MAXI

Pompa a doppia camera



- Per utilizzare la pompa per il gonfiaggio, fissare il tubo ruotandolo in senso orario sull'uscita dell'aria etichettata con "Gonfiare" **Figura 1**. Per utilizzare la pompa per lo sgonfiaggio, fissare il tubo flessibile ruotandolo in senso orario sull'uscita dell'aria etichettata con "Sgonfiare". **Figura 2**



POMPA SWIFT MAXI

- Per utilizzare la pompa a due camere in modalità a doppia azione (la pompa gonfia e sgonfia sia tirando che spingendo la leva) ruotare la manopola sulla parte anteriore della pompa, opzione 1.

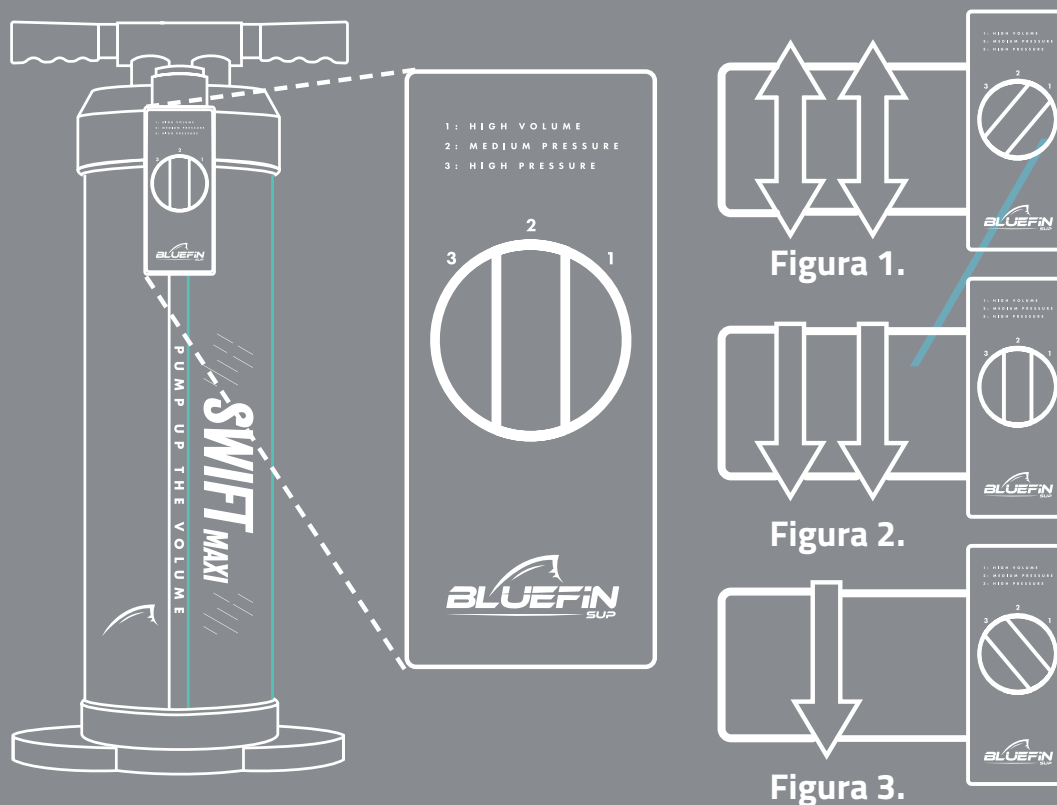
Figura 1 - Utilizzare questa funzione per aggiungere/rimuovere rapidamente grandi volumi d'aria."

- Per utilizzare la pompa a due camere in modalità a singola azione (la pompa gonfia o sgonfia solo durante la corsa verso il basso della leva), ruotare il quadrante sulla parte anteriore, opzione 2.

Figura 2 - Utilizzare questa funzione per aggiungere/rimuovere rapidamente grandi volumi d'aria quando è richiesta una maggiore facilità d'uso rispetto alla modalità a doppia azione."

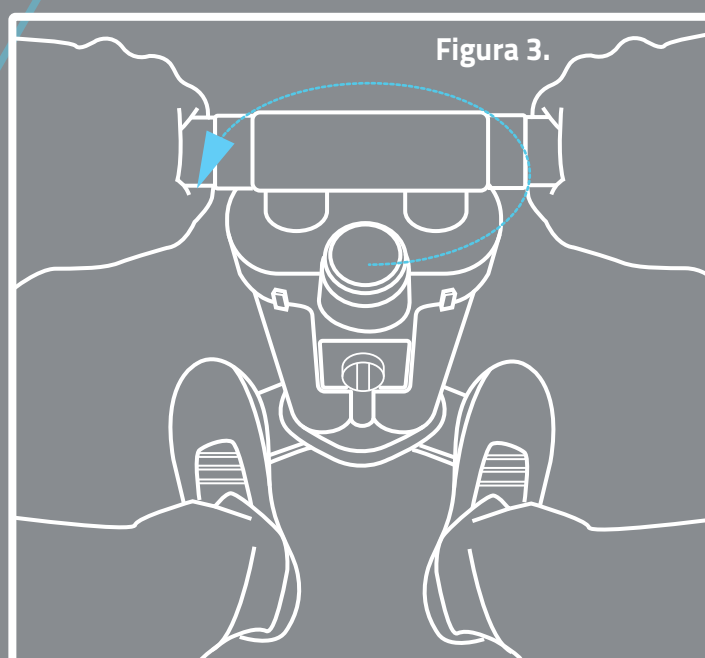
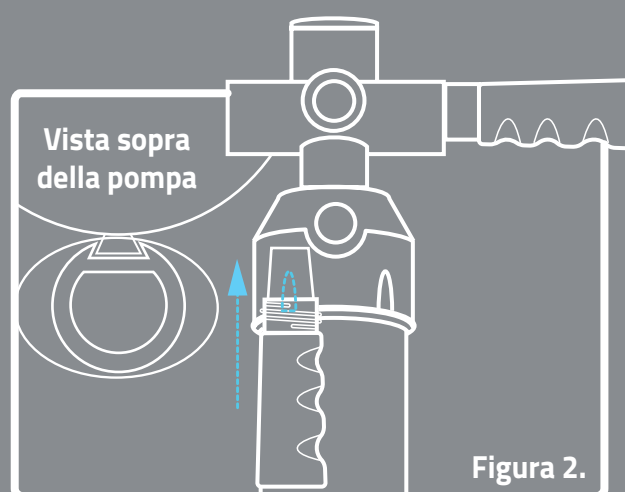
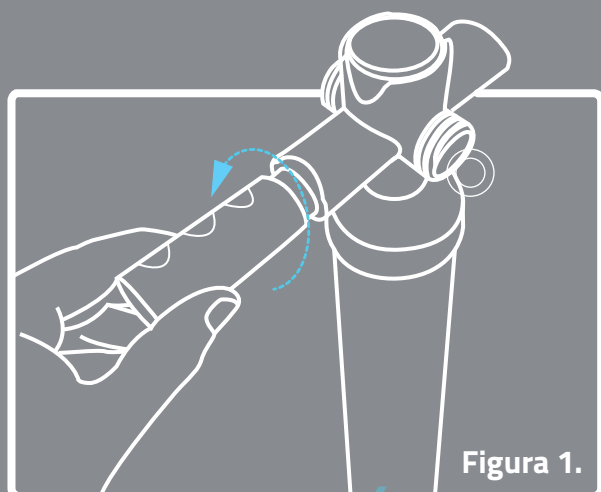
- Per utilizzare la pompa a camera singola, in modalità a singola azione (la pompa gonfia o sgonfia solo durante la corsa verso il basso della leva) ruotare il quadrante sulla parte anteriore all'opzione 3.

Figura 3 - Utilizzare questa funzione per aggiungere/rimuovere aria ad alta pressione, alla fine del processo di gonfiaggio



SMONTAGGIO DELLA POMPA

- Per rendere la pompa più compatta e comoda da trasportare, rimuovere le maniglie ruotandole in senso antiorario. **Figura 1** fino al completo distacco e farle scorrere sui due supporti. **figura 2**
- Per rimuovere la pedana, posizionarsi sulla base e ruotare la pompa in senso antiorario utilizzando le maniglie. **Figura 3**



ATTACCO PINNA

SMART LOCK



TIPO DI PINNA: il tuo SUP ha un sistema di pinne Smart Lock Finor US Box. Si prega di controllare il tipo di pinna e seguire le istruzioni necessarie. **SUGGERIMENTO:** prima di iniziare assicurati che lo slot di alloggiamento della pinna sia pulito e privo di sabbia e altri materiali.



PINNA SMART LOCK

PINNA US BOX

Pinna con sistema Smart Lock

- Inserire la pinna nella fessura all'estremità della tavola. **Figura 1**
- Spingere con decisione l'altra estremità della pinna verso il basso e bloccarla in posizione abbassando la chiusura finché non si sente uno scatto. **Figura 2**

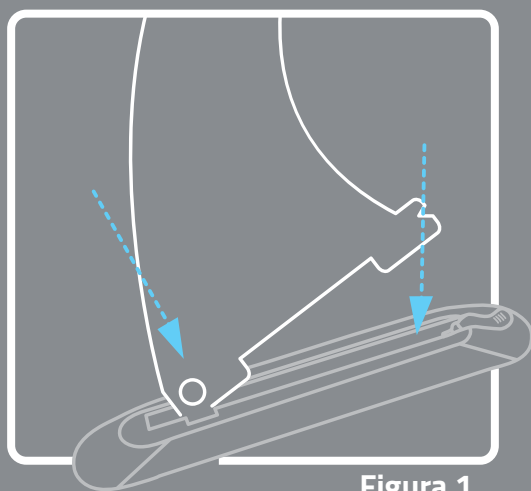


Figura 1.

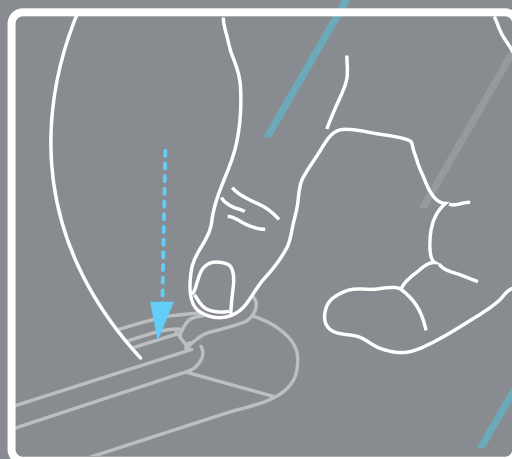


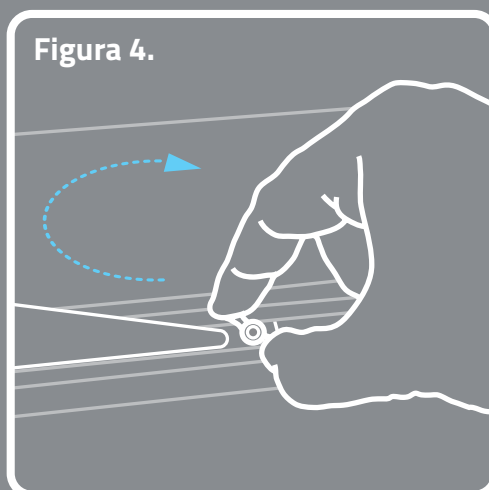
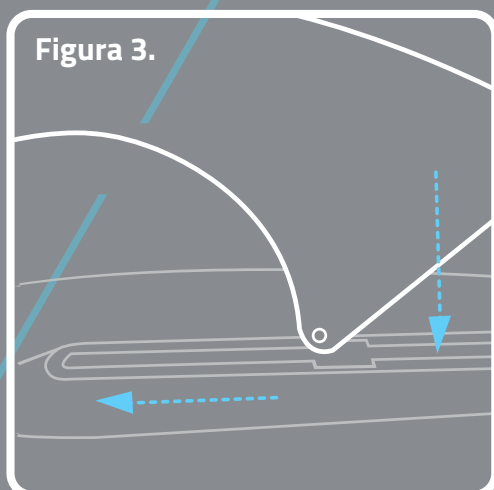
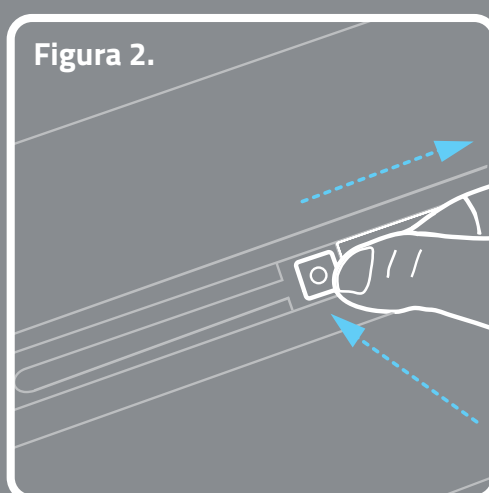
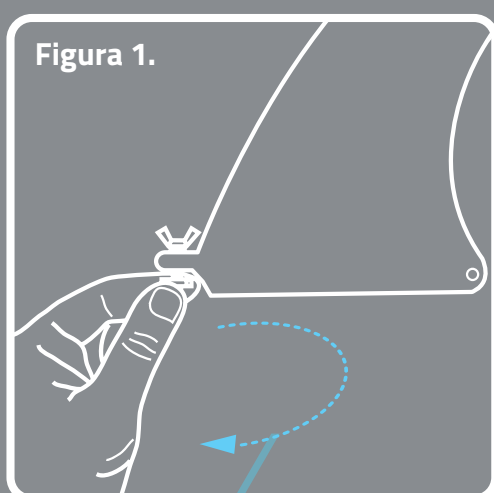
Figura 2.

ATTACCO PINNA

US BOX

Pinna con sistema US Box

- Svitare la piastra con la vite **Figura 1** e posizionare la pinna nella fessura **Figura 2**
SUGGERIMENTO: utilizzare la vite per far scorrere la placca in posizione lungo la fessura
- Inserire la pinna nella fessura della tavola attraverso lo spazio centrale, far scorrere la pinna all'indietro e spingere con decisione verso il basso l'altra estremità. **Figura 3**
- Allineare la vite con la piastra e serrare fino a fissarla completamente. **Figura 4**



ASSEMBLAGGIO DELLA PAGAIA



PAGAIA SUP: la tua pagaia è visiva in 3 pezzi, si monta facilmente ed è completamente regolabile in altezza. L'impugnatura ergonomica deve essere maneggiata come illustrato. Figura 1
Il logo Bluefin dovrebbe essere sulla parte anteriore della paletta durante la pagaiata. Figura 2

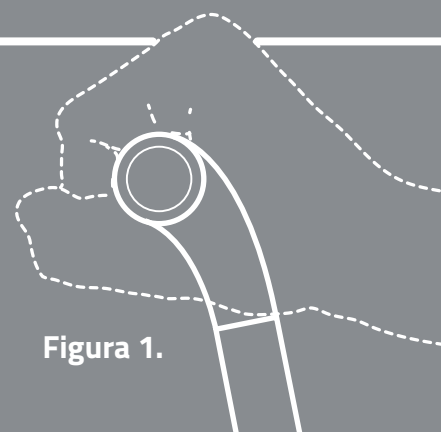


Figura 1.

Montaggio Della Pagaia



- Usa il remo in modo corretto, con il marchio Bluefin sulla parte anteriore della pagaia. **Figura 2**
- La lunghezza della pala deve essere regolata a circa 6 pollici sopra la testa dell'utente. **Figura 3**

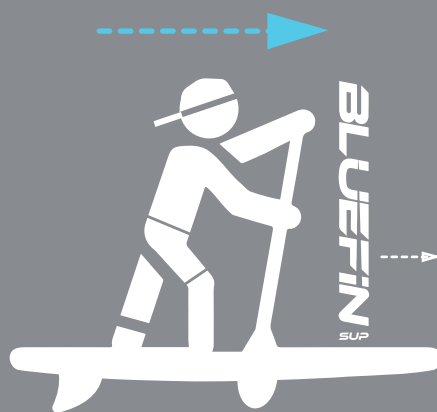
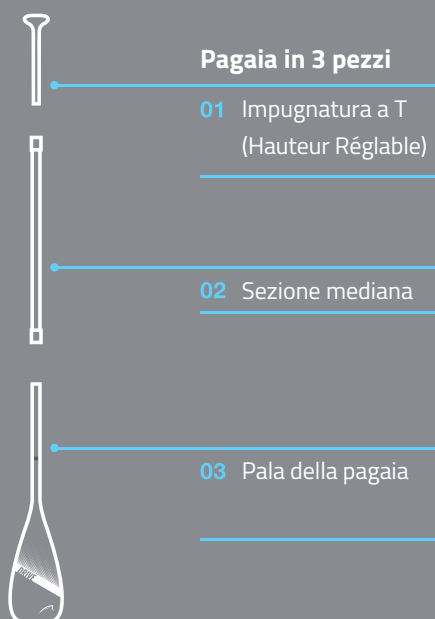


Figura 2.

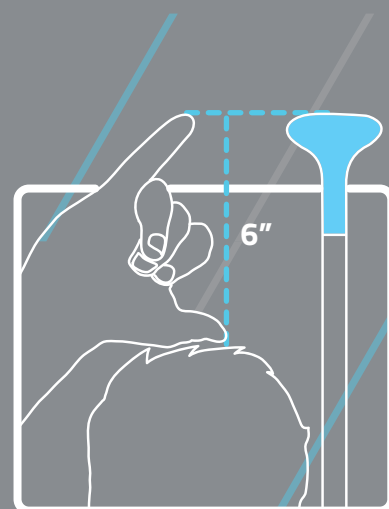
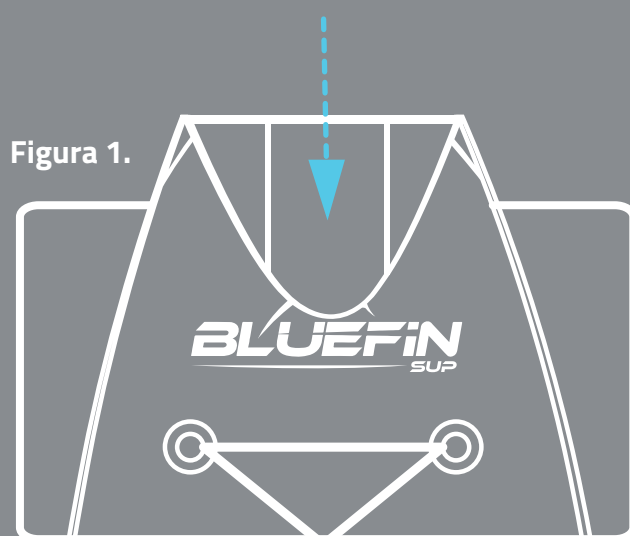


Figura 3.

SGONFIAGGIO DELLA TAVOLA

- Prima di sgonfiare la tavola, rimuovere la grande pinna centrale e assicurarsi che sia pulita e priva di sabbia o altri detriti. Pulire con acqua se necessario per prevenire la formazione di muffa durante lo stoccaggio. Non utilizzare prodotti chimici aggressivi per la pulizia. La maggior parte dello sporco può essere rimosso solo con acqua e sapone neutro.
- Sgonfiare la tavola SUP rimuovendo prima il cappuccio delle valvole. Successivamente, puoi rilasciare un po' di pressione spingendo leggermente sulla punta. **SUGGERIMENTO:** non metterti con il viso sopra la valvola durante lo sgonfiaggio.
- Per sgonfiare completamente la tavola, premere con decisione sulla punta e ruotare la manopola in qualsiasi direzione per bloccarla. La tua tavola ora si sgonfierà rapidamente.
- Per essere sicuro di sgonfiare completamente la tavola puoi inginocchiarti e gattonare con cautela, oppure sederti su parti della tavola per forzare l'uscita dell'aria rimanente. Una volta sgonfiata completamente la tavola, richiudere i cappucci delle valvole.
- Per una corretta conservazione, la tua tavola deve essere il più piatta possibile. Una volta appiattita, puoi arrotolarla e piegarla dalla punta in giù. **Figura 1**
- Imballare e conservare il SUP nello zaino fornito, in un luogo fresco e asciutto e lontano dalla luce solare diretta

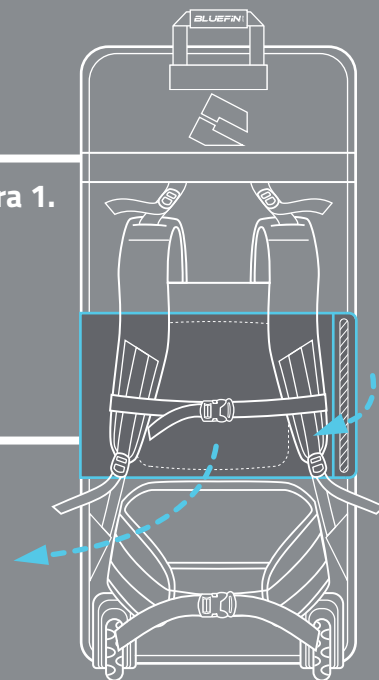


BORSA CARBON CON PROTEZIONE CINGHIE



BORSA CARBON: La seguente caratteristica è disponibile solo sulle borse modello Carbon. Serve per evitare che le cinghie di trasporto si trascinino sul pavimento quando si sposta la borsa.

Figura 1.



- Sollevare la linguetta in velcro Figura 1 e staccare la sezione centrale dell'imbottitura per estrarre la copertura della cinghia. Figura 2
- Aprire il copricinghia per contenere le cinghie di trasporto e fissarle utilizzando il bordo in velcro. Figura 3
- Premere il bordo in velcro e fissare nuovamente la linguetta. Figura 4
- Per ripiegare la copertura della cinghia e utilizzare le cinghie di trasporto, invertire i passaggi.

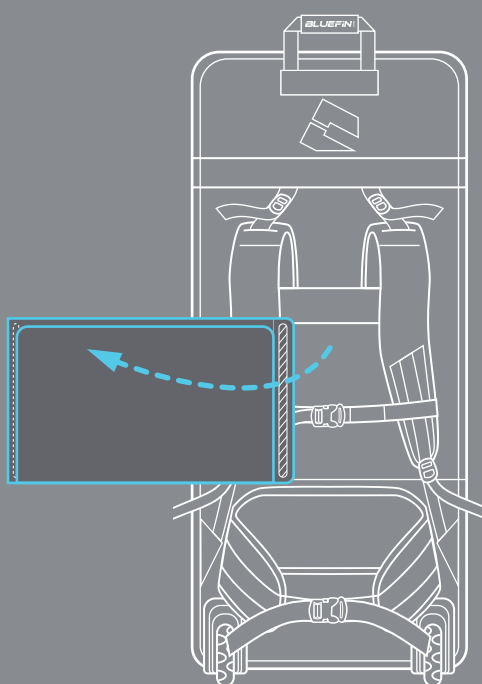


Figura 2.

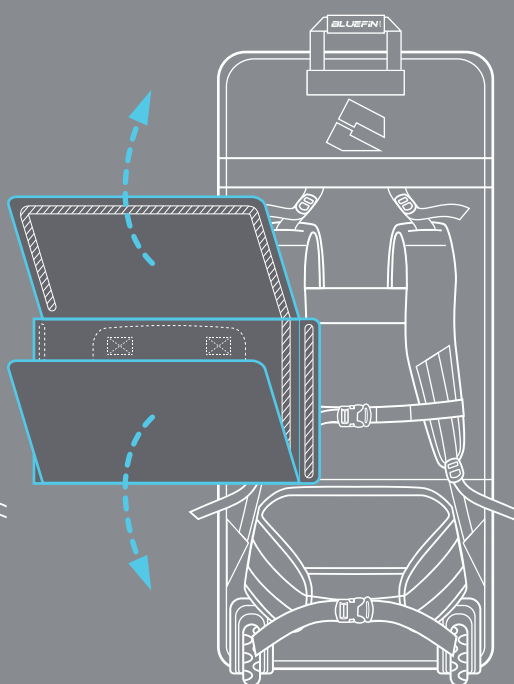


Figura 3.

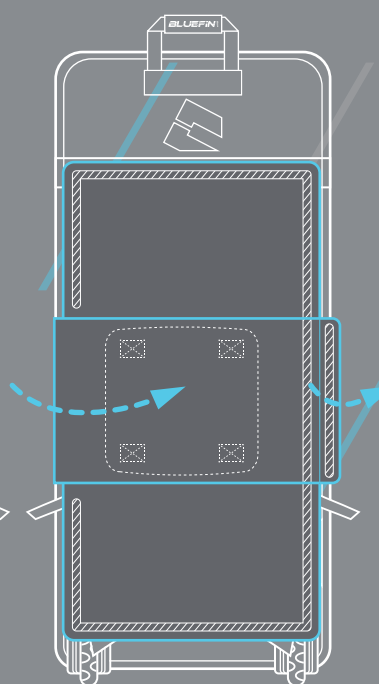


Figura 4.

BORSA NXT

BORSA NXT: La seguente caratteristica è disponibile solo sulle borse modello Carbon. Trasforma la borsa SUP in una sacca portaoggetti invertendo la borsa dalla tasca esterna.



- Apri la tasca frontale esterna della borsa e inizia a tirare la tasca al rovescio. **Figura 1**
- Una volta inserita la borsa nella tasca frontale, rimarrai con una sacca più piccola contenente la borsa all'interno. **Figura 2** Il marchio NXT dovrebbe ora essere visibile all'esterno della borsa.
- Per ridurre ulteriormente le dimensioni della sacca, arrotolare dalla parte superiore verso il basso usando la ettuccia come guida. Lascia le fibbie ai lati della borsa e legate una volta arrotolate. **FIGURA 3**

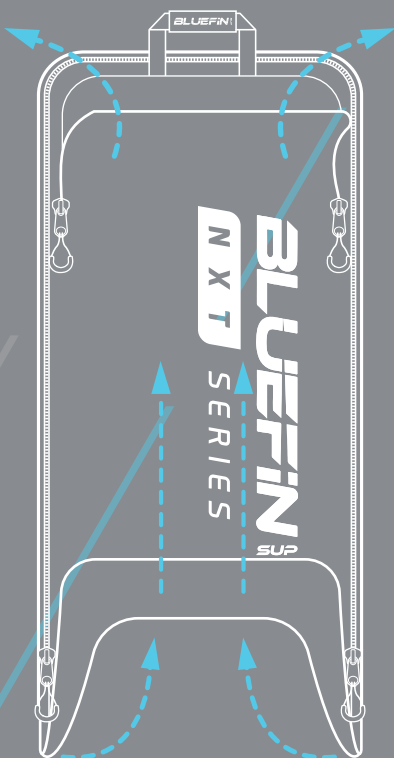


Figura 1.

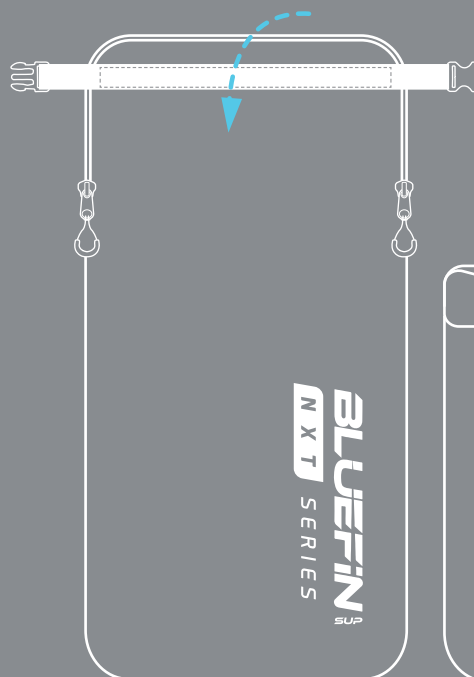


Figura 2.

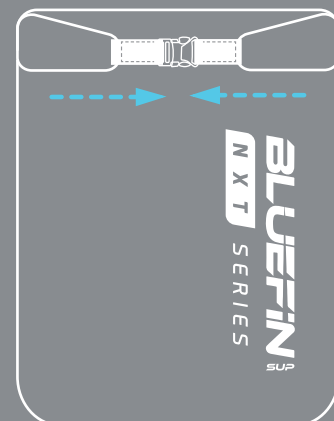


Figura 3.

NORME DI SICUREZZA

- Per la tua sicurezza, attacca sempre al polpaccio o alla caviglia il laccio a spirale fornito. Assicuralo all'anello a D sul retro della tavola e fissa saldamente il cinturino in velcro al polpaccio o alla caviglia.
- Durante l'uso del SUP si prega di indossare un abbigliamento adeguato al tempo o al clima. È altamente raccomandato indossare un giubbotto salvagente o altro dispositivo di galleggiamento personale e una muta quando è più freddo.
- Rimani sempre idratato mettendo una bottiglia d'acqua nella tua rete portaoggetti. Puoi fissare con facilità una borsa o un dispositivo di raffreddamento sotto gli elastici.
- Conserva il tuo smartphone nella custodia impermeabile fornita. Inoltre, considera di mettere in valigia un fischietto o una torcia per i casi di emergenza.
- La tua tavola può espandersi e gonfiarsi eccessivamente a temperature molto calde. Si prega di controllare la pressione dell'aria e sgonfiare un po' la tavola se necessario.
- Si prega di imballare e conservare il SUP nello zaino fornito, in un luogo fresco e asciutto e lontano dalla luce diretta del sole. Dovresti pulire la tua tavola dopo ogni utilizzo. Utilizzare acqua se necessario per prevenire formazione di muffa. Non utilizzare prodotti chimici aggressivi per la pulizia. La maggior parte dello sporco può essere rimosso con acqua e sapone neutro.
- Viene fornito un kit per le riparazioni, con toppe extra e uno strumento di serraggio delle valvole. Di tanto in tanto potrebbe essere necessario serrare la valvola per evitare perdite d'aria. Per serrare la valvola assicurarsi prima che la tavola sia completamente sgonfia. Inserire lo strumento nella valvola e spingere verso l'alto dalla parte inferiore della tavola per garantire che la valvola sia a stretto contatto con la filettatura. Quindi, ruotare lo strumento in senso orario fino a quando la valvola non è completamente serrata e fissata.
- Assicurati che non penetri acqua all'interno del tuo SUP in quanto ciò può danneggiare gravemente la tavola. Se dell'acqua entra nella valvola, rimuovi la valvola utilizzando l'attrezzo in dotazione. Scola l'acqua e asciuga accuratamente prima di riattaccare la valvola e rigonfiare.

RISOLUZIONE DEI PROBLEMI

Guasti	Ispezione	Soluzione
La mia pompa non funziona	Controllare se il tubo è bloccato o danneggiato in qualche modo.	Rimuovere eventuali ostruzioni dal tubo o sostituirlo se danneggiato.
	Il collegamento tra il tubo flessibile/pompa dell'aria/valvola di gonfiaggio sul SUP non è sicuro.	Ferma il gonfiaggio, controlla che tutte le connessioni siano sicure o rifai i collegamenti se necessario.
	L'indicatore di PSI non funziona.	Il valore dei PSI di solito non viene registrato fino a quando non si raggiungono i 7 PSI.
		Se il problema persiste, contattaci. Ulteriori informazioni possono essere trovate su www.bluefinsupboards.com/info-zone/maintenancerepair/
La mia tavola ha una foratura/perdita	Con la tavola gonfia, applicare del detersivo per piatti sulla valvola.	Se vedi delle bolle, molto probabilmente sarà necessario serrare la valvola utilizzando lo strumento fornito. Sgonfia il SUP, prendi il dado da sotto la tavola, inserisci lo strumento di serraggio della valvola e ruota in senso orario fino a quando non è completamente fissato.
	Con la tavola gonfia, applica del detersivo per piatti su un panno e ricopri il ponte e i lati.	Se vedi bolle sulle cuciture e sul ponte, puoi facilmente riparare la foratura con i cerotti forniti e una forte colla adesiva. Applica la colla sia sull'area interessata sulla tavola che sul lato inferiore del cerotto. Lascia che la colla diventi appiccicosa prima di applicare il cerotto. SUGGERIMENTO: puoi riscaldare l'area con un asciugacapelli per accelerare il processo di asciugatura della colla.
		Se il problema persiste, contattaci. Ulteriori informazioni possono essere trovate su www.bluefinsupboards.com/info-zone/maintenance-repair/

RISOLUZIONE DEI PROBLEMI

Guasti

Ispezione

Soluzione

Uno o più dei miei anelli a D si sono staccati o sono caduti.

Controlla se hai solo bisogno di incollare nuovamente l'anello a D o se hai bisogno di un nuovo anello.

Usa una supercolla molto adesiva per riapplicare l'anello a D, procurati un nuovo anello a D da un fornitore o contattaci per una sostituzione.

Se il problema persiste, contattaci all'indirizzo sup-support@bluefintrading.co.uk
Ulteriori informazioni sono disponibili su www.bluefinsupboards.com/info-zone/maintenancerepair

C'è una protuberanza sulla parte inferiore della mia tavola.

Una protuberanza è chiaramente visibile sul fondo della tavola, sotto la valvola.

Non preoccuparti. Ciò si verifica naturalmente su ogni tavola da SUP. Si verifica a causa di uno spazio vuoto nel punto drop-stitch per fare spazio alla valvola. Non influenzerà in alcun modo le prestazioni o la qualità del tuo SUP.

Il mio SUP non rientra nello zaino.

La tavola è molto aderente e non sembra starci nello zaino.

Srotola il SUP e assicurati che tutta l'aria sia stata espulsa. Puoi strisciare sulla tavola in ginocchio o esercitare pressione per far uscire tutta l'aria. Arrotola il SUP con incrementi di circa 1 piede e reimballa. Per alcuni modelli più grandi, può essere utile piegare i lati verso l'interno prima di arrotolare.

Se il problema persiste, contattaci all'indirizzo sup-support@bluefintrading.co.uk
Ulteriori informazioni sono disponibili su www.bluefinsupboards.com/info-zone/maintenance-repair

RISOLUZIONE DEI PROBLEMI

Guasti	Ispezione	Soluzione
La pinna non si adatta al suo alloggiamento	L'alloggiamento si è deformato e la pinna non si inserisce più.	Riscalda la plastica dell'alloggiamento delle pinne con un asciugacapelli, ciò dovrebbe permetterti di reinserire la pinna. Lascia la pinna nella scatola delle pinne per alcune ore in modo che lo stampo si riadatti. Se il problema persiste, contattaci all'indirizzo sup-support@bluefintrading.co.uk Ulteriori informazioni sono disponibili su www.bluefinsupboards.com/info-zone/maintenancerepair
Continuo a perdere la mia pinna. Perché non rimane inserita?	Controlla se l'alloggiamento è danneggiato e riprova ad attaccare la pinna.	La pinna zavorrata migliora la maneggevolezza e la manovrabilità. Si prega di collegare saldamente le pinne per evitare perdite o danni. Per ottenere una pinna sostitutiva, visitare www.bluefinsupboards.com
Acqua o umidità sono entrate nel mio SUP.	È necessaria un'azione immediata.	Rimuovi completamente la valvola dalla tavola utilizzando l'attrezzo in dotazione. Pompa aria attraverso il foro vuoto ripetutamente per 20 minuti. Una volta completata l'operazione, adagia la tavola in piano in un'area fresca e asciutta con molta ventilazione per almeno 24 ore. Se il problema persiste, contattaci all'indirizzo sup-support@bluefintrading.co.uk Ulteriori informazioni sono disponibili su www.bluefinsupboards.com/info-zone/maintenance-repair

BLUFIN
SUP

COPERTURA IN CASO DI GUASTI



bluefinsupboards.com



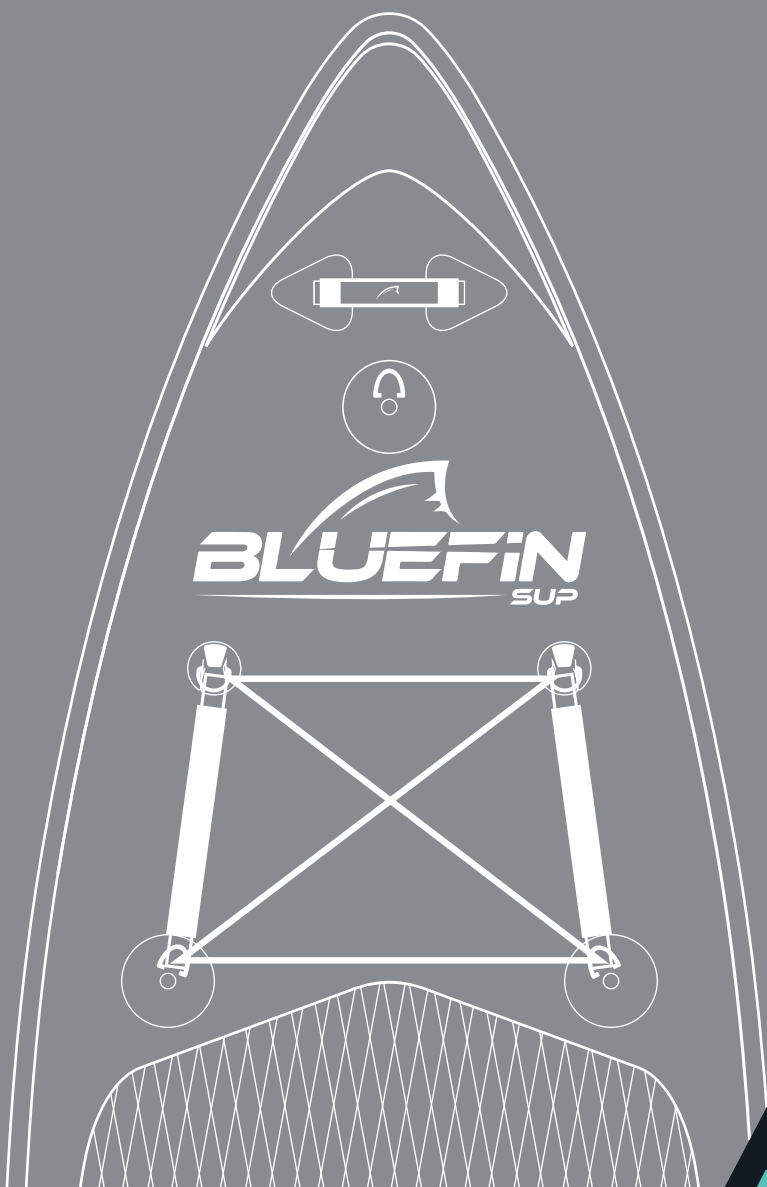
GARANZIA ESTESA
BLUFIN SUP
GARANZIA ESTESA



REGISTRA LA TUA GARANZIA



Oppure visita Bluefinsupboards.com/it/attiva



**OPBLAASBARE
PADDLEBOARDS**

HANDLEIDING



INHOUD

Welkom	2
Opblazen	3
De Carbon Opblazen	4
De Voyage Opblazen	5
Swift Pro Pomp	6
Swift Maxi Pomp	8
Pomp Demonteren	10
Smart Lock Vin Bevestigen	11
US Box Vin Bevestigen	12
Peddel In Elkaar Zetten	13
Je Board Opbergen	14
Riemen Carbon Tas	15
NXT Tas	16
Veiligheid en Voorzorgsmaatregelen	17
Problemen & Oplossingen	18
Garantie	21

WELKOM IN DE CLUB

Hey,

Welkom bij de Bluefin SUP community! We zijn blij je aan boord te hebben! En onze relatie stopt niet bij de aankoop van je board.

Als lid van onze community heb je recht op vele voordelen, waaronder levenslange ondersteuning van onze klantendienst en een uitgebreide garantie op al onze producten. Activeer de garantie door de QR code te scannen (zie 'Garantie') of via onze website.

We hopen dat je geniet van je nieuwe product. Bekijk ook even onze andere producten in ons uitgebreide SUP-gamma. Om het beste uit je product te halen, raden we je aan de inhoud van deze handleiding te lezen en raadplegen.

Verdere info kun je vinden op www.bluefinsupboards.com.

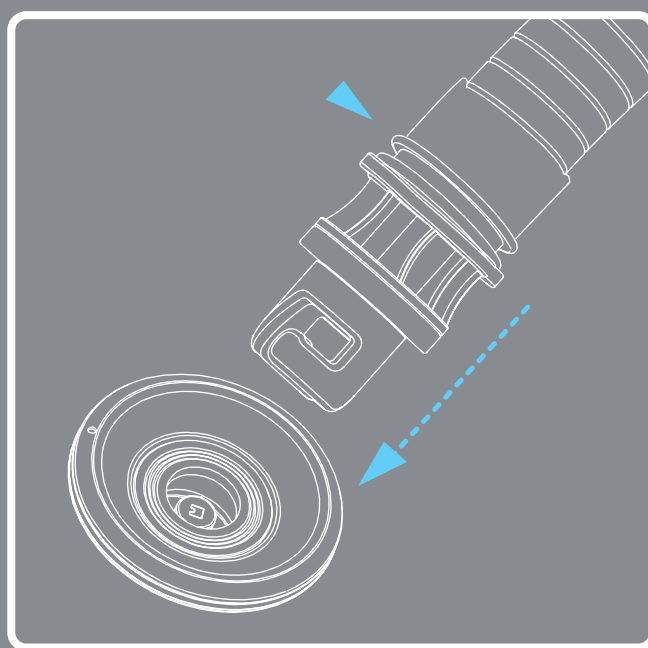
Het Bluefin SUP-team

OPBLAZEN



WAARSCHUWING: Gebruik alleen de meegeleverde pomp of een pomp die geschikt is voor jouw SUP. Gebruik GEEN luchtcompressor, hiermee loop je het risico om je board te hard op te blazen en het te beschadigen. De garantie vervalt als je je board te hard opgeblazen hebt.

- Pak je Bluefin SUP uit en rol je board uit op een gladde, schone, vlakke ondergrond.
- Sluit je pomp aan op het opblaasventiel van je SUP. Duw de luchtslang stevig naar binnen en draai met de klok mee, zodat alles stevig vastzit. **Figuur 1**
- Raadpleeg, voordat je je board opblaast, de aanbevolen PSI op het ventiel van je SUP en blaas je board op tot aan de correcte waarde. Blaas je SUP NIET te hard op.
- De PSI wordt mogelijk pas weergegeven als je tenminste 7 PSI hebt bereikt - blijf pompen!
- Koppel de luchtslang van je pomp los zodra de gewenste luchtdruk is bereikt en draai het ventiel op je SUP vast.

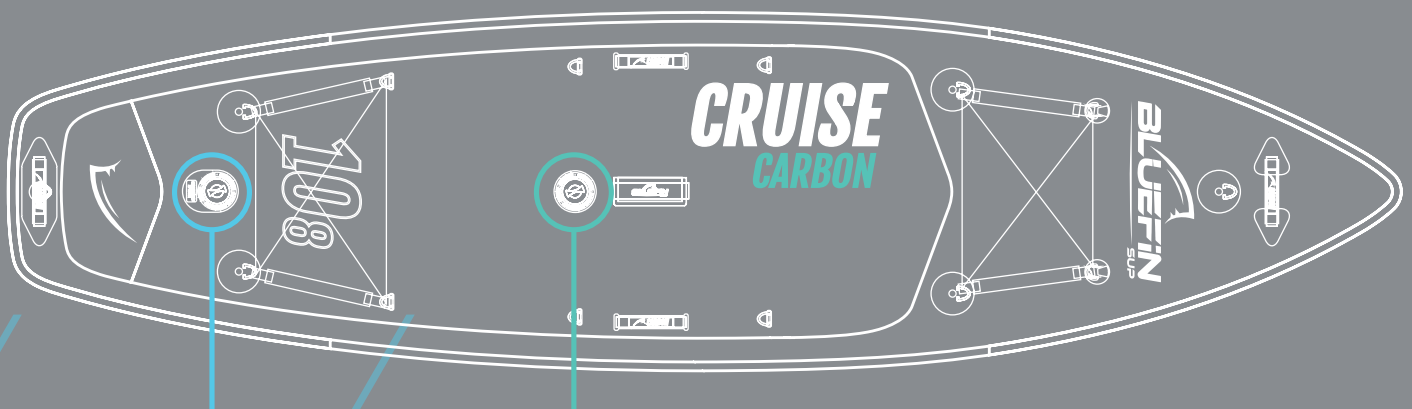


DE CARBON OPBLAZEN



WAARSCHUWING: Gebruik alleen de meegeleverde pomp of een pomp die geschikt is voor jouw SUP. Gebruik GEEN luchtcompressor, hiermee loop je het risico om je board te hard op te blazen en het te beschadigen. De garantie vervalt als je je board te hard opgeblazen hebt.

- Blaas bij de Carbon boards met een dubbele luchtkamer eerst de binnenkamer op, in het midden van het board. **Figuur 2.** Blaas deze op tot de aanbevolen PSI. **Figuur 3**
- Blaas vervolgens de buitenste kamer op aan de achterkant van het board. **Figuur 1.** Blaas deze op tot de aanbevolen PSI die op het ventiel staat vermeld. **Figuur 3.**



Figuur 1.
(Eerst opblazen)

Figuur 2.
(Daarna opblazen)

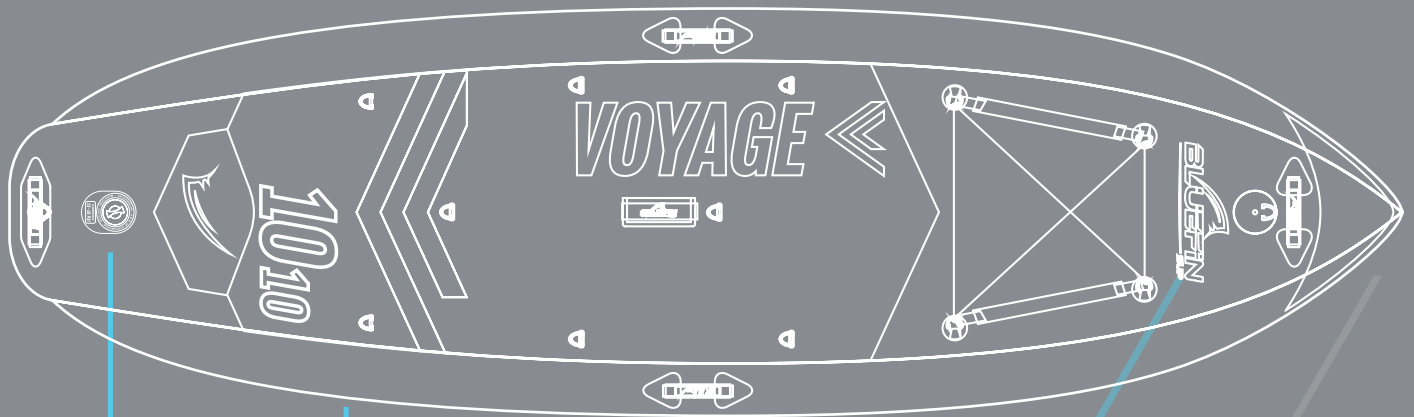


DE VOYAGE OPBLAZEN



WAARSCHUWING: Gebruik alleen de meegeleverde pomp of een pomp die geschikt is voor jouw SUP. Gebruik GEEN luchtcompressor, hiermee loop je het risico om je board te hard op te blazen en het te beschadigen. De garantie vervalt als je je board te hard opgeblazen hebt.

- Voor de Voyage met opblaasbare zijrails: Blaas eerst de binnenkamer op, **Figuur 1**, tot de aanbevolen PSI. **Figuur 3**
- Blaas daarna de twee zijrails op, **Figuur 2**, tot de PSI die vermeld staat op het ventiel. **Figuur 4**



Figuur 1.
(Eerst opblazen)

Figuur 2.
(Daarna opblazen)

Figuur 3.

Figuur 4.

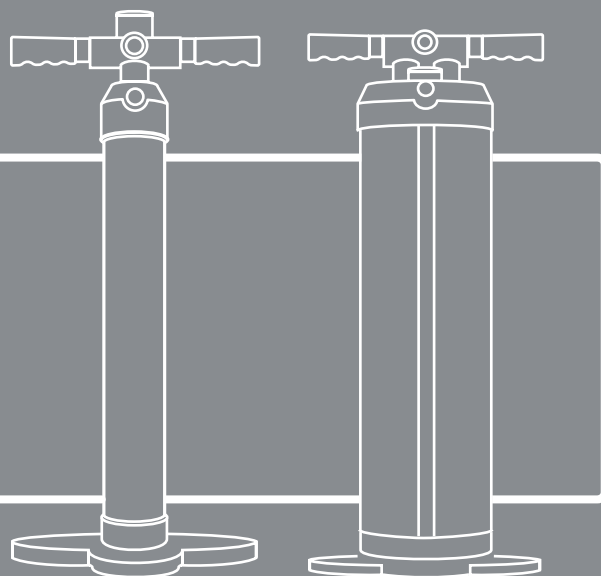


SWIFT PRO

POMP



POMP: Je SUP wordt geleverd met een single chamber pomp, **Figuur 1**, of een double chamber pomp. **Figuur 2** Ga na welke pomp je hebt en volg: de instructies voor het opblazen.



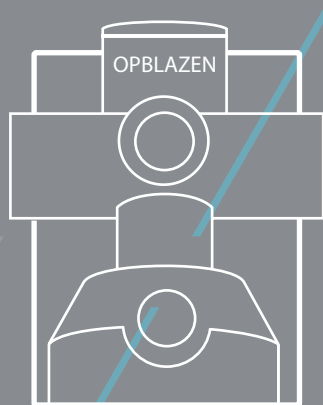
Figuur 1.

Figuur 2.

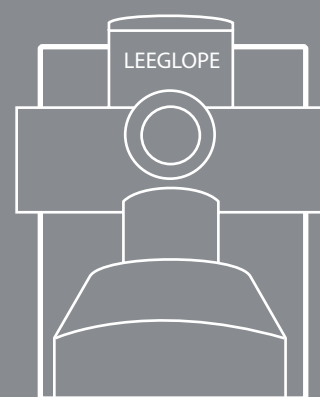
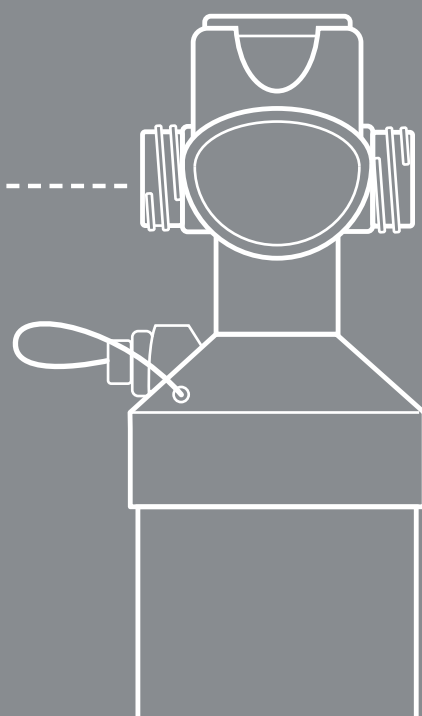
Single Chamber Pump



- Om je sup op te blazen, draai je de pompslang, met de klok mee, vast op de 'Inflate' luchttuitlaat van de pomp. **Figuur 3** Om je sup te laten leeglopen, draai je de slang, met de klok mee, vast op de 'Deflate' luchttuitlaat van de pomp. **Figuur 4**



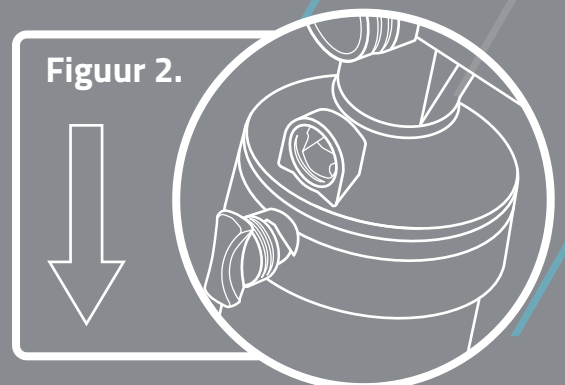
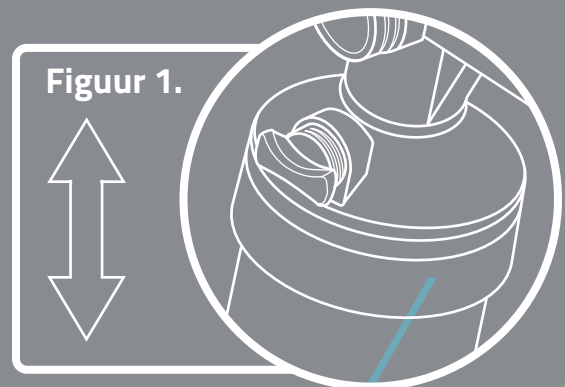
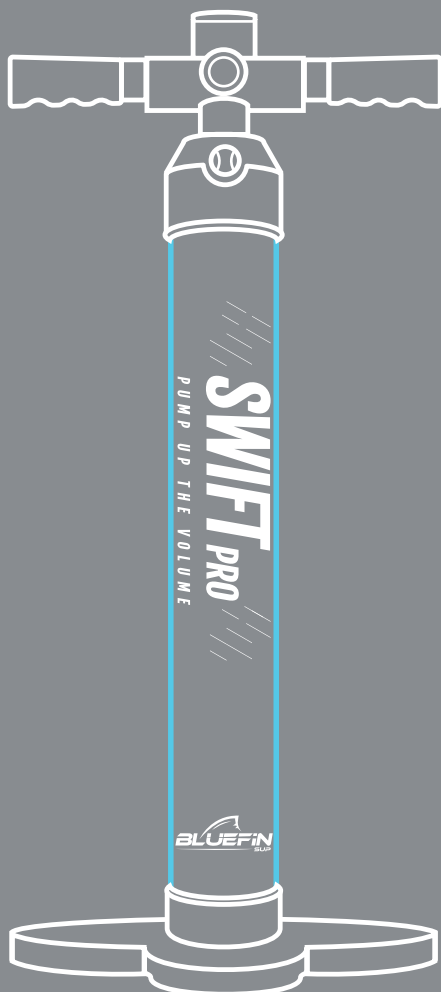
Figuur 3.



Figuur 4.

SWIFT PRO POMP

- Om de pomp in double action - modus te gebruiken (de pomp zal zowel bij een opwaartse als neerwaartse beweging opblazen of leeglopen), moet je ervoor zorgen dat het hulpstuk op het ventiel bevestigd wordt, door deze met de klok mee te draaien tot het vastzit. **Figuur 1 - Gebruik deze functie om je snel op te blazen / leeg te laten lopen.**
- Om de pomp in single action-modus te gebruiken (de pomp zal alleen opblazen of leeglopen bij een neerwaartse beweging) verwijder je het hulpstuk door dit tegen de klok in te draaien totdat het ventiel open is. **Figuur 2 - Gebruik deze functie bij het opblazen onder hoge druk, aan het einde van het opblaasproces.**

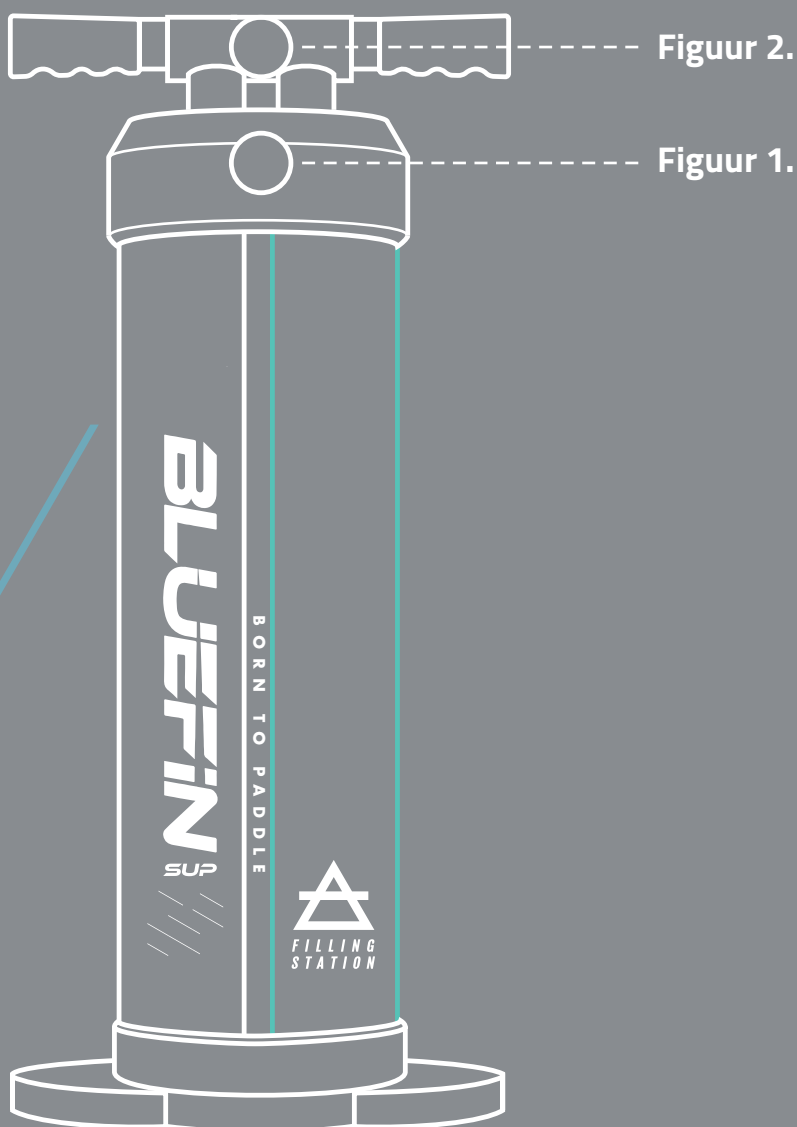


SWIFT MAXI POMP

Double Chamber Pump

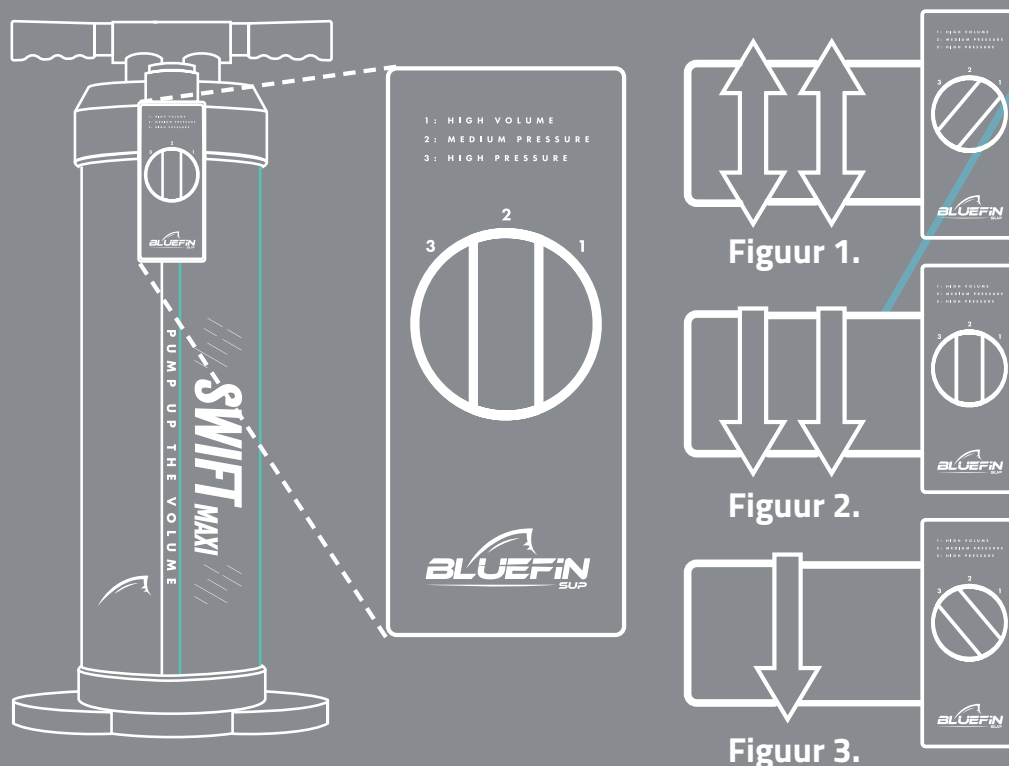


- Om je sup op te blazen, draai je de pompslang, met de klok mee, vast op de 'Inflate' luchttuitlaat van de pomp. **Figuur 1**. Om je sup te laten leeglopen, draai je de slang, met de klok mee, vast op de 'Deflate' luchttuitlaat van de pomp. **Figuur 2**



SWIFT MAXI POMP

- "Om de pomp in double action- double chamber modus te gebruiken (de pomp zal zowel bij een opwaartse als neerwaartse beweging opblazen of leeglopen, via beide kamers) draai je aan de wijzer aan de voorkant van de pomp, optie 1. **Figuur 1 - Gebruik deze functie om je sup snel op te blazen / leeg te laten lopen.**
- Om de pomp in single action-double chamber modus te gebruiken (de pomp zal alleen opblazen of leeglopen bij een neerwaartse beweging, via beide kamers) draai je de wijzer aan de voorkant van de pomp, optie 2. **Figuur 2 - Gebruik deze functie om je sup sneller en makkelijker op te blazen / leeg te laten lopen dan bij double action-dual chamber.**
- Om de pomp te gebruiken in single action- single chamber modus (de pomp zal alleen opblazen of leeglopen bij een neerwaartse beweging, via één enkele kamer) draai je aan de wijzer op de voorkant van de pomp optie 3. **Figuur 3. Gebruik deze functie bij het opblazen/leeglopen onder hoge druk, aan het einde van het opblaasproces.**

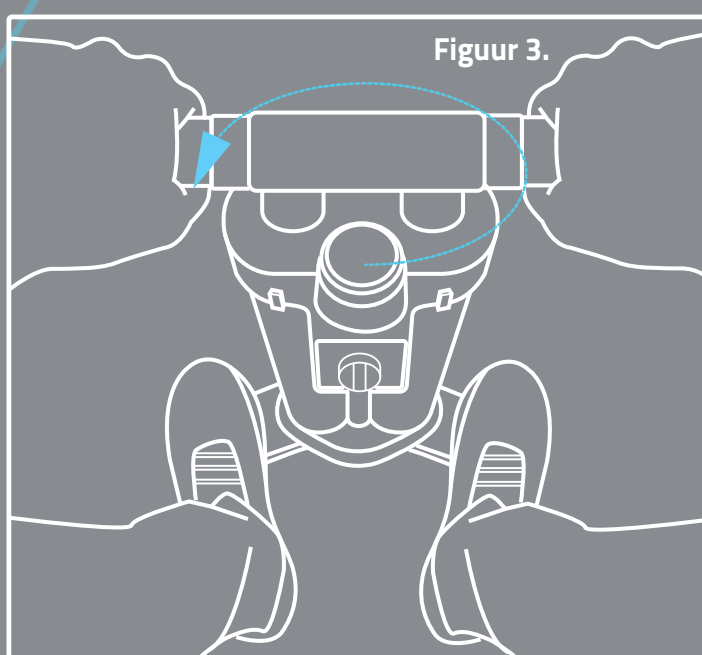
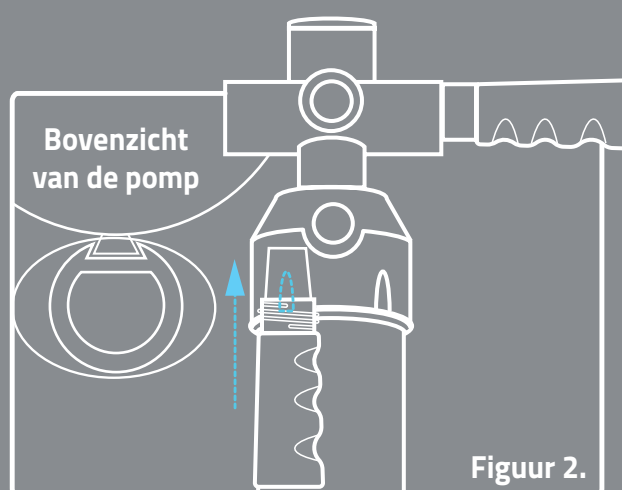
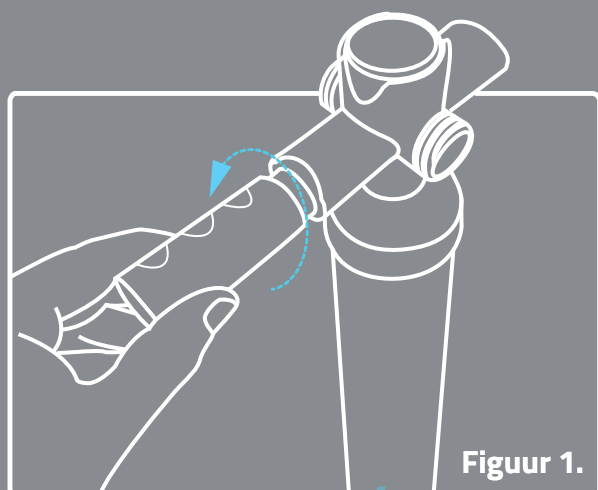


DE POMP DEMONTEREN

- Om de pomp compacter te maken, kun je de handgrepen verwijderen door deze tegen de klok in te draaien **Figuur 1** totdat ze volledig zijn losgedraaid. Schuif ze daarna in de daarvoor voorziene beugels.

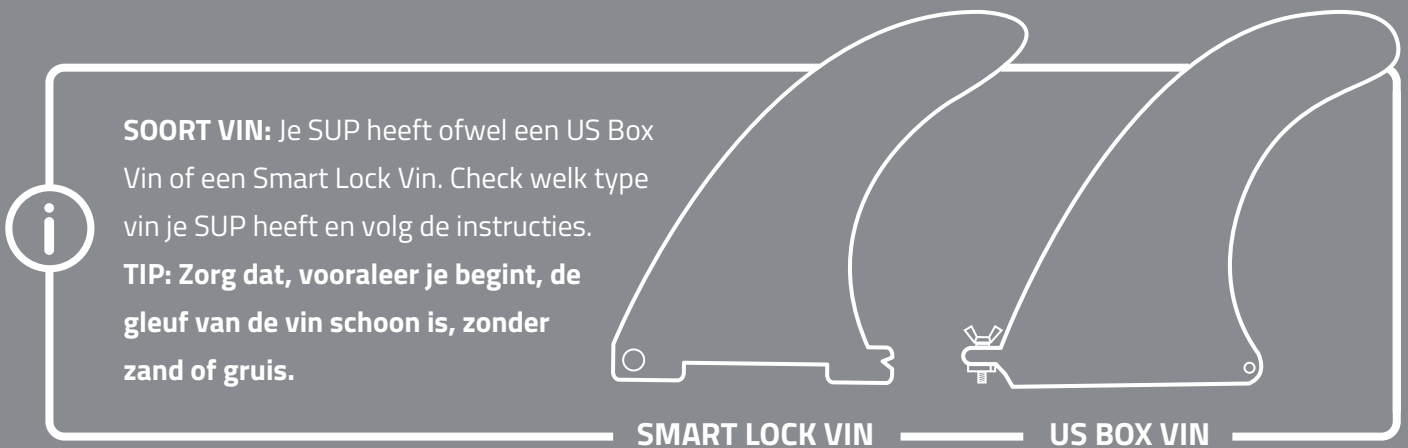
Figuur 2

- Ga op de voet staan om de voetplaat te verwijderen en draai de pomp, via de handgrepen, tegen de klok in. **Figuur 3**



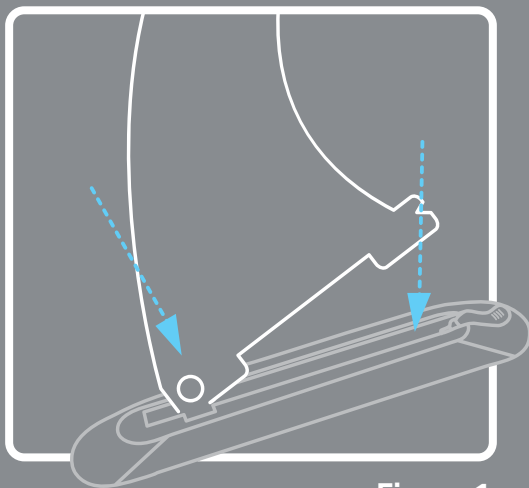
SMART LOCK VIN

BEVESTIGEN

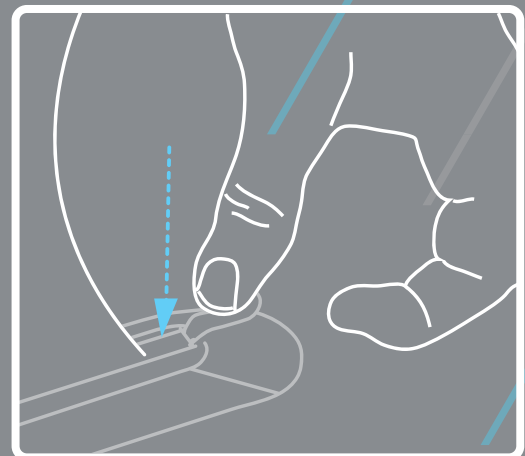


Smart Lock Vin System

- Schuif de vin via de opening in de gleuf. **Figuur 1**
- Duw het andere uiteinde van de vin stevig naar beneden tot je een duidelijk hoorbare klik hoort. Dit betekent dat je vin vast zit. **Figuur 2**



Figuur 1.

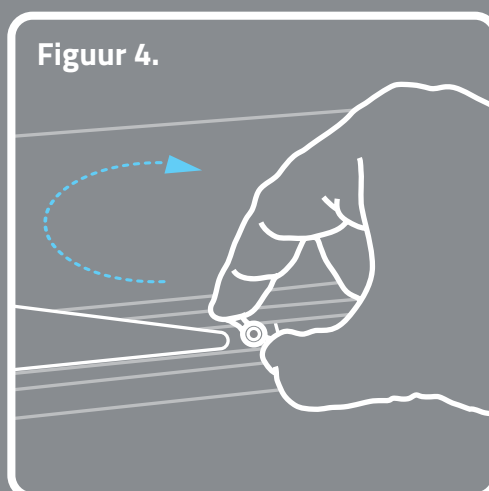
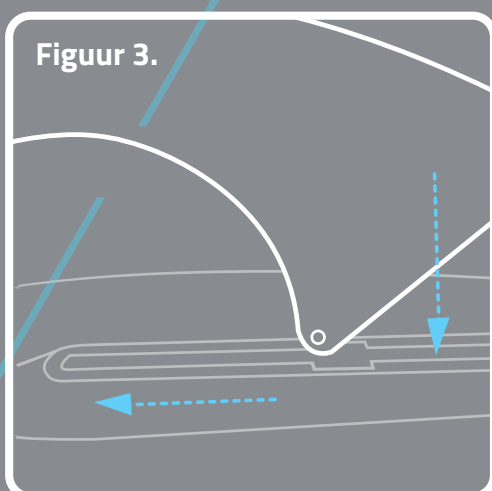
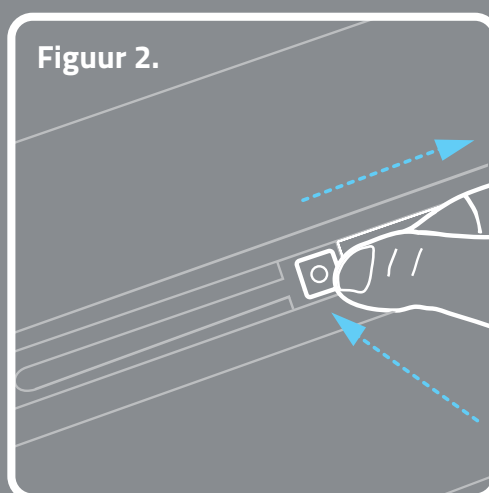
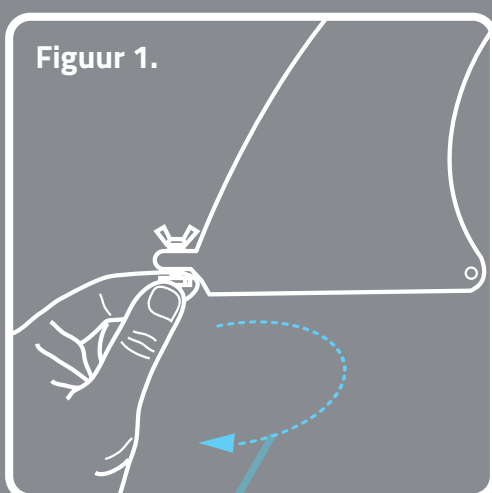


Figuur 2.

US BOX VIN BEVESTIGEN

US Box Fin System

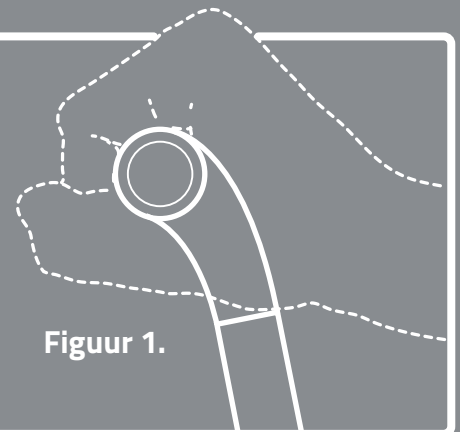
- Schroef de plaat los - **Figuur 1**- en plaats deze in de gleuf via de opening - **Figuur 2**.
TIP: Gebruik de schroef om de plaat op zijn plaats te schuiven.
- Schuif de vin via de centrale opening in de gleuf, schuif ze naar achteren en druk het andere einde stevig naar beneden. **Figuur 3**
- Zorg dat de schroef op één lijn ligt met de schroefplaat en draai totdat deze volledig vastzit. **Figuur 4**



PEDDEL IN ELKAAR ZETTEN



SUP PEDDEL: Je 3-delige peddel is eenvoudig in elkaar te zetten en is bovendien in hoogte verstelbaar. De ergonomische handgreep moet worden gehanteerd zoals afgebeeld in **Figuur 1**. Het Bluefin-logo moet zich tijdens het peddelen aan de voorkant van de steel bevinden. **Figuur 2**

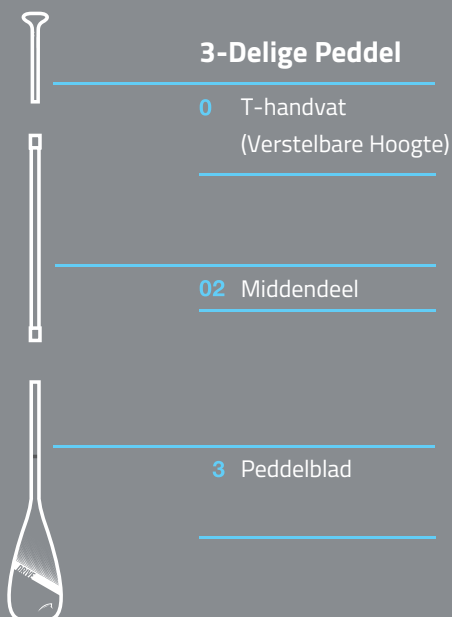


Figuur 1.

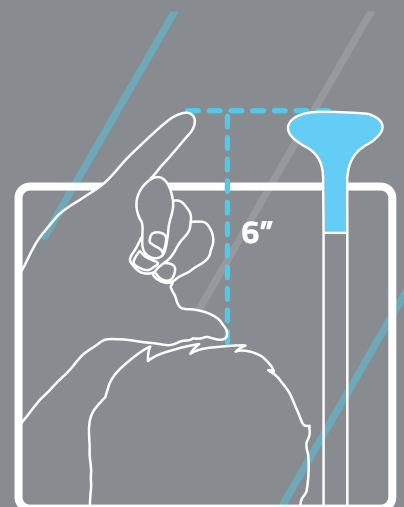
Peddel Constructie



- Gebruik de peddel in de juiste richting met het Bluefin-logo aan de voorkant van de steel. **Figuur 2**
- De peddellengte moet worden aangepast tot ongeveer 15 cm boven het hoofd van de gebruiker. **Figuur 3**



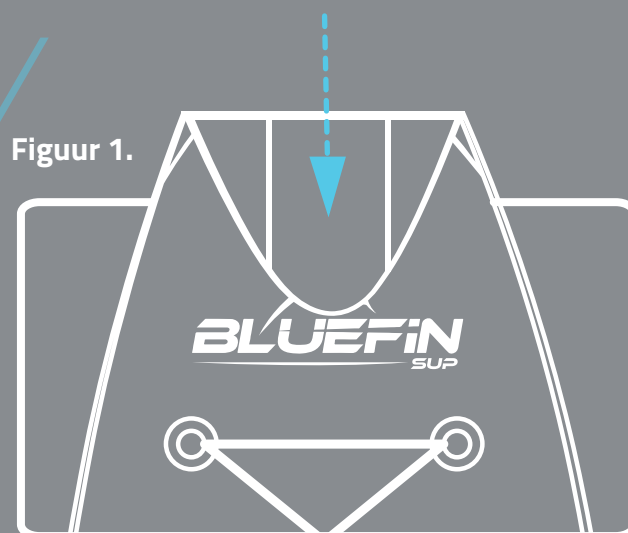
Figuur 2.



Figuur 3.

OPBERGEN

- Verwijder de grote centrale vin voordat je het board laat leeglopen en zorg ervoor dat je board schoon is en vrij van zand en gruis. Spuit je board, indien nodig, schoon om schimmelvorming te voorkomen tijdens het opbergen. Gebruik geen agressieve chemicaliën, het meeste vuil kan worden verwijderd met milde zeep en water.
- Laat alle ventielen van de SUP leeglopen door de ventieldoppen te verwijderen. Daarna kun je wat druk aflaten door lichtjes op de bout te drukken. TIP: Hang niet boven het ventiel tijdens het leeglopen.
- Om je board volledig leeg te laten lopen, druk je stevig op de bout en draai je de knop in een willekeurige richting om deze te vergrendelen. Je board zal nu snel leeglopen.
- Om er zeker van te zijn dat je alle lucht verwijdert, kun je voorzichtig op je SUP knielen of op het board gaan zitten om de resterende lucht eruit te laten. Eenmaal volledig leeggelopen, bevestig je de ventieldoppen opnieuw.
- Zorg ervoor dat je board zo plat mogelijk is. Vouw daarna het board op vanaf de neus. **Figuur 1**
- Berg de SUP op in de meegeleverde rugzak op een koele, droge plaats en uit de buurt van direct zonlicht.

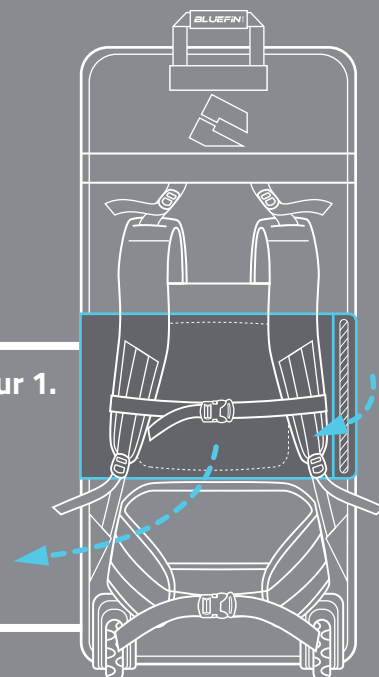


RIEMEN CARBON TAS

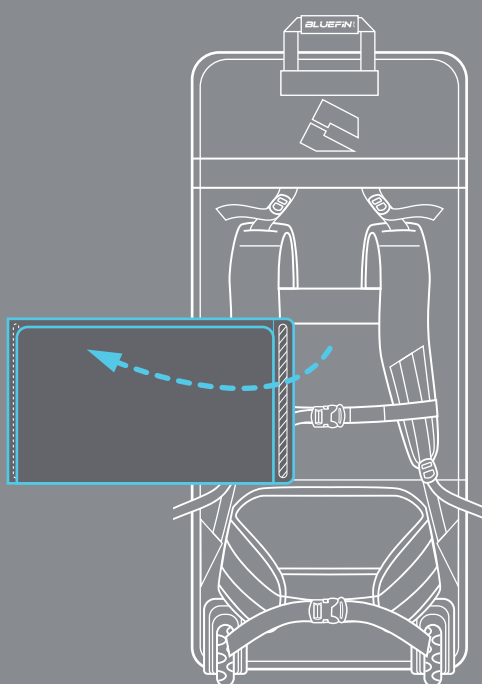


CARBON TAS: De volgende functie is alleen van toepassing op onze Carbon-tassen. Het is bedoeld om te voorkomen dat de draagriemen over de vloer slepen.

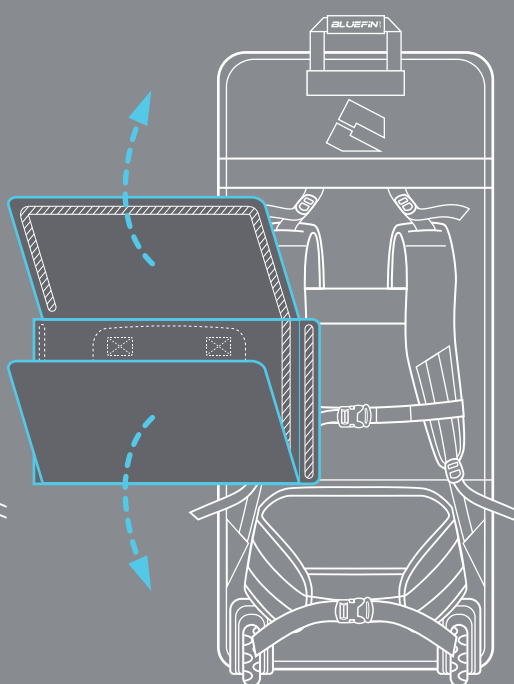
Figuur 1.



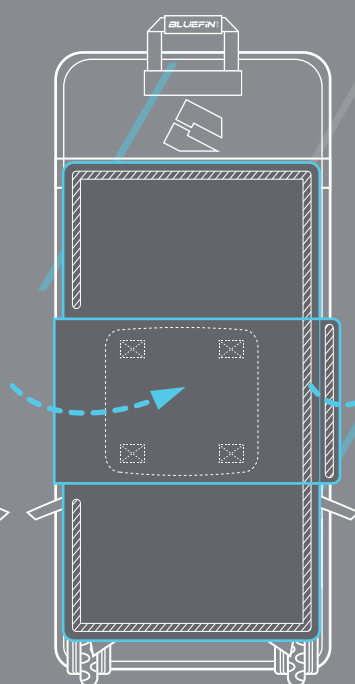
- Til het velcro-lipje op - **Figuur 1** - en maak het centrale gedeelte los om de riembescherming tevoorschijn te halen. **Figuur 2**
- Vouw de riembescherming open, zodat de draagriemen erin passen en maak ze vast met behulp van de velcro. **Figuur 3**
- Druk het velcro-lipje naar beneden om het vak terug te sluiten. **Figuur 4**
- Volg de stappen in omgekeerde volgorde om de riembescherming te openen en de draagriemen te gebruiken.



Figuur 2.



Figuur 3.



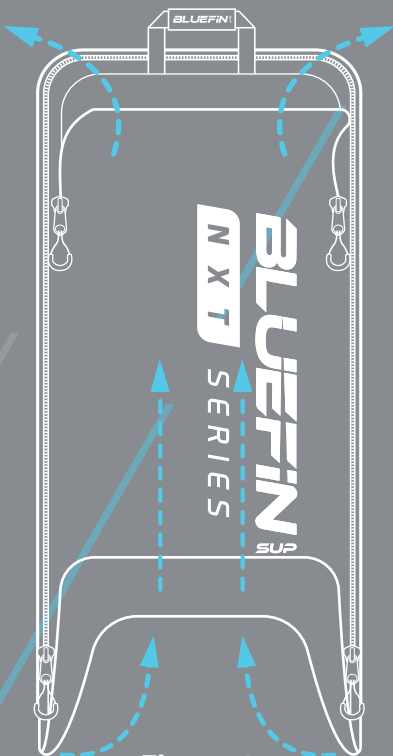
Figuur 4.

NXT TAS

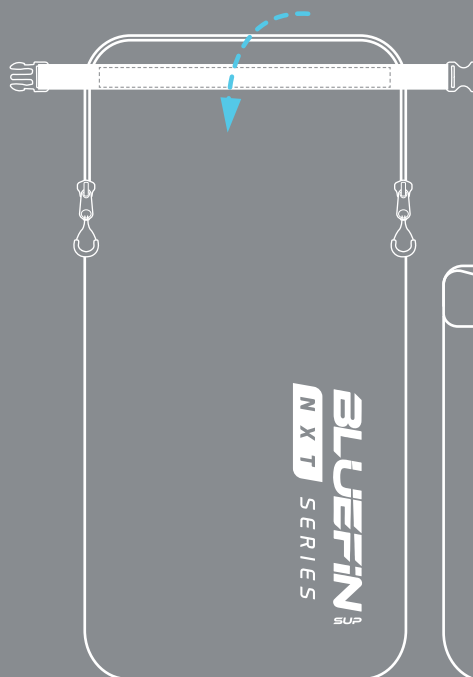
NXT TAS: De volgende functie is alleen van toepassing op onze Carbon-tassen. Verander de SUP-tas in een draagzak door de tas om te keren.



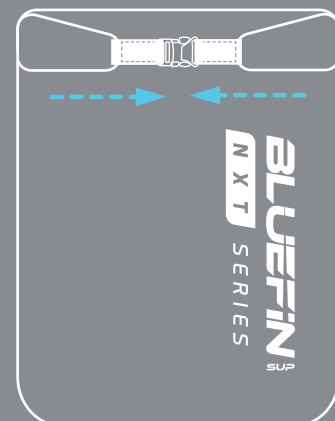
- Open het buitenste voorvak van de tas en trek het vak binnenstebuiten. **Figuur 1**
- Als de tas eenmaal door het voorste vak is getrokken, heb je een kleinere draagzak over met daarin de tas. **Figuur 2.** HET NXT-logo moet zich aan de buitenkant van de draagzak bevinden.
- Om de draagzak nog kleiner te maken, rol je de bovenkant van de zak naar beneden met behulp van het netje. Maak de gespen aan de zijkanten van de tas vast wanneer alles is opgerold. **Figuur 3**



Figuur 1.



Figuur 2.



Figuur 3.

VEILIGHEID EN VOORZORGSMAATREGELEN

- Bevestig, voor je eigen veiligheid, de meegeleverde leash aan je kuit of enkel. Bevestig één uiteinde aan de D-ring aan de achterkant van het board en maak de velcro stevig vast aan je kuit of enkel.
- Zorg tijdens het peddelen altijd voor geschikte kleding. Het wordt ten zeerste aanbevolen om een drijfvest of een ander persoonlijk drijfmiddel te dragen, en een wetsuit in koelere omstandigheden.
- Neem altijd een fles water mee. Er is ruimte voorzien voor een tas of koelbox in de opbergnetten.
- Bewaar je smartphone in de meegeleverde waterdichte hoes. Overweeg ook om een fluitje of zaklamp mee te nemen.
- Je board kan uitzetten bij zeer hoge temperaturen. Controleer de luchtdruk en laat je board zo nodig leeglopen.
- Berg je SUP op in de meegeleverde rugzak, op een koele, droge plaats en uit de buurt van direct zonlicht. Maak je board na elk gebruik schoon. Sputi het, indien nodig, schoon om te voorkomen dat er schimmelvorming ontstaat. Gebruik geen agressieve chemicaliën voor het reinigen. Het meeste vuil kan worden verwijderd met milde zeep en water.
- Je board beschikt over een reparatieset, met extra pleisters en een ventiel-gereedschap. Het ventiel moet af en toe worden aangedraaid om luchtlekken te voorkomen. Om het ventiel vast te draaien, moet je ervoor zorgen dat je SUP volledig is leeggelopen. Steek het gereedschap in het ventiel en duw het omhoog vanaf de onderkant van het board, om ervoor te zorgen dat het ventiel de schroefdraad raakt. Draai het gereedschap vervolgens met de klok mee totdat het ventiel volledig vast zit.
- Zorg ervoor dat er geen water in je SUP terechtkomt, want dit kan het board ernstig beschadigen. Als er water in het ventiel terechtkomt, verwijder dan het ventiel met behulp van het meegeleverde gereedschap. Verwijder het water en droog alles grondig voordat je het ventiel terug bevestigt en je board terug opblaast.

PROBLEMEN EN OPLOSSINGEN

Probleem	Controle	Oplossing
Mijn pomp werkt niet	Controleer of de pompslang beschadigd of geblokkeerd is.	Verwijder eventuele verstoppingen uit de slang of vervang deze bij beschadiging.
	Er is een probleem met de verbinding tussen slang/pomp/ventiel.	Stop met opblazen, check of alles stevig met elkaar verbonden is en verbind, indien nodig, alles opnieuw.
	De PSI drukmeter werkt niet	De PSI waarde wordt pas weergegeven wanneer je 7 PSI bereikt.
		Als het probleem niet opgelost raakt, neem dan contact met ons op. Je kunt bijkomende informatie vinden op www.bluefinsupboards.com/info-zone/maintenance-repair/
Er zit een lek in mijn board	Als het board opgeblazen is, breng, met een doek, afwasmiddel aan op het ventiel.	Als er bubbels ontstaan, draai dan het ventiel terug vast met het meegeleverde gereedschap. Laat je board leeglopen, pak de moer onder je board vast, steek het ventielgereedschap erin en draai met de klok mee totdat het ventiel terug volledig vast zit.
	Als het board leeggelopen is, breng, met een doek, afwasmiddel aan op het dek en de zijkanten.	Als je bubbels ziet op de naden en het dek, kun je het lek makkelijk herstellen met de meegeleverde pleisters en een sterke lijm. Breng lijm aan op zowel je board als op de onderkant van de pleister. Laat de lijm kleverig worden voordat je de pleister aanbrengt. TIP: Je kunt de zone behandelen met een haardroger om ze sneller te laten opdrogen.
		Als het probleem niet opgelost raakt, neem dan contact met ons op. Je kunt bijkomende informatie vinden op www.bluefinsupboards.com/info-zone/maintenance-repair/

PROBLEMEN EN OPLOSSINGEN

Probleem	Controle	Oplossing
Eén of meerdere van mijn D-ringen zijn losgeraakt	Controleer of je de D-ring terug kunt vastlijmen of of je een nieuwe nodig hebt	Gebruik een stevige lijm om de D-ring opnieuw aan te brengen, koop een nieuwe D-ring bij een leverancier of neem contact op met ons om de D-ring te vervangen. Als het probleem niet opgelost raakt, neem dan contact met ons op. Je kunt bijkomende informatie vinden op www.bluefinsupboards.com/info-zone/maintenancerepair/
Er zit een bult aan de onderkant van mijn board	Er is een duidelijk zichtbare bult aan de onderkant van het board, onder het ventiel	Maak je geen zorgen. Dit is normaal. Soms kun je de bult niet zien door een vin of een ander detail, maar bij bepaalde modellen is de bult duidelijk zichtbaar. Dit is een gevolg van een opening in de drop-stitch en om ruimte te maken voor het ventiel. Het heeft op geen enkele manier invloed op de prestaties of kwaliteit van je SUP.
Mijn SUP past niet in de rugzak	Mijn board is heel krap en past niet in de rugzak	Vouw je SUP open zorg dat alle lucht eruit is geperst. Je kunt op je knieën op je board kruipen of zoveel mogelijk druk uitoefenen. Rol de SUP op in kleine stappen en probeer opnieuw. Bij sommige grotere modellen kan het helpen om de zijkanten naar binnen te vouwen voordat je gaat rollen. Als het probleem niet opgelost raakt, neem dan contact met ons op. Je kunt bijkomende informatie vinden op www.bluefinsupboards.com/info-zone/maintenancerepair/

PROBLEMEN EN OPLOSSINGEN

Probleem	Controle	Oplossing
De vin past niet in de gleuf	De vingleuf is vervormd en de vin past er niet meer in	Verhit het plastic van de vingleuf met een haardroger, zodat je de vin er weer in kunt klikken. Laat de vin een paar uur in de gleuf, zodat de gleuf terug zijn oorspronkelijke vorm aan neemt. Als het probleem niet opgelost raakt, neem dan contact met ons op. Je kunt bijkomende informatie vinden op www.bluefinsupboards.com/info-zone/maintenance-repair/
Ik verlies mijn vin altijd. Waarom is ze zo zwaar?	Controleer de vingleuf op beschadiging en klik de vin opnieuw vast	Een zware vin verbetert de wendbaarheid, vooral in moeilijke omstandigheden. Zorg dat de vin stevig vast zit om verlies of beschadiging te voorkomen. Om je vin te vervangen, neem een kijkje op www.bluefinsupboards.com
Er zit water of vocht in mijn SUP	Los dit zo snel mogelijk op	Verwijder het ventiel met behulp van het meegeleverde ventielgereedschap. Pomp lucht door het lege gat gedurende 20 minuten. Leg je board daarna op een koele, droge plaats met voldoende ventilatie gedurende ten minste 24 uur. Als het probleem niet opgelost raakt, neem dan contact met ons op. Je kunt bijkomende informatie vinden op www.bluefinsupboards.com/info-zone/maintenance-repair/

BLUFIN
SUP

PECHHULP



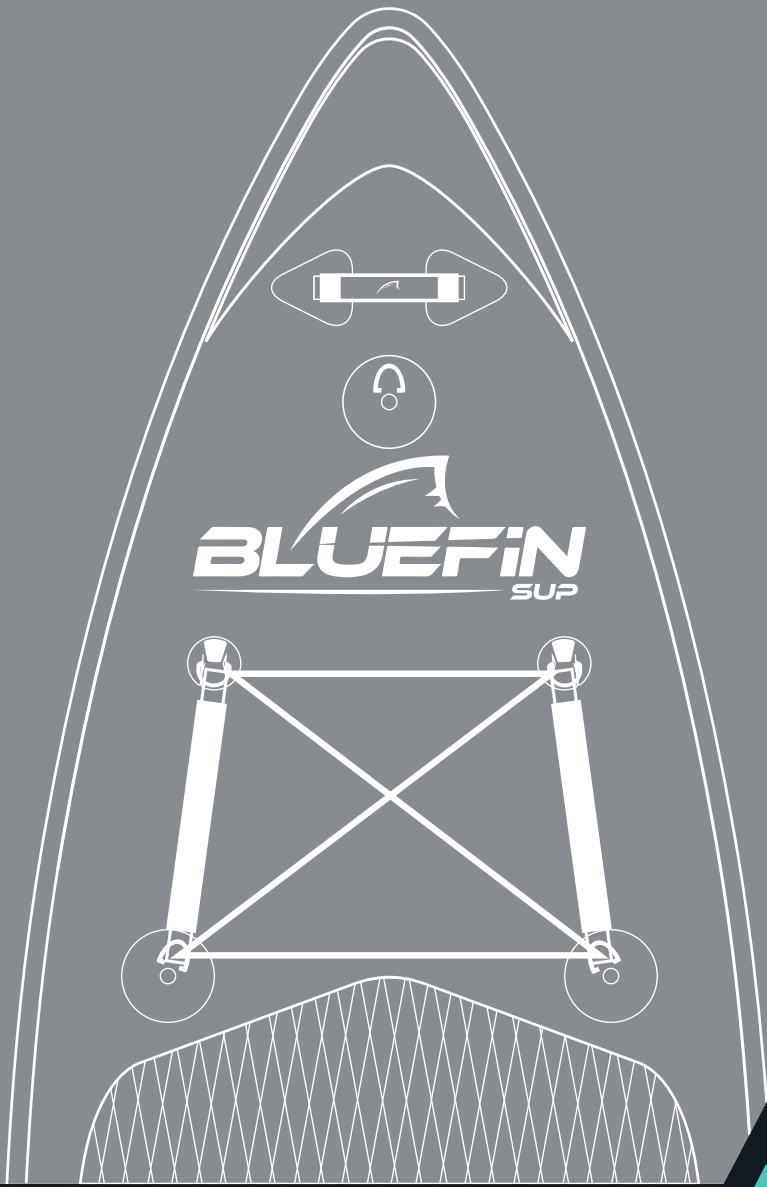
bluefinsupboards.com

VERLENGDE GARANTIE |
BLUFIN SUP VERLENGDE GARANTIE |

REGISTREER JE GARANTIE



Of bezoek bluefinsupboards.com/nl/activeer



UPPBLÅSBARA SUP-BRÄDOR

INSTRUKTIONS-
MANUAL



INNEHÅLL

Välkommen	2
Påfyllning av luft	3
Påfyllning av luft – Carbon	4
Påfyllning av luft – Voyage	5
Pumpen Swift Pro	6
Pumpen Swift Maxi	8
Demontering av pump	10
Montering av Smart Lock-fena	11
Montering av US Box-fena	12
Montering av paddel	13
Nedmontering och förvaring	14
Skydd av Carbon-väskans axelremmar	15
Omvandling till NXT-väska	16
Säkerhet och skötsel	17
Felsökning	18
Garanti vid fel	21

SE

VÄLKOMMEN TILL KLUBBEN

Hey,

Välkommen till Bluefin Sup Community! Vi är glada att ha dig med ombord. Din resa med oss tar inte slut i samband med ditt köp.

Som medlem i vår community har du många fördelar, bland annat livslång support från vårt kundserviceteam och en utökad garanti på alla våra produkter. Kom ihåg att aktivera din garanti genom att skanna QR-koden (se under "Garanti vid fel") eller via vår hemsida.

Vi önskar dig mycket nöje med din produkt och hoppas att du vill testa fler produkter i Bluefin SUP-sortimentet. För att få optimal glädje av din produkt rekommenderar vi att du läser igenom den här manualen och behåller den för framtida bruk.

Du hittar även ytterligare hjälp och tips via www.bluefinsupboards.com.

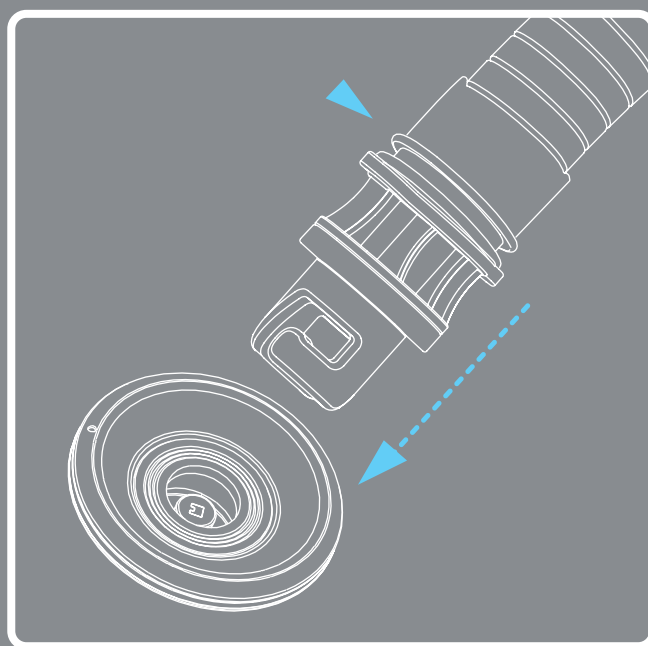
Hälsningar från Bluefin SUP-teamet

PÅFYLLNING AV LUFT



WARNING: Använd bara den medföljande pumpen, eller en pump som rekommenderas för din SUP. Använd INTE en luftkompressor, eftersom du riskerar att brädan fylls med för mycket luft och får skador som inte går att reparera. Garantin gäller inte vid skador på grund av att brädan fyllts med för mycket luft.

- Packa upp och rulla ut din Bluefin SUP på en jämn, ren och plan yta.
- Koppla pumpens slangventil till SUP-brädans luftventil. Tryck in slangventilen ordentligt och vrid den medurs för att fästa den ordentligt. **Figur 1**
- Innan du börjar pumpa, kontrollera rekommenderat PSI-tryck vid SUP-brädans ventil(er) och blås upp till lämplig nivå. Fyll INTE på för mycket luft i SUP-brädan.
- PSI-trycket kanske inte registreras på pumpen förrän du når upp till minst 7 PSI – fortsätt bara pumpa!
- När önskat lufttryck har uppnåtts, koppla försiktigt bort pumpens slangventil och stäng SUP-brädans luftventil.



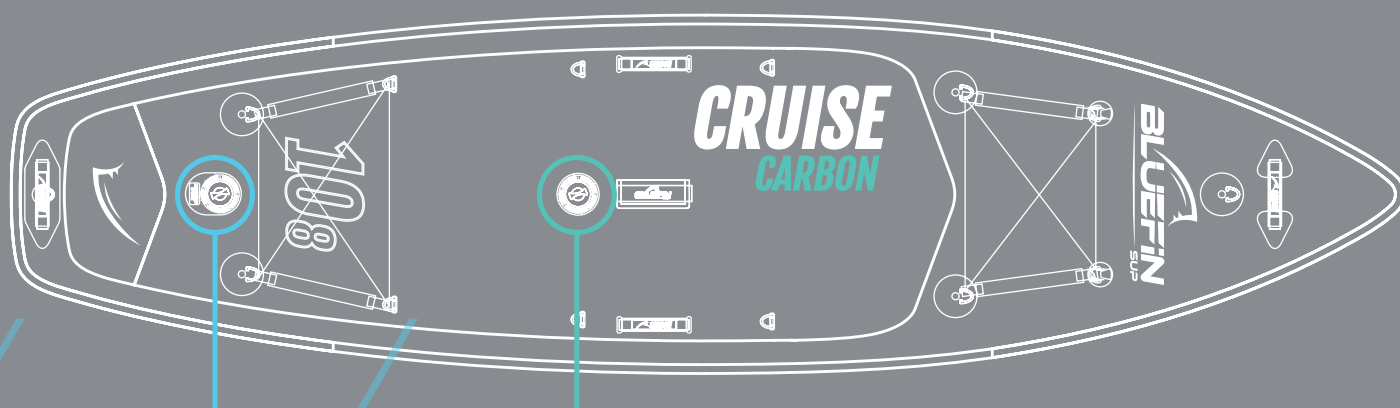
PÅFYLLNING

AV LUFT – CARBON



WARNING: Använd bara den medföljande pumpen, eller en annan rekommenderad pump. Använd INTE en luftkompressor, eftersom du riskerar att brädan fylls med för mycket luft och får allvarliga skador som inte går att reparera. Garantin gäller inte vid skador på grund av att brädan fyllts med för mycket luft.

- För Carbon-brädorna med dubbla luftkammare, blås först upp den inre kammaren i brädans mitt. **Figur 2** Blås upp till rekommenderat PSI-tryck. **Figur 3**
- Blås därefter upp den yttre luftkammaren vid brädans tail (se **figur 1**) till det rekommenderade PSI-tryck som anges vid ventilen. **Figur 3**



Figur 1.
(Blås upp först)

Figur 2.
(Blås upp därefter)

Figur 3.

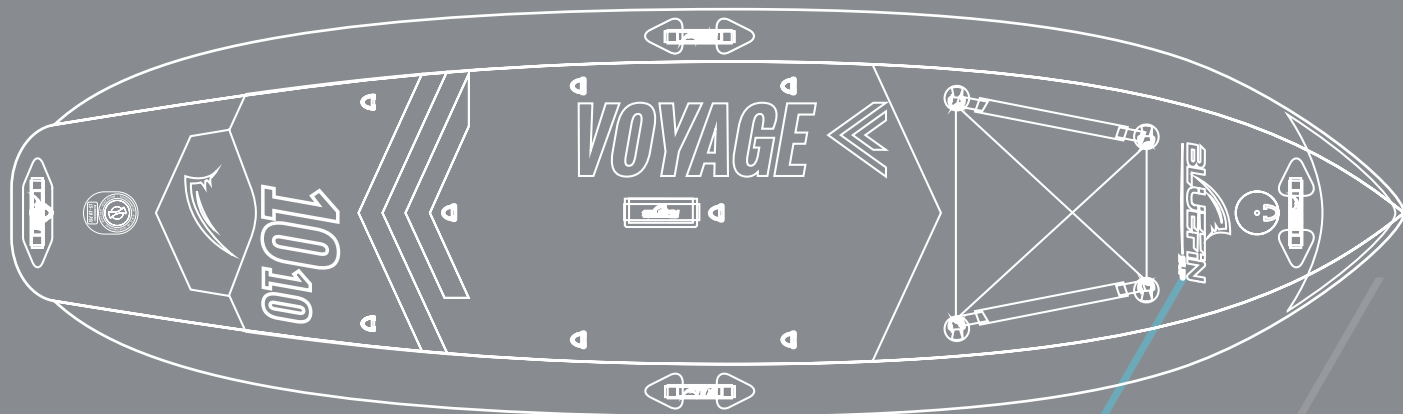


PÅFYLLNING AV LUFT VOYAGE

WARNING: Använd bara den medföljande pumpen, eller en annan rekommenderad pump.

Använd **INTE** en luftkompressor, eftersom du riskerar att brädan fylls med för mycket luft och får allvarliga skador som inte går att reparera. Garantin gäller inte vid skador på grund av att brädan fyllts med för mycket luft.

- För Voyage med dubbla uppblåsbara railkammare, blås först upp den inre kammaren **Figur 1** till det rekommenderade PSI-tryck som finns angivet vid ventilen. **Figur 3**
- Blås därefter upp de två railkamrarna (Figur 2) till det rekommenderade PSI-tryck som finns angivet vid ventilen. **Figur 4**



Figur 1.
(Blås upp först)

Figur 2.
(Blås upp därefter)

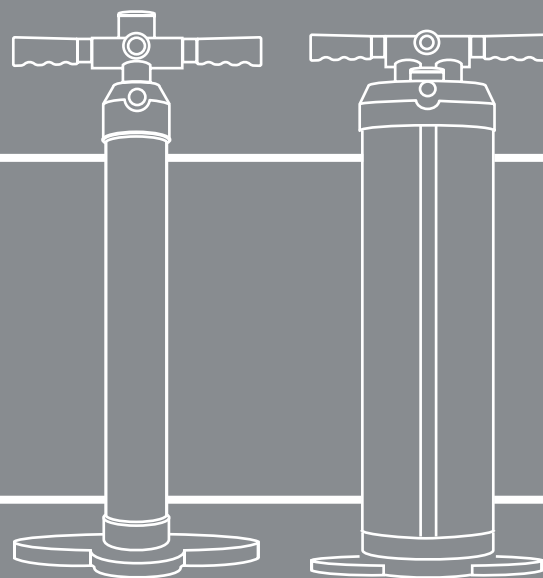
Figur 3.

Figur 4.



PUMPEN

SWIFT PRO



Figur 1.

Figur 2.

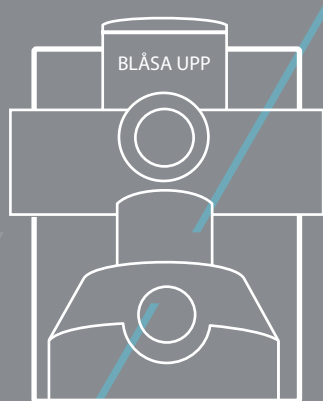


"TYP AV PUMP: Din SUP levereras antingen med en pump med enkel kammare **Figur 1** eller dubbla kammare. **Figur 2** Kontrollera pumptypen och följ instruktionerna för påfyllning av luft.

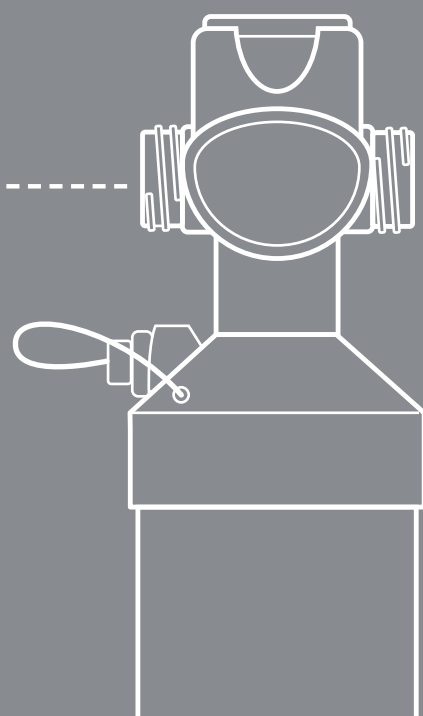
Pump med enkel kammare



- För att blåsa upp brädan, fäst slangen genom att vrida den medurs i pumpens luftutlopp märkt "inflate". **Figur 3** För att tömma brädan på luft, fäst slangen genom att vrida den medurs i pumpens luftutlopp märkt "deflate". **Figur 4**



Figur 3.



Figur 4.

PUMPEN

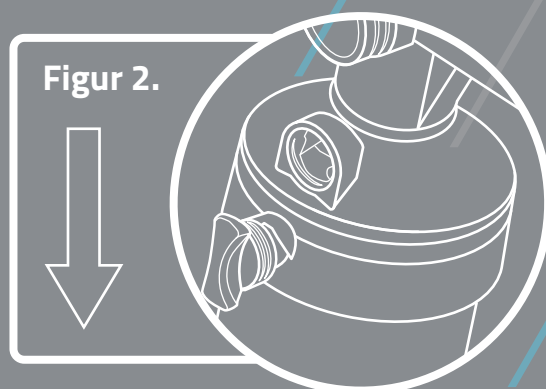
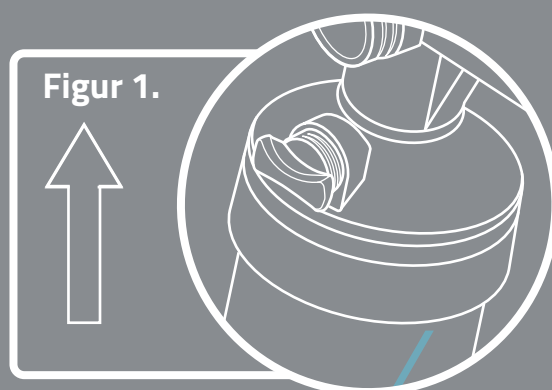
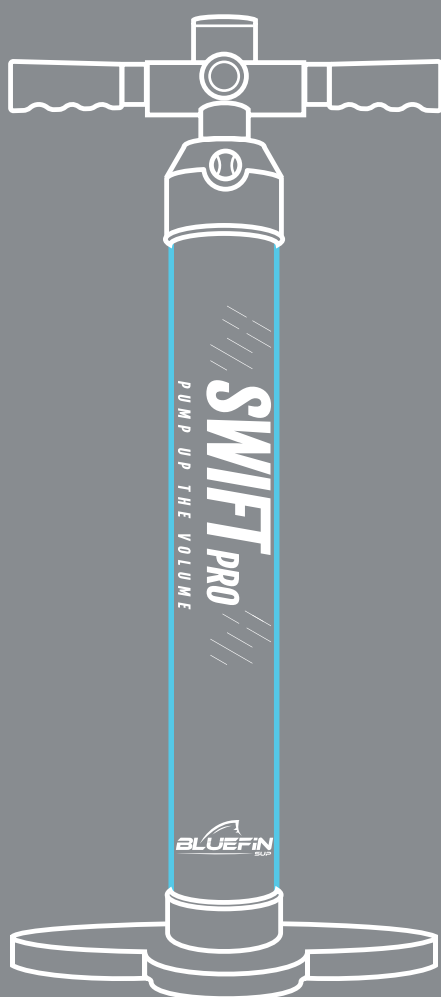
SWIFT PRO

- För att använda pumpen med dubbel funktion (pumpen fyller på luft i både uppåt- och nedåtrörelsen), fäst det dubbelverkande munstycket i luftinloppet genom att vrida medurs tills det sitter ordentligt fast

Figur 1 - Använd den här funktionen för att snabbt fylla på/tömna stora mängder luft.

- För att använda pumpen med enkel funktion (pumpen fyller bara på eller tömmer luft i nedåtrörelsen), avlägsna det dubbelverkande munstycket genom att vrida det moturs tills luftinloppet är öppet och fritt

Figur 2 - Använd den här funktionen när du fyller på luft med högt tryck, i slutet av påfyllningen.



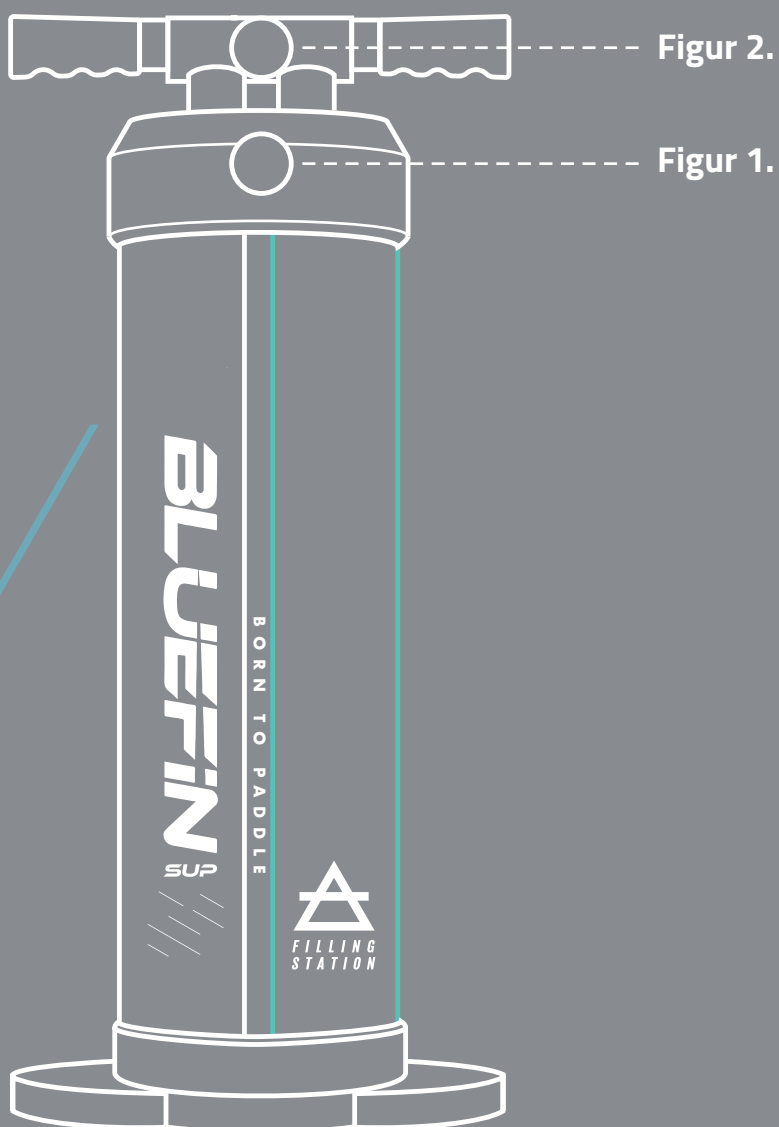
PUMPEN

SWIFT MAXI

Pump med två kammare



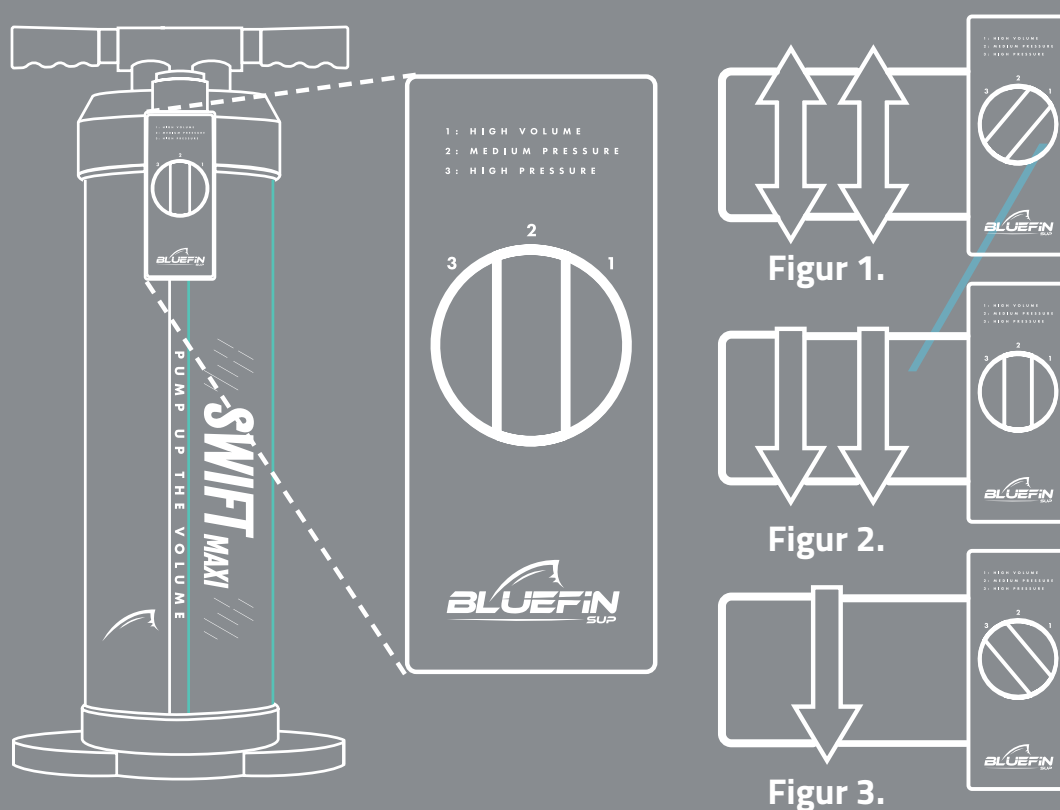
- För att blåsa upp brädan, fäst slangen genom att vrida den medurs i pumpens luftutlopp märkt "inflate".
Figur 1 För att tömma brädan på luft, fäst slangen genom att vrida den medurs i pumpens luftutlopp märkt "deflate". **Figur 2**



PUMPEN

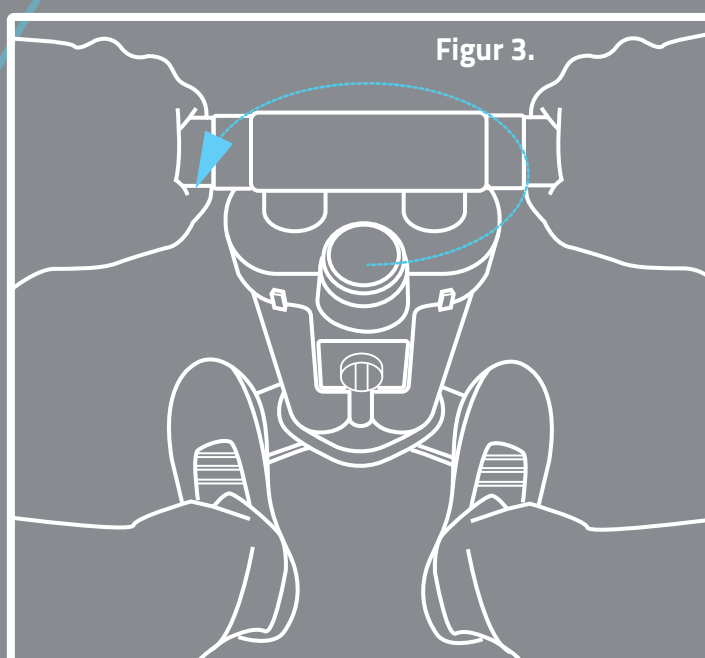
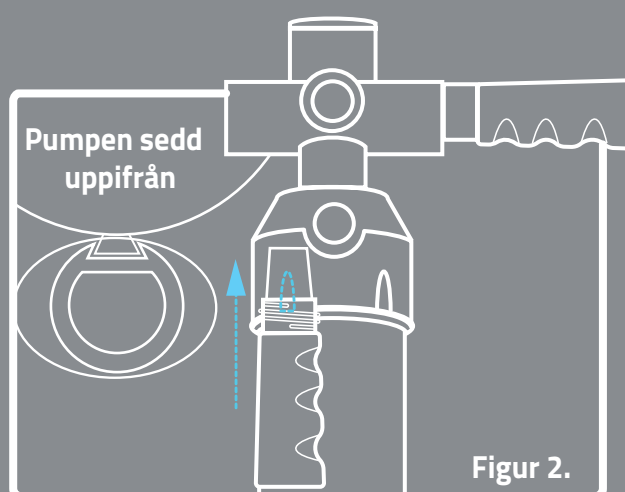
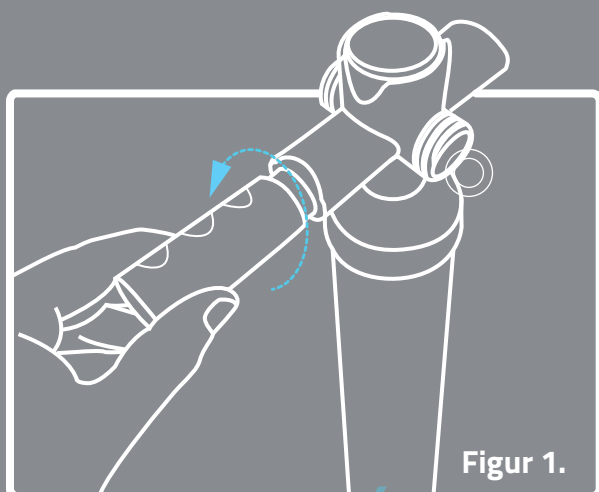
SWIFT MAXI

- För att använda pumpen med dubbla kammare, dubbel funktion (pumpen fyller på eller tömmer luft i både uppåt- och nedåtrörelsen med hjälp av båda kamrarna), vrid reglaget på pumpens framsida till alternativ 1. **Figur 1 - Använd den här funktionen för att snabbt fylla på/tömna stora mängder luft.**
- För att använda pumpen med dubbla kammare, enkel funktion (pumpen fyller bara på eller tömmer luft i nedåtrörelsen med hjälp av båda kamrarna), vrid reglaget på pumpens framsida till alternativ 2. **Figur 2 - Använd den här funktionen för att snabbt fylla på/tömna stora mängder luft med mindre motstånd än i läget med dubbla kammare och dubbel funktion.**
- För att använda pumpen med enkel kammare, enkel funktion (pumpen fyller bara på eller tömmer luft i nedåtrörelsen med hjälp av en enda kammare), vrid reglaget på pumpens framsida till alternativ 3. **Figur 3 - Använd den här funktionen när du fyller på luft med högt tryck, i slutet av påfyllningen.**

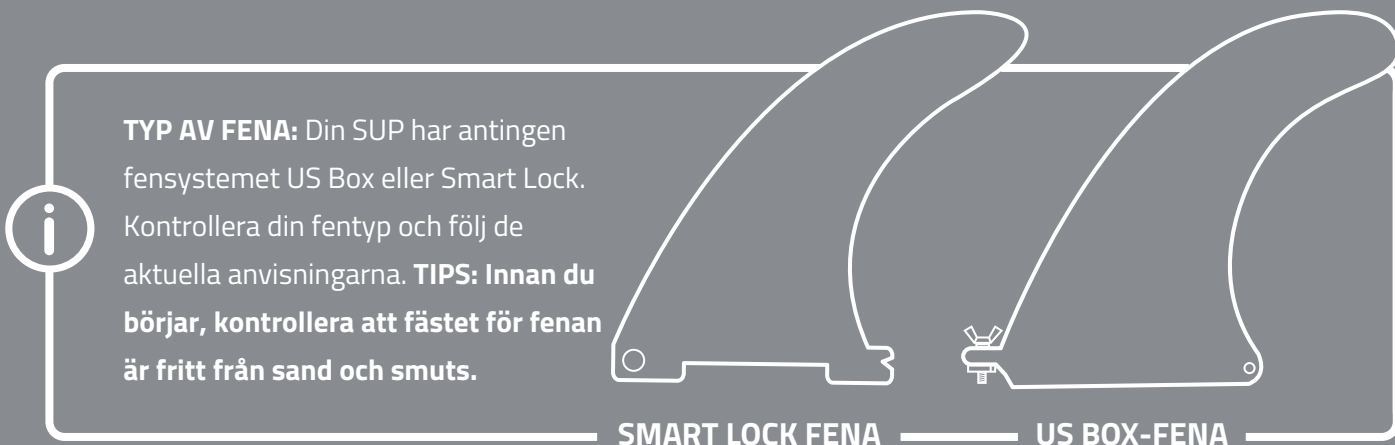


DEMONTERING AV PUMP

- "För att göra pumpen mer kompakt, avlägsna pumpens handtag genom att vrida dem moturs **Figur 1** tills de har lossnat helt, och skjut in dem i de två fästena". **Figur 2**
- Avlägsna fotplattan genom att ställa dig på basen och vrida pumpen moturs med hjälp av handtagen. **Figur 3**



MONTERING AV SMART LOCK-FENA

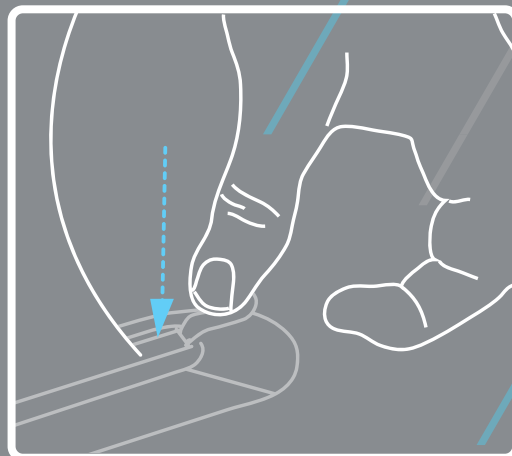
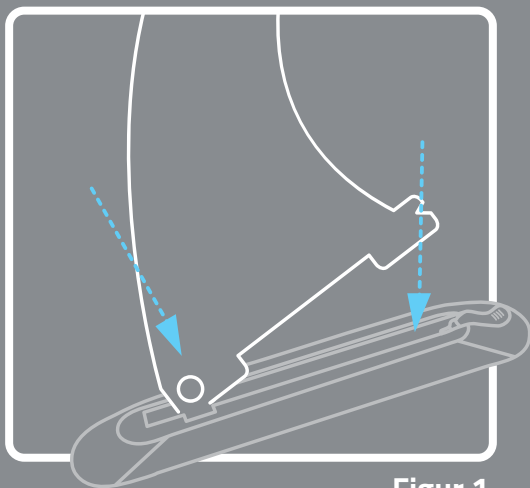


Smart Lock fensystem



För in fenan i fenboxens skåra via öppningen i skårans ände. **Figur 1**

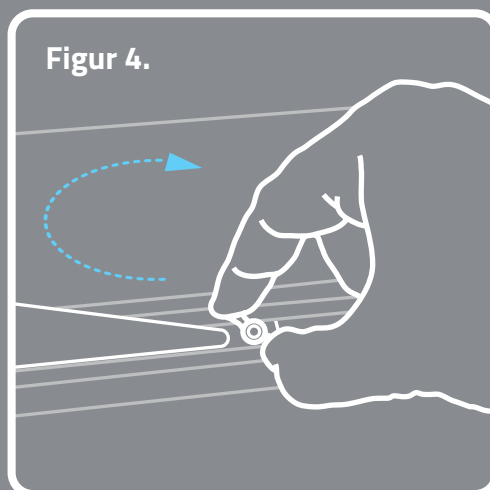
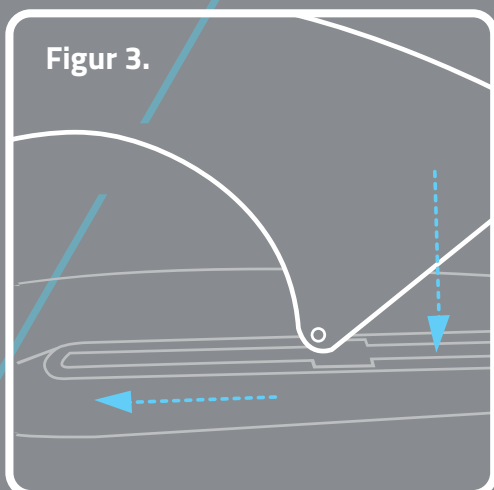
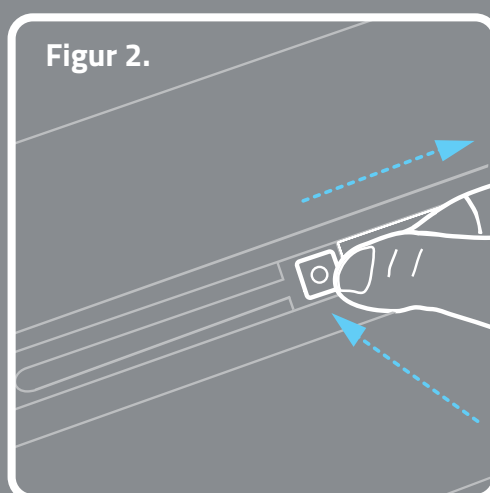
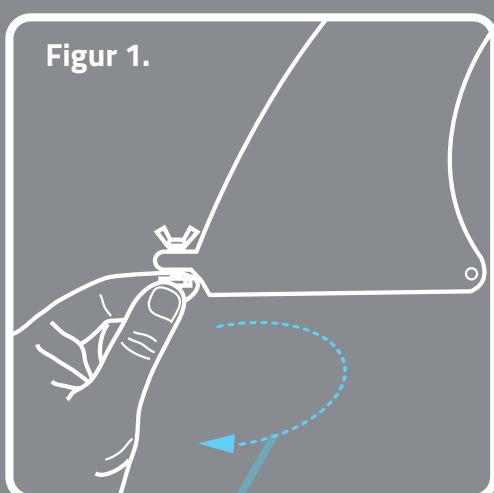
Tryck bestämt ner fenans andra ände och lås fast den genom att trycka ner ändlåset tills du hör ett tydligt klickljud. **Figur 2**



US BOX FIN ATTACHMENT

Montering Av Us Box-fena

- Lossa plattan från skruven **Figur 1** och placera den i fenans skåra via skåröppningen. **Figur 2**
TIPS: Använd skruven för att skjuta plattan på plats längs skåran.
- För in fenan i fenboxens skåra via mittöppningen, skjut fenan bakåt och tryck bestämt ner den andra änden. **Figur 3**
- Linjera skruven med skruvplattan och dra åt tills den sitter ordentligt fast. **Figur 4**



MONTERING AV PADDEL



SUP-PADDEL: Din tredelade paddel är enkel att montera och går att justera i längd. Det ergonomiska greppet ska användas som bilden visar. **Figur 1** Bluefin-logotypen ska hamna fram på paddelskaftet när du paddlar. **Figur 2**

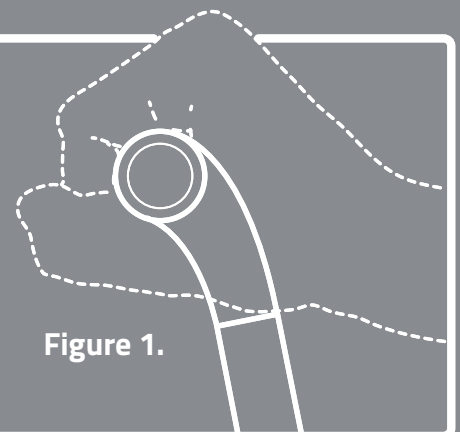
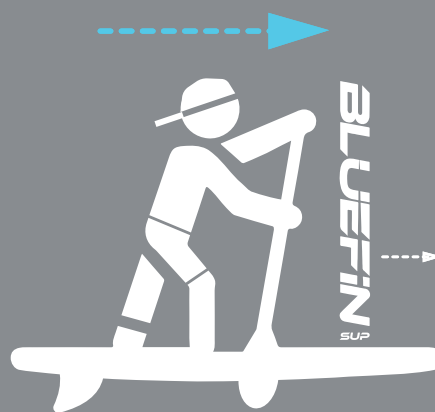


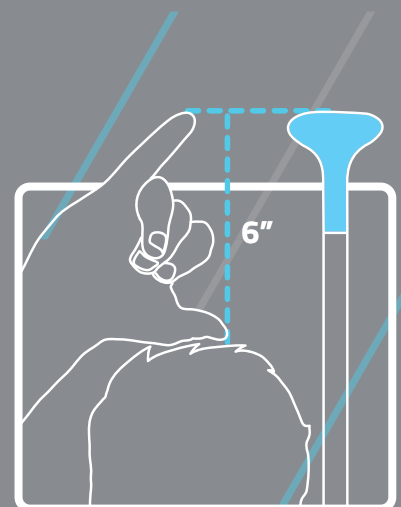
Figure 1.

Paddelns konstruktion

- Använd paddeln åt rätt håll med Bluefin-logotypen fram på paddelskaftet. **Figur 2**
- Paddeln ska justeras så att den blir cirka 15 cm längre än användaren. **Figur 3**



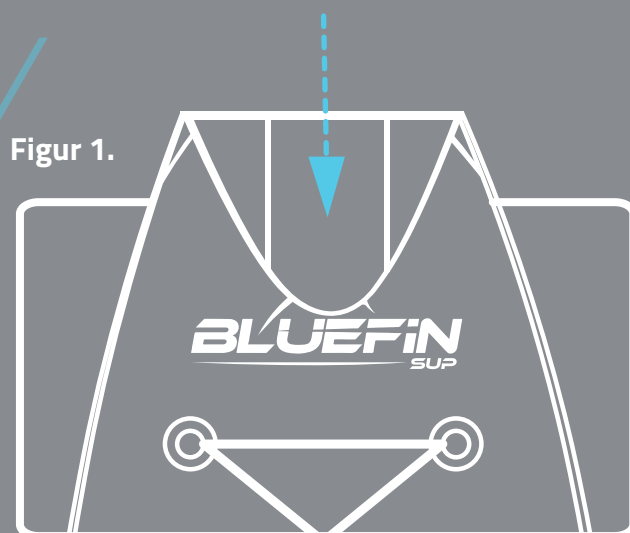
Figur 2.



Figur 3.

NEDMONTERING OCH FÖRVARING

- Innan du tömmer brädan på luft, avlägsna den stora mittfenan och kontrollera att den är fri från sand och smuts. Skölj av den med slang vid behov för att undvika mögelbildning vid längre förvaring. Använd inga starka kemikalier vid rengöringen. Du kan få bort nästan all smuts med en mild två och vatten.
- Töm SUP-brädans luftkammare genom att först avlägsna ventillocket. Sedan kan du försiktigt lätta lite på trycket genom att trycka lätt på ventilknappen. TIPS: Stå inte lutad rakt över ventilen när du släpper ut det första lufttrycket.
- För att tömma brädan helt på luft, tryck ner ventilknappen helt och vrid knappen åt valfritt håll för att låsa fast den. Brädan kommer nu snabbt att tömmas på luft.
- För att brädan ska tömmas helt kan du försiktigt ställa dig på knä och krypa eller sätta dig på delar av brädan för att få ut den sista luften. När brädan är helt tömd på luft sätts ventillocken tillbaka igen.
- För kompakt förvaring bör din bräda vara så platt som möjligt. När brädan har plattats till, rulla och vik brädan från brädans nose och nedåt. **Figur 1**
- Packa och förvara SUP-brädan i den medföljande ryggsäcken på en sval och torr plats skyddad från direkt solljus.

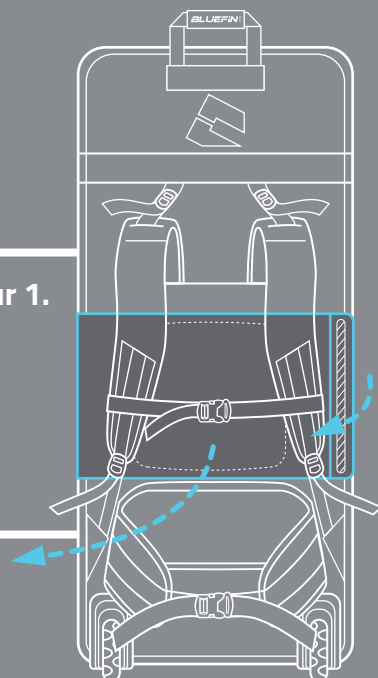


SKYDD AV CARBON-VÄSKANS AXELREMMAR

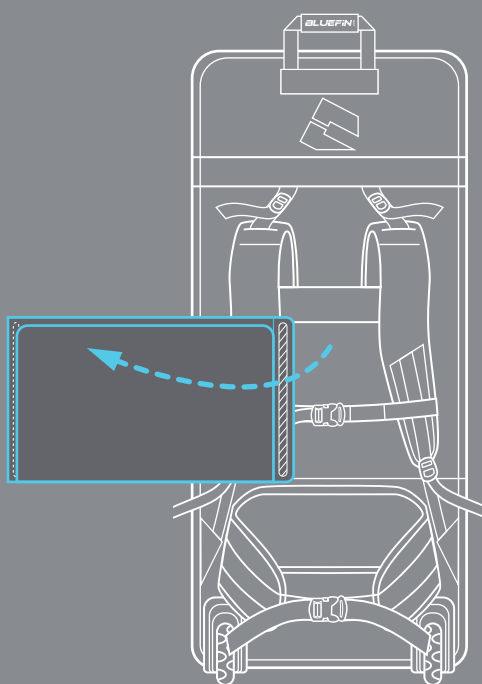


CARBON-VÄSKAN: Följande funktion finns bara på väskor av Carbon-modell. Den är till för att förhindra att axelremmarna släpar i marken när väskan rullas på hjul.

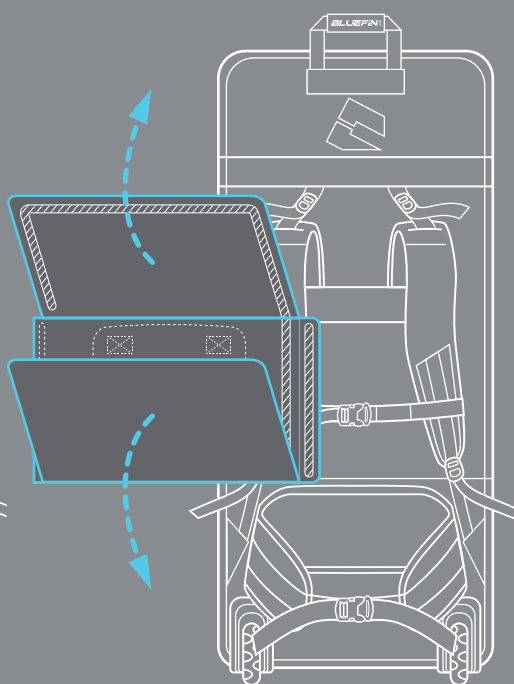
Figur 1.



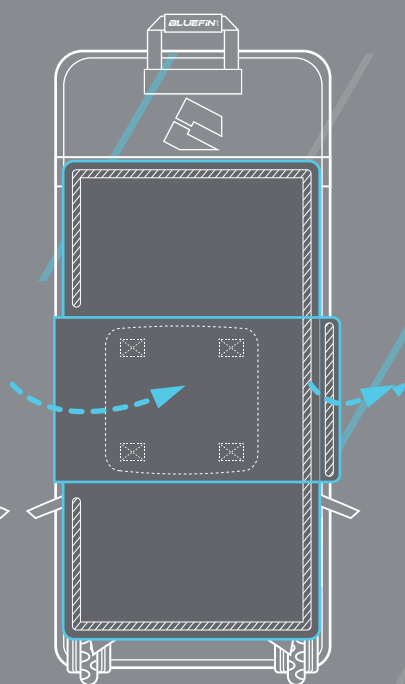
- Lyft kardborrefliken **Figur 1** och lossa mittdelen av vadderingen för att dra ut remskyddet. **Figur 2**
- Vik upp remskyddet för att skapa ett utrymme där axelremmarna kan förvaras och fäst med kardborrekanten. **Figur 3**
- Tryck ner kardborrekanten och sätt tillbaka kardborrefliken. **Figur 4** För att avlägsna remskyddet och använda axelremmarna igen upprepar du stegen i motsatt ordning.



Figur 2.



Figur 3.



Figur 4.

OMVANDLING TILL NXT-VÄSKA



NXT-VÄSKA: Följande funktion finns bara på väskor av NXT-modell. Förvandla SUP-väska till en mindre förvaringspåse genom att vända väskan ut och in genom ytterfacket.



NXT-VÄSKA: Följande funktion finns bara på väskor av Carbon-modell. Förvandla SUP-väska till en mindre förvaringspåse genom att vända väskan ut och in genom ytterfacket.

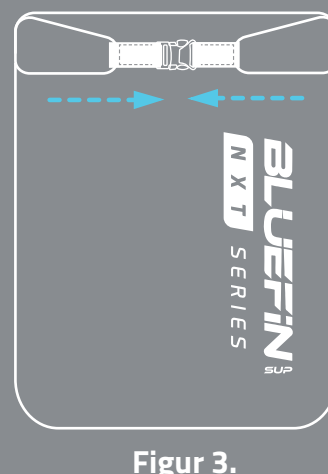
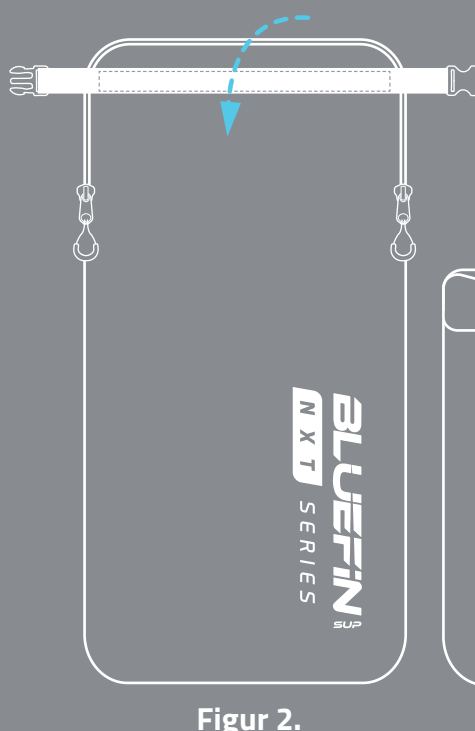
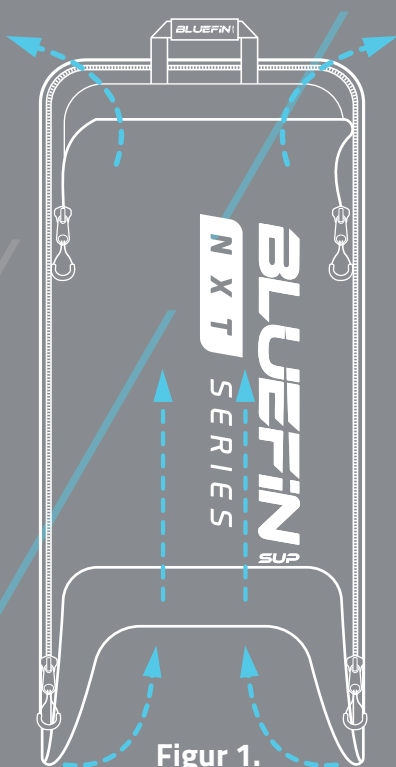
Öppna det främre ytterfacket på väskan och börja vända väskan ut och in. **Figur 1**

När hela väskan har dragits in i ytterfickan har du en mindre förvaringspåse med den större väskan inuti.

Figur 2 NXT-märket ska nu synas på utsidan av förvaringspåsen.

För att göra påsen ännu mindre kan du rulla ner påsens överkant med hjälp av förvaringsnätet.

Låt spännena hänga längs påsens sidor och fäst dem när överkanten har rullats ner. **Figur 3**



SÄKERHET OCH SKÖTSEL

- För din egen säkerhet bör du alltid ha fotremmen fäst runt fotleden eller vaden. Säkra den ena änden i D-ringen bak på brädan och spänn fast kardborrebandet runt fotleden eller vaden.
- Bär alltid kläder anpassade efter vädret och klimatet när du paddlar. Det är rekommenderat att bära flytväst eller liknande, och våtdräkt i kallare förhållanden.
- Se till att du får i dig tillräckligt med vätska genom att alltid ha med dig en vattenflaska. Du kan enkelt fästa en väska eller kylväska under förvaringsnätet.
- Förvara mobiltelefonen i den medföljande mobilväskan. Det kan även vara bra att packa ner en visselpipa eller ficklampa om något oväntat skulle inträffa.
- Brädan kan expandera och överfyllas med luft i varma temperaturer. Kontrollera lufttrycket och töm ut lite luft vid behov.
- Packa och förvara SUP-brädan i den medföljande ryggsäcken på en sval och torr plats skyddad från direkt solljus. Rengör och ta hand om brädan efter varje användning. Skölj av den med slang vid behov för att undvika mögelbildning vid längre förvaring. Använd inga starka kemikalier vid rengöringen. Du kan få bort nästan all smuts med en mild två och vatten.
- Ett reparations-kit medföljer, med reparationslappar och ett ventilverktyg. Då och då kan ventilen behöva dras åt för att förhindra luftläckage. När du ska dra åt ventilen måste du först se till att brädan är helt tömd på luft. För in verktyget i ventilen och tryck upp det från brädans undersida för att säkerställa att ventilen har ordentlig kontakt med gängan. Vrid därefter verktyget medurs tills ventilen är helt åtdragen.
- Se till att inget vatten tränger in i SUP-brädan, eftersom det kan ge stora skador på brädan. Om det hamnar vatten i ventilen behöver du lossa den med hjälp av det medföljande verktyget. Töm ut allt vatten och låt torka ordentligt innan du sätter tillbaka ventilen och fyller på luft.

FELSÖKNING

Fel	Kontrollera	Lösning
Pumpen fungerar inte.	Se efter om slangen är igentäppt eller skadad.	Avlägsna eventuella hinder från slangen, eller byt ut den om den är skadad.
	Anslutningen mellan slangen/luftpumpen/luftventilen på brädan är inte tät.	Pausa uppblåsningen, kontrollera att anslutningen är tät och byt ut vid behov.
	PSI-mätaren fungerar inte.	PSI-värdet registreras vanligtvis inte förrän det når upp till 7. Kontakta oss om problemet kvarstår. Du kan hitta ytterligare information på www.bluefinsupboards.com/info-zone/maintenancerepair/
Min bräda har ett hål/en läcka.	När brädan är uppblåst, håll lite diskmedel på en blöt trasa och gnid in ventilen med lösningen.	Om det börjar bubbla behöver ventilen troligtvis dras åt med hjälp av det medföljande verktyget. Töm brädan på luft, ta tag i muttern under brädan, för in ventilverktyget och vrid det medurs tills ventilen är helt åtdragen.
	När brädan är uppblåst, håll lite diskmedel på en blöt trasa och gnid in deck och sidor med lösningen.	Om det börjar bubbla vid sömmar och deckpad kan du enkelt laga hålet med de medföljande lapparna och ett starkt vattenfast lim. Applicera limmet både på det trasiga området och lappens undersida. Låt limmet torka något innan du sätter fast lappen. TIPS: Du kan värma området med en hårtork för att snabba på torkningsprocessen.
		Kontakta oss om problemet kvarstår. Du kan hitta ytterligare information på www.bluefinsupboards.com/info-zone/maintenance-repair/

FELSÖKNING

Fel	Kontrollera	Lösning
En eller flera av mina D-ringar sitter löst eller har lossnat.	Se om det går att limma fast D-ringen, eller om du behöver en ny.	Använd ett starkt, vattenfast lim för att sätta tillbaka D-ringen, köp en ny D-ring hos en återförsäljare eller kontakta oss angående en ny D-ring. Om problemet kvarstår, kontakta oss via sup-support@bluefintrading.co.uk Du kan hitta ytterligare information på www.bluefinsupboards.com/info-zone/maintenancerepair/
Det är en buckla i min bräda.	Det syns en tydlig buckla på brädans undersida, under ventilen.	Ingen fara. Den här bucklan finns naturligt på alla SUP-brädor. Ibland täcks den av en fena eller annan detalj, men den är synlig på vissa modeller. Det beror på att området där ventilen sitter saknar dropstitch. Det påverkar inte SUP-brädans prestanda eller kvalitet.
Min SUP får inte plats i ryggsäcken.	Ryggsäcken har väldigt tight passform och det kan kännas som om brädan inte ska få plats.	Vik upp SUP-brädan och se till att all luft pressas ur. Du kan krypa på knä på brädan, eller sitta på den för att försöka få ut så mycket luft som möjligt. Rulla ihop brädan i sektioner om cirka 30 cm och för in den i ryggsäcken. På vissa större modeller kan sidorna behöva vikas in innan du rullar ihop brädan. Om problemet kvarstår, kontakta oss via sup-support@bluefintrading.co.uk Du kan hitta ytterligare information på www.bluefinsupboards.com/info-zone/maintenance-repair/

FELSÖKNING

Fel	Kontrollera	Lösning
Fenan går inte i fenboxen.	Fenboxen har blivit böjd.	Värm upp plasten på fenboxen med en hårtork, sedan ska du kunna skjuta in fenan. Lämna fenan i fenboxen i några timmar så att den återfår sin rätta form. Om problemet kvarstår, kontakta oss via sup-support@bluefintrading.co.uk Du kan hitta ytterligare information på www.bluefinsupboards.com/info-zone/maintenancerepair/
"Jag tappar hela tiden fenan. Varför är den så tung?"	Se efter om fenboxen är skadad och dubbelkolla hur fenan ska fästas.	Den tunga fenan gör brädan enklare att hantera och manövrera, särskilt i tuffare förhållanden. Se till att fenan sitter ordentligt på plats för att undvika att den lossnar eller skadas. Om du behöver beställa en ny fena, gå till www.bluefinsupboards.com
Det har trängt in vatten eller fukt i min SUP.	Detta måste åtgärdas omgående.	Lossa ventilen från brädan med hjälp av det medföljande ventilverktyget. Pumpa luft genom det öppna hålet konstant i 20 minuter. Lägg därefter brädan plant på en sval, torr plats med god ventilation i minst 24 timmar. Om problemet kvarstår, kontakta oss via sup-support@bluefintrading.co.uk Du kan hitta ytterligare information på www.bluefinsupboards.com/info-zone/maintenance-repair/





BLUEFIN



