



# NGALA

TRADING

## ZEBRA HIDE SETTEE

Genuine Burchell's zebra hide creates a settee sure to make a statement. Sustainably sourced from Southern Africa, the hair-on-hide makes this chair naturally luxurious. Each settee requires four full hides to upholster making every sofa one-of-a-kind. Due to the use of natural materials, each piece is unique and will vary slightly from image shown.

Upon purchase, images of available settees will be sent for selection.

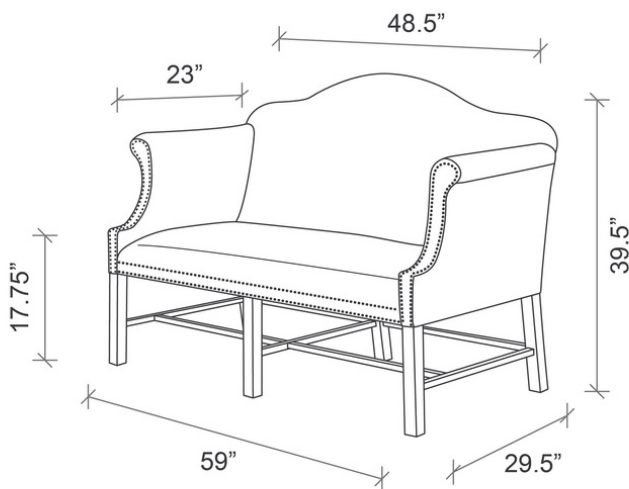
### MATERIALS AND CONSTRUCTION

Zebra hide  
Industrial pine (satin black finish)  
High density foam  
Antique brass nail heads

*\*\* Due to the use of natural materials, each piece is unique and will vary slightly from image shown \*\**

### DIMENSIONS

59" W x 29.5" D x 39.5" H  
Seat Width: 48.5"  
Seat Depth: 23"  
Seat Height: 17.75"



### SHIPPING AND DELIVERY

- Durably wrapped and crated
- Stock supported and available for immediate delivery
- Back-order / Special-order items available for domestic shipping 12-14 weeks from receipt of deposit
- Ships on a pallet via motor freight

