



NGALA
TRADING

ZEBRA HIDE RECTANGLE OTTOMAN

Decorative and functional, this ottoman is constructed with sustainably sourced Burchell's Zebra hide and is complemented with a double border of nail heads. Due to the use of natural materials, each piece is unique and will vary from image shown.

Upon purchase, images of available ottomans will be sent for selection.

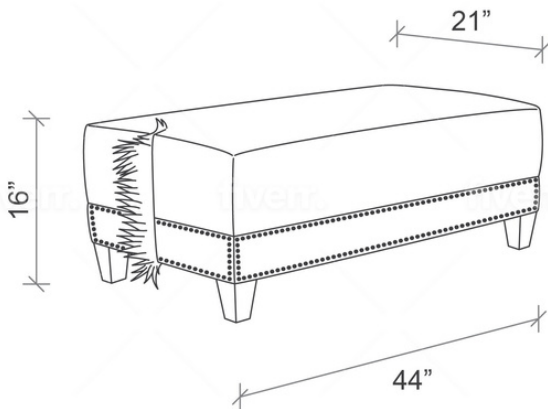
MATERIALS AND CONSTRUCTION

Zebra hide
Industrial pine
High density foam
Antique brass nail heads

*** Due to the use of natural materials, each piece is unique and will vary slightly from image shown ***

DIMENSIONS

44" W x 21" D x 16" H



SHIPPING AND DELIVERY

- Stock supported and available for immediate delivery
- Back-order / Special-order items available for domestic shipping 12-14 weeks from receipt of deposit
- Ships on a pallet via FedEx Ground

NGALATRADING.COM

