



NGALA
TRADING

WOVEN COUNTER STOOL

The Woven Counter Stool strikes the perfect balance between comfort and aesthetics. Its frame is expertly powder-coated, providing a sleek finish that complements any outdoor space. It is available in either stainless steel for coastal environments, ensuring resilience against the corrosive effects of salt-laden air or mild steel for inland settings. Resembling traditional wicker furniture, fibrecane is locally sourced from South Africa and is not only 100% recyclable but also weatherproof, guaranteeing longevity in outdoor settings.

This handwoven stool by Douglas & Douglas is not just a piece of outdoor furniture; it's a testament to the fusion of craftsmanship and functionality, offering a stylish retreat for any alfresco dining experience.

MATERIALS AND CONSTRUCTION

Stainless steel OR Mild steel
Fibrecane weaving

DIMENSIONS

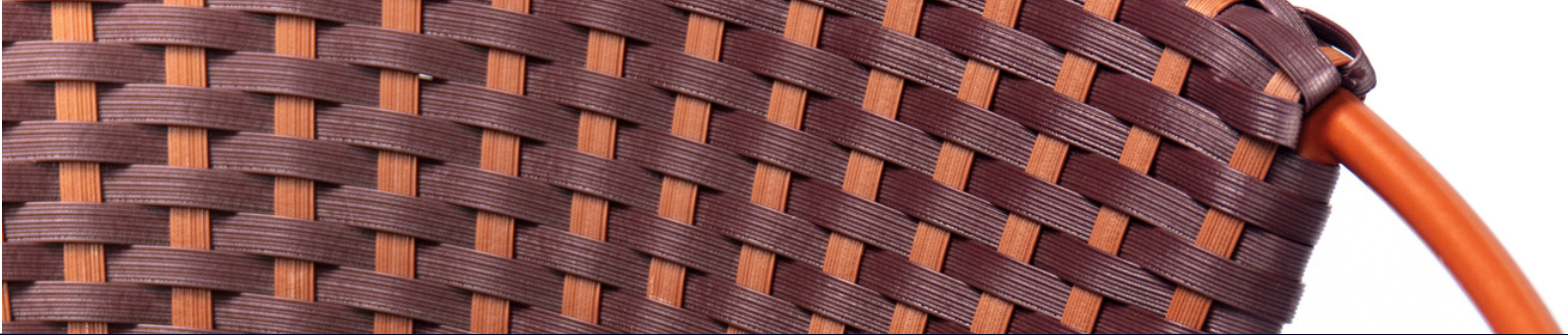
25.5" W x 39.25" H
Seat Height: 30"
Foot Rest Height: 10"

FIBRECANE SPECIFICATION

Composition: 100% Recycled Plastic

MANUFACTURER





COLOR OPTIONS



Amarula
Frame powder-coated in 'Amarula'



Ibiza
Frame powder-coated in 'Spice'



Bali
Frame powder-coated in 'Olive'



Coal
Frame powder-coated in 'Ebony'



Mbizi
Frame powder-coated in 'Ebony'



Santorini
Frame powder-coated in 'Olive'



Zanzibar
Frame powder-coated in 'Spice'



Chobe
Frame powder-coated in 'Ebony'



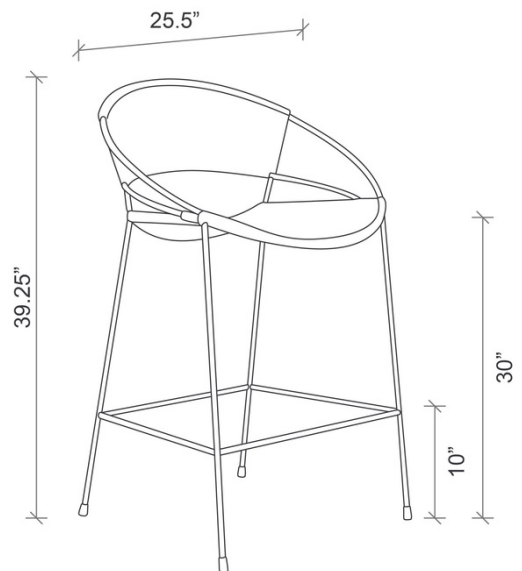
Marigold
Frame powder-coated in 'Amarula'



Sand
Frame powder-coated in 'Amarula'

SPECS

25.5" W X 39.25" H
SEAT HEIGHT: 30"



SHIPPING AND DELIVERY

- Back-order / Special-order items available for domestic shipping 12-14 weeks from receipt of deposit
- Ships via Motor freight

INSTALLATION AND CARE

- Suitable for outdoor use
- Stainless steel option recommended for coastal environments; mild steel option recommended for inland environments

WARRANTY

- Fibrecane: Two year warranty against fading, cracking and peeling.
- Stainless Steel Frame: Two year limited warranty against rusting, provided the frame has not been misused or abused.
- Douglas & Douglas and Ngala Trading reserve the right to inspect the product submitted for claim and will either repair or replace the frame