



**NGALA**  
TRADING

## WOVEN BAR STOOL

The Woven Bar Stool strikes the perfect balance between comfort and aesthetics. Its frame is expertly powder-coated, providing a sleek finish that complements any outdoor space. It is available in either stainless steel for coastal environments, ensuring resilience against the corrosive effects of salt-laden air or mild steel for inland settings. Resembling traditional wicker furniture, fibrecane is locally sourced from South Africa and is not only 100% recyclable but also weatherproof, guaranteeing longevity in outdoor settings.

This handwoven stool by Douglas & Douglas is not just a piece of outdoor furniture; it's a testament to the fusion of craftsmanship and functionality, offering a stylish retreat for any alfresco dining experience.

### MATERIALS AND CONSTRUCTION

Stainless steel OR Mild steel  
Fibrecane weaving

### DIMENSIONS

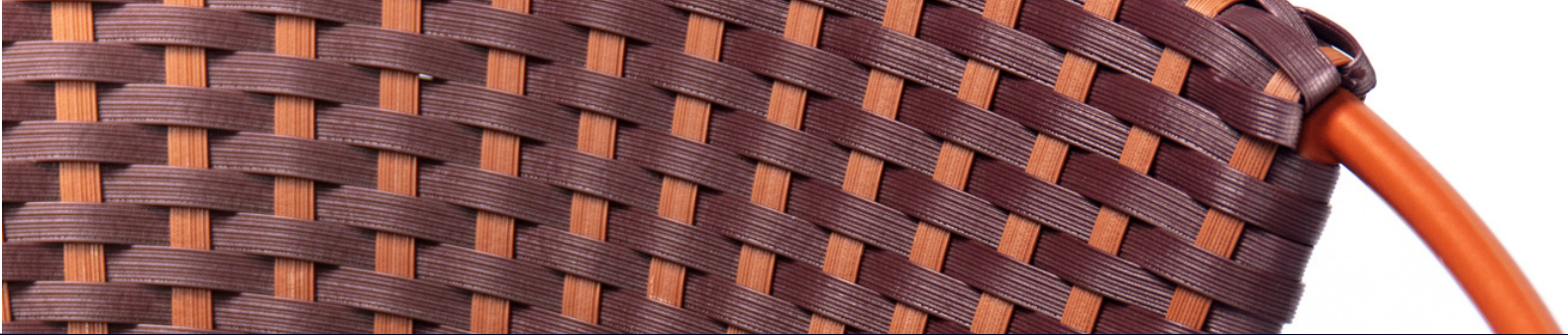
25.5" W x 45.25" H  
Seat Height: 31.5"  
Foot Rest Height: 12"

### FIBRECANE SPECIFICATION

Composition: 100% Recycled Plastic

### MANUFACTURER





## COLOR OPTIONS



**Amarula**  
Frame powder-coated in 'Amarula'



**Ibiza**  
Frame powder-coated in 'Spice'



**Bali**  
Frame powder-coated in 'Olive'



**Coal**  
Frame powder-coated in 'Ebony'



**Mbizi**  
Frame powder-coated in 'Ebony'



**Santorini**  
Frame powder-coated in 'Olive'



**Zanzibar**  
Frame powder-coated in 'Spice'



**Chobe**  
Frame powder-coated in 'Ebony'



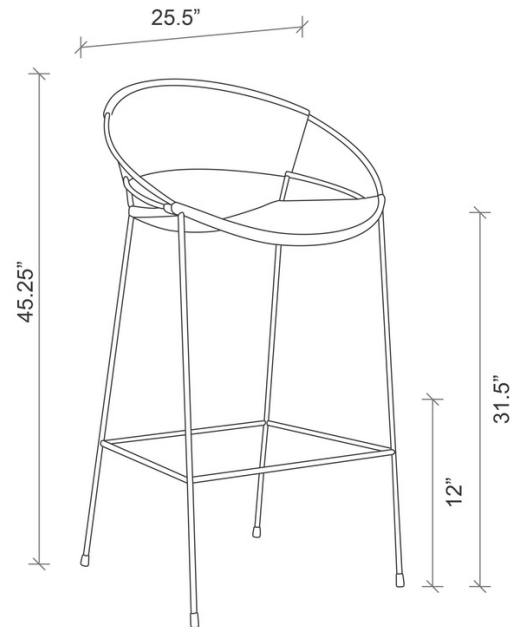
**Marigold**  
Frame powder-coated in 'Amarula'



**Sand**  
Frame powder-coated in 'Amarula'

## SPECS

25.5" W X 45.25" H  
SEAT HEIGHT: 31.5"



### SHIPPING AND DELIVERY

- Back-order / Special-order items available for domestic shipping 12-14 weeks from receipt of deposit
- Ships via Motor freight

### INSTALLATION AND CARE

- Suitable for outdoor use
- Stainless steel option recommended for coastal environments; mild steel option recommended for inland environments

### WARRANTY

- Fibrecane: Two year warranty against fading, cracking and peeling.
- Stainless Steel Frame: Two year limited warranty against rusting, provided the frame has not been misused or abused.
- Douglas & Douglas and Ngala Trading reserve the right to inspect the product submitted for claim and will either repair or replace the frame