



**NGALA**  
TRADING

## TATHU CROCHETED LEATHER CHANDELIER

Crochet is an ancient craft handed down from mother to daughter. Meaning three in Zulu, the Tathu Crocheted Leather Chandelier features three panels of hand-knitted leather.

All hard-wired lighting is UL-listed for dry locations. Not suitable for outdoor use. 6' of chain and cord supplied with each pendant.

### MATERIALS AND CONSTRUCTION

Crocheted tanned bovine leather  
Powder coated metal frame

### DIMENSIONS

36" Dia. x 27" H

### CEILING CANOPY

5.25" Dia. x 7" H  
Powder coated - antique gold (standard)  
Powder coated - brushed nickel, white or black (custom)

### CHAIN

3 x 6' L chain  
Powder coated - antique gold (standard)  
Powder coated - brushed nickel, white or black (custom)

### CORD COLOR

Clear

### WEIGHT

Approximately 36 LBS

### BULB SPECIFICATION (BULBS NOT INCLUDED)

Type: LED only  
Base: E12 (Candelabra)  
MAX Wattage per bulb: 7w LED  
Number of bulbs required: 7

[NGALATRADING.COM](http://NGALATRADING.COM)





## LEATHER OPTIONS

### STANDARD



Cream Stone

### PREMIUM LEATHER



Black



Anthracite Grey



Putty Grey

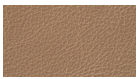


Crackle Stone



Arctic White

### METALLIC



Champagne



Rose Gold



Silver



Gold

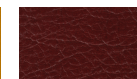
### NEKEIA



Nile River



Saharan Sunset



Oxblood

## FINISH OPTIONS

### STANDARD



Antique Gold

### CUSTOM



Bushed Nickel



White



Black

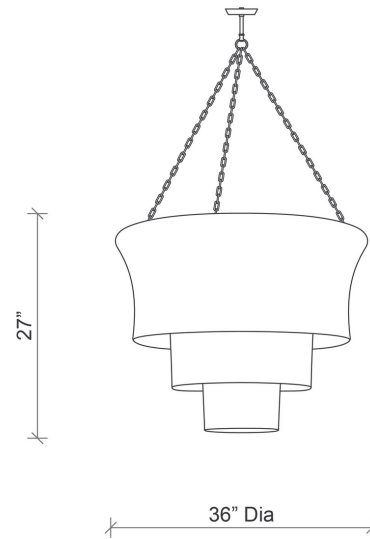
## SPECS

36" DIA. X 27" H

TOTAL HEIGHT: 106"

27" (Fixture) + 72" (Chain)\*\* + 7" (Ceiling canopy)

\*\*Chain can be shortened during installation\*\*



### SHIPPING AND DELIVERY

- Durably wrapped and crated
- Back-order / Special-order items available for domestic shipping 12-14 weeks from receipt of deposit
- Ships on a pallet via Motor freight

### INSTALLATION AND CARE

- Chandelier arrives ready to hang hardwired into standard 4" x 4" junction box in ceiling.
- Leather is a natural product and is therefore susceptible to fading if exposed to direct sunlight or moisture.
- Refer to installation instructions for full details.