



NGALA
TRADING

SMALL STARLING LEATHER CHANDELIER

The graceful shape of the Starling Chandelier mimics the form of an African Starling's wing. The small version of this design has been created as a semi-flush mount fixture.

All hard-wired lighting is UL-listed for dry locations. Not suitable for outdoor use.

MATERIALS AND CONSTRUCTION

Hand-cut tanned bovine leather strips
Powder coated steel

DIMENSIONS

30" Dia. x 20" H

CEILING CANOPY

4.7" Dia. x 1" H
Powder coated - black (standard)
Powder coated - brushed nickel, white or
antique gold (custom)

DOWNROD

1 x 5" fixed rod
Powder coated - black (standard)
Powder coated - brushed nickel, white or antique gold
(custom)

WEIGHT

Approximately 32 LBS

BULB SPECIFICATION (BULBS NOT INCLUDED)

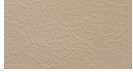
Type: LED only
Base: E12 (Candelabra)
MAX Wattage per bulb: 7w LED
Number of bulbs required: 7





LEATHER OPTIONS

STANDARD

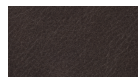


Cream Stone

PREMIUM LEATHER



Black



Anthracite Grey



Putty Grey

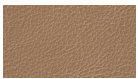


Crackle Stone



Arctic White

METALLIC



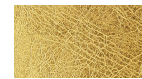
Champagne



Rose Gold



Silver



Gold

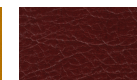
NEKEIA



Nile River



Saharan Sunset



Oxblood

FINISH OPTIONS

STANDARD



Black

CUSTOM



Bushed Nickel



White



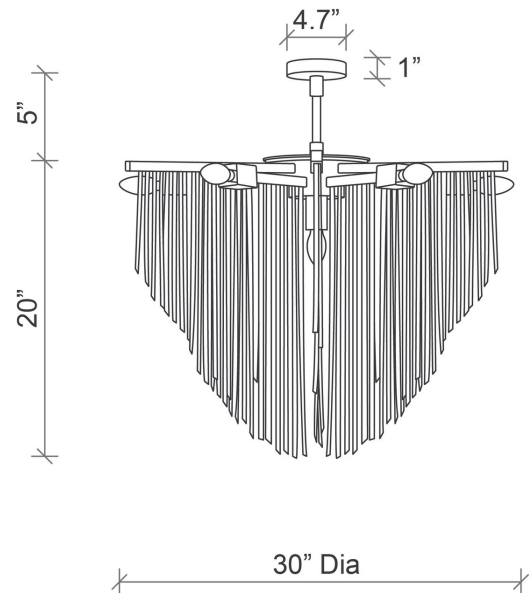
Antique Gold

SPECS

30" DIA. X 20" H

TOTAL HEIGHT: 26"

20" (Fixture) + 5" (Rod) + 1" (Ceiling canopy)



SHIPPING AND DELIVERY

- Durably wrapped and crated
- Black leather with black powder coat finish stocked and available for immediate delivery
- Back-order / Special-order items available for domestic shipping 12-14 weeks from receipt of deposit
- Ships on a pallet via Motor freight

INSTALLATION AND CARE

- Chandelier arrives ready to hang hardwired into standard 4" x 4" junction box in ceiling.
- Leather fringe may need 15-20 minutes of styling to lay flat after transport; light steaming may also be required.
- Leather is a natural product and is therefore susceptible to fading if exposed to direct sunlight or moisture.
- Refer to installation instructions for full details.