



NGALA
TRADING

OVAL ROMANTIC LEATHER CHANDELIER

The Oval Romantic Chandelier features parabolic drops of hand stripped leather beneath a brass or aluminum ring, setting a contemporary tone in any residential or commercial space.

All hard-wired lighting is UL-listed for dry locations. Not suitable for outdoor use.
6' of chain and cord supplied with each chandelier.

MATERIALS AND CONSTRUCTION

Hand-cut tanned bovine leather strips
draped in parabolic swags
MDF
Brass or aluminum surround
Faceted glass beads not included - optional at surcharge

DIMENSIONS

55" L x 25.5" W x 31.5" H

CEILING CANOPY

2** x 5.25" Dia. x 7" H
Powder coated - black (standard)
Powder coated - brushed nickel, white or
antique gold (custom)
** Can be modified during installation to 1 ceiling
canopy **

CHAIN

4 x 6' L chain
Powder coated - black (standard)
Powder coated - brushed nickel, white or
antique gold (custom)

CORD COLOR

Black (standard)

WEIGHT

Approximately 55 LBS

BULB SPECIFICATION (BULBS NOT INCLUDED)

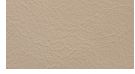
Type: LED only
Base: E26 (Standard Edison)
MAX Wattage per bulb: 7w LED
Number of bulbs required: 4





LEATHER OPTIONS

STANDARD



Cream Stone

PREMIUM LEATHER



Black



Anthracite Grey



Putty Grey

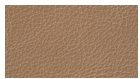


Crackle Stone



Arctic White

METALLIC



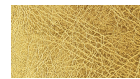
Champagne



Rose Gold



Silver



Gold

NEKEIA



Nile River



Saharan Sunset



Oxblood

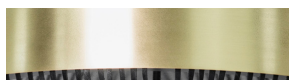
FINISH OPTIONS

STANDARD



Black

CUSTOM



Brass



Aluminum



Brushed Nickel



White



Antique Gold

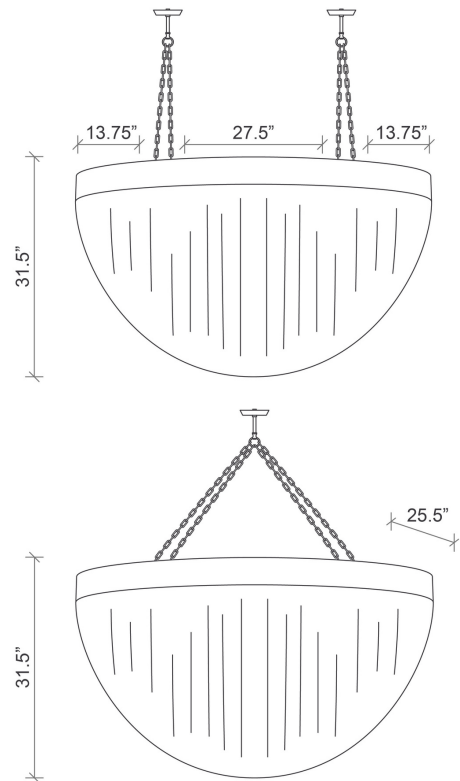
SPECS

28" DIA. X 35" H

TOTAL HEIGHT: 114"

35" (Fixture) + 72" (Chain)** + 7" (Ceiling canopy)

** Can be modified to 1 ceiling canopy and chain can be shortened during installation **



SHIPPING AND DELIVERY

- Durably wrapped and crated
- Back-order / Special-order items available for domestic shipping 12-14 weeks from receipt of deposit
- Ships on a pallet via Motor freight

INSTALLATION AND CARE

- Chandelier arrives ready to hang hardwired into standard 4" x 4" junction box in ceiling.
- Leather swags may need 15-20 minutes of styling to lay flat after transport; light steaming may also be required.
- Leather is a natural product and is therefore susceptible to fading if exposed to direct sunlight or moisture.
- Refer to installation instructions for full details.