



NGALA
TRADING

OSTRICH FLUFF LOUNGE CHAIR

This lounge chair is part of the Ostrich Fluff collection designed by Egg Designs and manufactured in Durban, South Africa. The lounge chair is constructed in two sections, these are connected via two steel brackets which are then fixed with solid brass pins. The velvet upholstered seat section is finished with a colored, delicate, genuine ostrich feather skirt trim.

Stock supported in Bronzed Steel finish, Porcelain fabric and Cream feathers.

MATERIALS AND CONSTRUCTION

Velvet fabric
Ostrich feather
Electroplated steel
High density foam

DIMENSIONS

36" W x 34.5" D x 33.5" H
Seat Width: 36"
Seat Depth: 25"
Seat Height: 18"

FABRIC SPECIFICATION

Velvet
Composition: 55% Viscose 45% Cotton
Martindale Rub: 100,000

COM / COL

Fabric: 4 yards
Leather: 56.5 square feet

MANUFACTURER

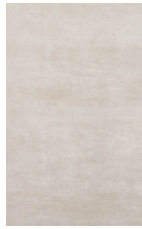


NGALATRADING.COM

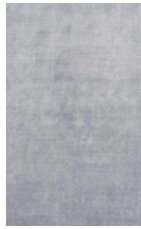




FABRIC COLORS



Porcelain

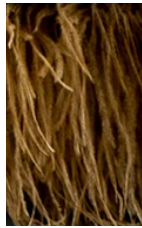


Silver

FEATHER COLORS



Cream



Gold

FINISH COLORS



Bronzed Steel



Aged Steel

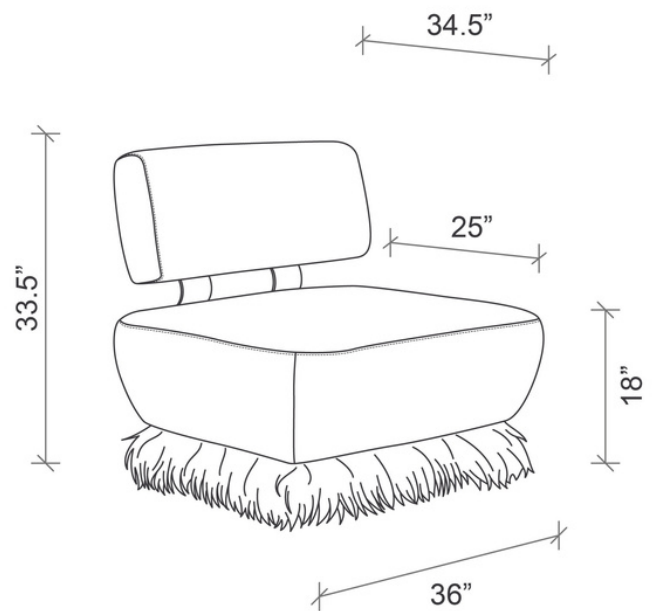
SPECS

36" W X 34.5" D X 33.5" H

SEAT WIDTH: 36"

SEAT DEPTH: 25"

SEAT HEIGHT: 18"



SHIPPING AND DELIVERY

- Porcelain fabric, Cream feather, Bronzed steel stock supported
- Back-order / Special-order items available for domestic shipping 12-14 weeks from receipt of deposit
- Ships via Motor freight

INSTALLATION AND CARE

- Remove velvet fabric creases with a light steam
- Velvet pile can be brushed using a soft cloth in the direction of the pile
- Feather skirt is robust; however, use caution when vacuuming