



NGALA
TRADING

MEDIUM OVAL URCHIN LEATHER CHANDELIER

Subtly resembling a jellyfish, the Urchin Chandelier is handcrafted with varying lengths of stripped leather, creating delicate layers of movement and texture. The leather is draped by hand to give it a more feminine, organic feel.

All hard-wired lighting is UL-listed for dry locations. Not suitable for outdoor use.
6' of chain and cord supplied with each pendant.

MATERIALS AND CONSTRUCTION

Hand-cut tanned bovine leather strips
MDF frame
Faceted glass beads

DIMENSIONS

51" L x 22" W x 43" H

CEILING CANOPY

2** x 5.25" Dia. x 7" H
Powder coated - antique gold (standard)
Powder coated - brushed nickel, white or black (custom)
*** Can be modified during installation to 1 ceiling canopy ***

CHAIN

4 x 6' L chain
Powder coated - antique gold (standard)
Powder coated - brushed nickel, white or black (custom)

CORD COLOR

Clear

WEIGHT

Approximately 62 LBS

BULB SPECIFICATION (BULBS INCLUDED)

Type: Dimmable LED - PAR 16 (700 LM 3000K)
Base: E26 (Standard Edison)
MAX Wattage per bulb: 7w LED
Number of bulbs required: 4

NGALATRADING.COM





LEATHER OPTIONS

STANDARD



Cream Stone

PREMIUM LEATHER



Black



Anthracite Grey



Putty Grey

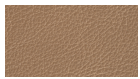


Crackle Stone



Arctic White

METALLIC



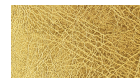
Champagne



Rose Gold



Silver



Gold

NEKEIA



Nile River



Saharan Sunset



Oxblood

FINISH OPTIONS

STANDARD



Antique Gold

CUSTOM



Bushed Nickel



White



Black

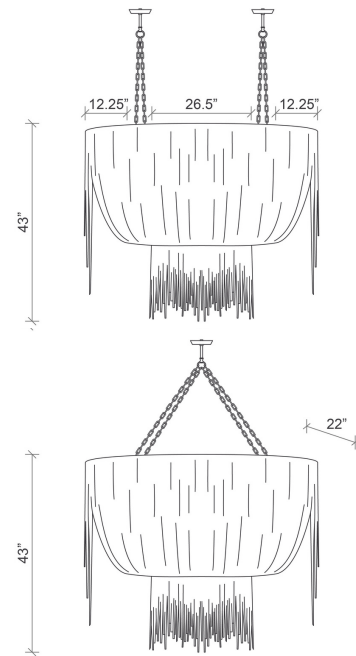
SPECS

51" L X 22" W X 43" H

TOTAL HEIGHT: 122"

43" (Fixture) + 72" (Chain)** + 7" (Ceiling canopy)

** Can be modified to 1 ceiling canopy and chain can be shortened during installation **



SHIPPING AND DELIVERY

- Durably wrapped and crated
- Cream-Stone leather stocked and available for immediate delivery
- Back-order / Special-order items available for domestic shipping 12-14 weeks from receipt of deposit
- Ships on a pallet via motor freight

INSTALLATION AND CARE

- Due to the weight of the chandelier, please consult an electrician regarding the support needed from the junction box
- Leather swags will need 15-20 minutes of styling to lay flat after transport; light steaming may also be required
- Leather is a natural product and is therefore susceptible to fading if exposed to direct sunlight or moisture
- Refer to installation instructions for full details