



NGALA
TRADING

MEDIUM FLUSH MOUNT WHISPER LEATHER CHANDELIER

Perhaps the most unexpected textile for a light fixture, the leather Whisper Chandelier is handcrafted with swags of leather layered in graceful arcs for a stunning-yet-natural look. The ambient light from within the fixture provides a soft glow.

All hard-wired lighting is UL-listed for dry locations. Not suitable for outdoor use.

MATERIALS AND CONSTRUCTION

Hand-cut tanned bovine leather strips
draped in swags
Powder coated metal frame

DIMENSIONS

28" Dia. x 24" H (including flush mount hardware)

FLUSH MOUNT HARDWARE

11" Dia. x 2" H
Powder coated - antique gold (standard)
Powder coated - brushed nickel, white or black
(custom)

WEIGHT

Approximately 25 LBS

BULB SPECIFICATION (BULBS NOT INCLUDED)

Type: LED only
Base: E12 (Candelabra)
MAX Wattage per bulb: 7w LED
Number of bulbs required: 5

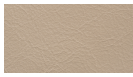
NGALATRADING.COM





LEATHER OPTIONS

STANDARD



Cream Stone

PREMIUM LEATHER



Black



Anthracite Grey



Putty Grey

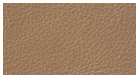


Crackle Stone



Arctic White

METALLIC



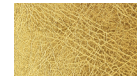
Champagne



Rose Gold



Silver



Gold

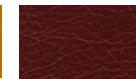
NEKEIA



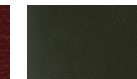
Nile River



Saharan Sunset



Oxblood



Baobab Tree

FINISH OPTIONS

STANDARD



Antique Gold

CUSTOM



Bushed Nickel



White



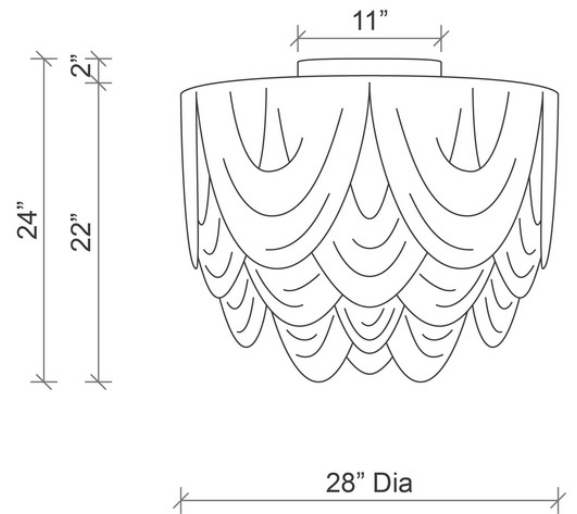
Black

SPECS

28" DIA. X 22" H

TOTAL HEIGHT: 24"

22" (Fixture) + 2" (Flush Mount Hardware)



SHIPPING AND DELIVERY

- Durably wrapped and crated
- Cream-Stone stocked and available for immediate delivery
- Back-order / Special-order items available for domestic shipping 12-14 weeks from receipt of deposit
- Ships on a pallet via motor freight

INSTALLATION AND CARE

- Chandelier arrives ready to hang hardwired into standard 4" x 4" junction box in ceiling
- Leather swags will need 15-20 minutes of styling to lay flat after transport; light steaming may also be required
- Leather is a natural product and is therefore susceptible to fading if exposed to direct sunlight or moisture
- Refer to installation instructions for full details.