



**NGALA**  
TRADING

## MAMBA MIRROR

Carefully crafted in South Africa, the Mamba Mirror is created with genuine, locally-sourced black tanned leather. A traditional press is used to create the mirror's unique leather scales to add a modern yet classic look to any room.

### MATERIALS AND CONSTRUCTION

Hand embossed leather  
Polished stainless steel or brass  
Mirror

### DIMENSIONS

48" Dia.

### REFLECTION AREA

28" Dia.

### WEIGHT

Approximately 50 LBS

### MANUFACTURER





## LEATHER COLORS



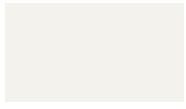
Black



Bone



Grey



Pearl



Gold



Silver



Leaf



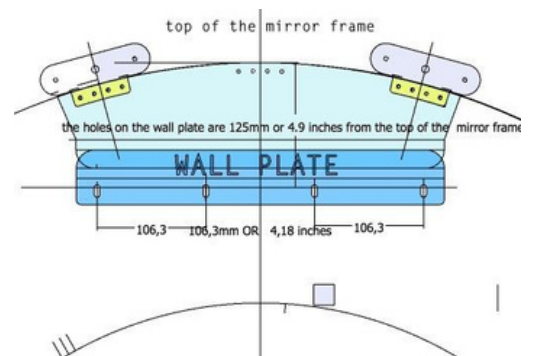
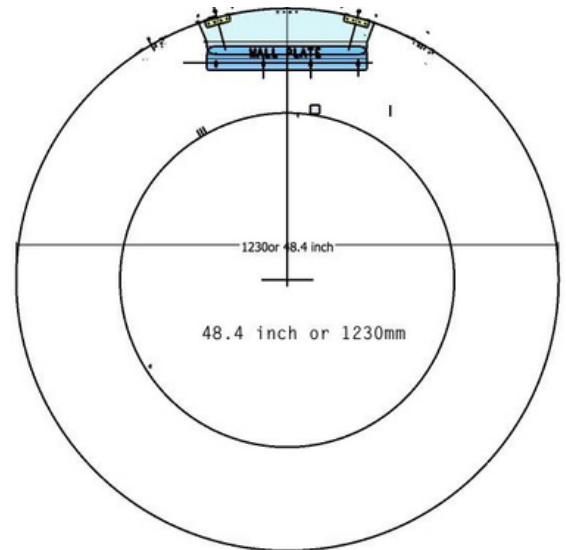
Teal

Clarisse Design uses only full-grain, vegetable tanned leathers in the production of their handcrafted designs. This specific type of leather has been chosen for its physical attributes of thickness, durability and the ability to be shaped.

A full-grain piece of leather has the entire grain visible on one side. Except for the removal of the hair, the surface remains untouched. Natural imperfections like scars, blemishes, insect bites, branding and stretch marks may be present in this leather. These natural imperfections should not be regarded as defects and are a feature of this first-quality leather.

## SPECS

48" DIA



### SHIPPING AND DELIVERY

- Durably wrapped and boxed
- Back-order / Special-order items available for domestic shipping 12-14 weeks from receipt of deposit
- Ships via motor freight

### INSTALLATION AND CARE

- Mirror includes cleat style hanging mechanism
- Leather is a natural product and is therefore susceptible to fading if exposed to direct sunlight or moisture.
- Refer to installation instructions for full details.