



NGALA
TRADING

LARGE NEKEIA LEATHER CHANDELIER

The NeKeia for Ngala Trading artisan leather lighting collection is designed by interior designer Keia McSwain and manufactured entirely by hand in Johannesburg, South Africa. The NeKeia Chandelier features three tiered layers of hand-cut strips of leather that form a waterfall-like effect from the solid brass or nickel surround.

All hard-wired lighting is UL-listed for dry locations. Not suitable for outdoor use.
16" of rod and cord supplied with each pendant.

MATERIALS AND CONSTRUCTION

Hand-cut leather fringe
Powder coated metal frame
Brass or nickel surround

DIMENSIONS

34" Dia. x 31.5" H

CEILING CANOPY

5" Dia. X 3" H
Brass or nickel

ROD

2 x 8" rod
Brass or nickel
Additional rod available in 4", 8" & 12" lengths

WEIGHT

Approximately 55 LBS

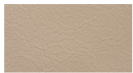
BULB SPECIFICATION (BULBS NOT INCLUDED)

Type: LED only
Base: E26 (Standard Edison)
MAX Wattage per bulb: 7w LED
Number of bulbs required: 7



LEATHER OPTIONS

STANDARD



Cream Stone

PREMIUM LEATHER



Black



Anthracite Grey



Putty Grey

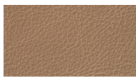


Crackle Stone



Arctic White

METALLIC



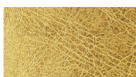
Champagne



Rose Gold



Silver



Gold

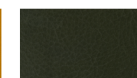
NEKEIA



Nile River



Saharan Sunset



Baobab Tree



Oxblood

FINISH OPTIONS



Brass



Nickel

SPECS

34" DIA. X 31.5" H

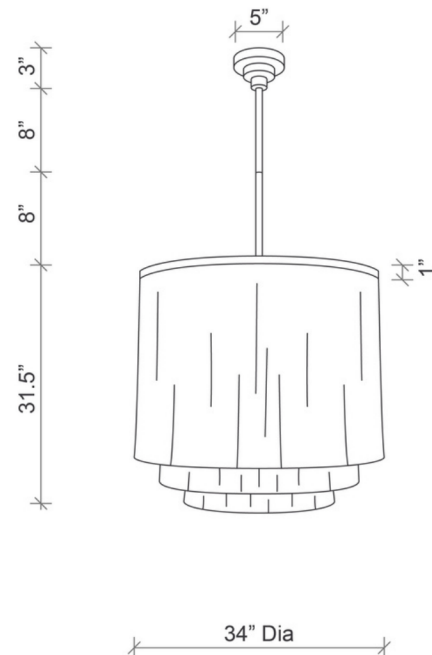
TOTAL HEIGHT: 50.5"

31.5" (FIXTURE) +

16" (ROD)** +

3" (CEILING CANOPY)

**ADDITIONAL RODS CAN BE PURCHASED IN 4", 8" & 12" **



SHIPPING AND DELIVERY

- Durably wrapped and crated
- Back-order / Special-order items available for domestic shipping 12-14 weeks from receipt of deposit
- Ships on a pallet via Motor freight

INSTALLATION AND CARE

- Chandelier arrives ready to hang hardwired into standard 4" x 4" junction box in ceiling.
- Leather fringe may need 15-20 minutes of styling to lay flat after transport; light steaming may also be required.
- Leather is a natural product and is therefore susceptible to fading if exposed to direct sunlight or moisture.
- Refer to installation instructions for full details.