



NGALA
TRADING

KUBILI CROCHETED LEATHER CHANDELIER

Crochet is an ancient craft handed down from mother to daughter. Meaning two in Zulu, the Kubili Crocheted Leather Chandelier showcases two layers of hand-knitted leather.

All hard-wired lighting is UL-listed for dry locations. Not suitable for outdoor use. 6' of chain and cord supplied with each pendant.

MATERIALS AND CONSTRUCTION

Crocheted tanned bovine leather
Powder coated metal frame

DIMENSIONS

27" Dia. x 21" H

CEILING CANOPY

5.25" Dia. x 7" H
Powder coated - antique gold (standard)
Powder coated - brushed nickel, white or black (custom)

CHAIN

3 x 6' L chain
Powder coated - antique gold (standard)
Powder coated - brushed nickel, white or black (custom)

CORD COLOR

Clear

WEIGHT

Approximately 28 LBS

BULB SPECIFICATION (BULBS NOT INCLUDED)

Type: LED only
Base: E12 (Candelabra)
MAX Wattage per bulb: 7w LED
Number of bulbs required: 5

NGALATRADING.COM





LEATHER OPTIONS

STANDARD



Cream Stone

PREMIUM LEATHER



Black



Anthracite Grey



Putty Grey

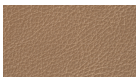


Crackle Stone



Arctic White

METALLIC



Champagne



Rose Gold



Silver



Gold

NEKEIA



Nile River



Saharan Sunset



Oxblood

FINISH OPTIONS

STANDARD



Antique Gold

CUSTOM



Bushed Nickel



White



Black

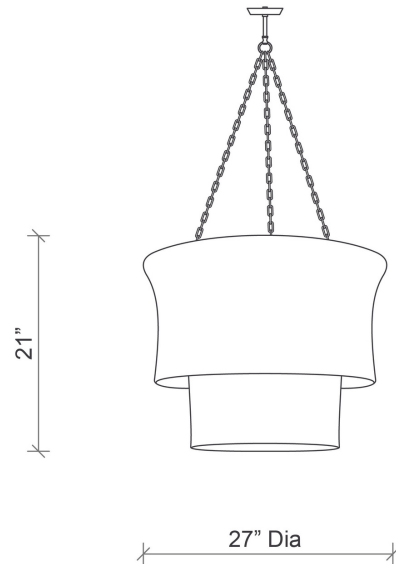
SPECS

27" DIA. X 21" H

TOTAL HEIGHT: 100"

21" (Fixture) + 72" (Chain)** + 7" (Ceiling canopy)

Chain can be shortened during installation



SHIPPING AND DELIVERY

- Durably wrapped and crated
- Back-order / Special-order items available for domestic shipping 12-14 weeks from receipt of deposit
- Ships on a pallet via Motor freight

INSTALLATION AND CARE

- Chandelier arrives ready to hang hardwired into standard 4" x 4" junction box in ceiling.
- Leather is a natural product and is therefore susceptible to fading if exposed to direct sunlight or moisture.
- Refer to installation instructions for full details.