



NGALA
TRADING

INGULULE ROUND MIRROR

Translated from Zulu, an exotic hair-on-hide cheetah print enhanced with rows of antique brass nail heads create this mirror's eye-catching frame.

Due to the use of natural materials, each piece is unique and will vary from image shown.

MATERIALS AND CONSTRUCTION

Printed hair-on-hide
Injection moulded polystyrene
Antique brass nail heads

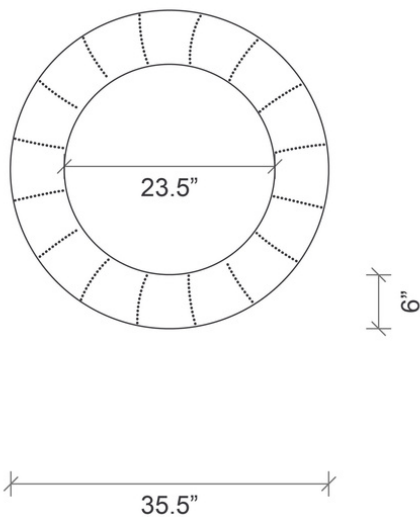
*** Due to the use of natural materials, each piece is unique and will vary slightly from image shown ***

DIMENSIONS

35.5" Dia.

REFLECTION AREA

23.5" Dia.



SHIPPING AND DELIVERY

- Stock supported and available for immediate delivery
- Back-order / Special-order items available for domestic shipping 12-14 weeks from receipt of deposit
- Ships via FedEx Ground