



NGALA
TRADING

ANANAS SINGLE SEAT OUTDOOR CHAIR

Appropriately named after the pineapple (*ananas = pineapple*), this outdoor seating is just as beautiful indoors as it is outdoors. Manufactured from stainless steel featuring an intricate laser cut pattern on the seat and back frame, the Ananas chair includes one seat cushion and two back pillows. It is available in six powdercoat finishes protected by a two-year limited warranty.

MATERIALS AND CONSTRUCTION

Stainless steel
UV Protectant powder coat
High density foam
Outdoor performance fabric
Polyester fill

DIMENSIONS

29.5" W x 30" D x 29" H
Overall Seat Height: 18"
Seat Height: 12"
Cushion Thickness: 6"
Seat Width: 27.75"
Seat Depth: 28"
Seat Back Square Pillow: 24" x 24"
Seat Back Rectangle Pillow: 24" x 16"

SEAT CUSHION FABRIC SPECIFICATION

Outdoor Performance
Composition: 100% Polyester
Martindale: 12,000
Wyzenbeek: 35,000
CAL 117 Compliant
Oeko-Tex 100 Certified
Additional Features: *Breathable / Color fast to light /
Mould Resistant / Oil and Water Repellent / Soil
Repellent*

COM / COL

Fabric: 3 yards

MANUFACTURER



NGALATRADING.COM



FABRIC COLORS



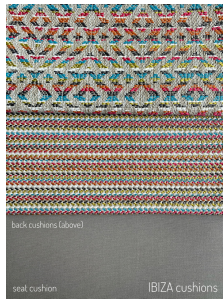
Zanzibar



Santorini



Bali



Ibiza

FINISH COLORS



Spice



Amarula



Admiral



Ebony



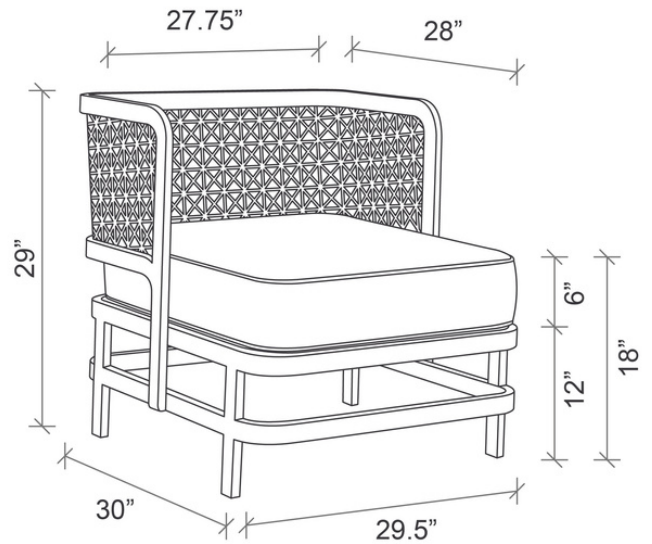
Olive



Pinotage

SPECS

29.5" L X 30" D X 29" H
SEAT HEIGHT: 18"



SHIPPING AND DELIVERY

- Back-order / Special-order items available for domestic shipping 12-14 weeks from receipt of deposit
- Ships via Motor freight

INSTALLATION AND CARE

- Intended for indoor and/or outdoor use
- Covering suggested when not in use in outdoor application

WARRANTY

- Two year warranty against color fading on the powder coating of the metal frames
- Two year limited warranty on the stainless steel frame against rusting, provided the frame has not been misused or abused.
- Douglas & Douglas and Ngala Trading reserve the right to inspect the frame submitted for claim and will either repair or replace the frame