



NGALA
TRADING

ANANAS OUTDOOR OTTOMAN

MATERIALS AND CONSTRUCTION

Stainless steel
UV Protectant powder coat
High density foam
Outdoor performance fabric

DIMENSIONS

29.5" W x 30" D x 18" H
Seat Height: 12"
Cushion Thickness: 6"

SEAT CUSHION FABRIC SPECIFICATION

Outdoor Performance
Composition: 100% Polyester
Martindale: 12,000
Wyzenbeek: 35,000
CAL 117 Compliant
Oeko-Tex 100 Certified
Additional Features: *Breathable / Color fast to light /
Mould Resistant / Oil and Water Repellent / Soil
Repellent*

COM / COL

Fabric: 3 yards

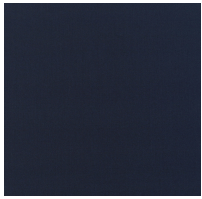
MANUFACTURER



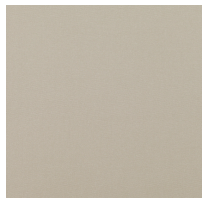
NGALATRADING.COM



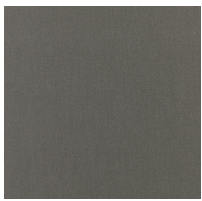
CUSHION FABRIC COLORS



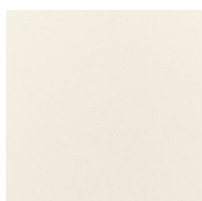
Marine



Stone



Graphite



White

FINISH COLORS



Spice



Amarula



Admiral



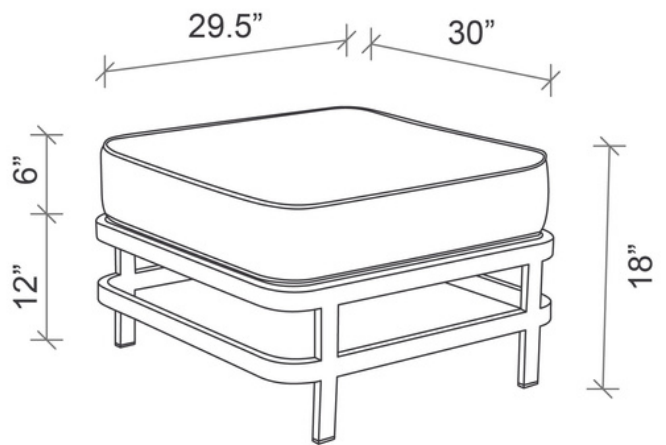
Ebony



Olive

SPECS

29.5" W X 30" D X 18" H



SHIPPING AND DELIVERY

- Back-order / Special-order items available for domestic shipping 12-14 weeks from receipt of deposit
- Ships via Motor freight

INSTALLATION AND CARE

- Intended for indoor and/or outdoor use
- Covering suggested when not in use in outdoor application

WARRANTY

- Two year warranty against color fading on the powder coating of the metal frames
- Two year limited warranty on the stainless steel frame against rusting, provided the frame has not been misused or abused.
- Douglas & Douglas and Ngala Trading reserve the right to inspect the frame submitted for claim and will either repair or replace the frame