



**NGALA**  
TRADING

## ANANAS 3-SEAT OUTDOOR SOFA

### MATERIALS AND CONSTRUCTION

Stainless steel  
UV Protectant powder coat  
High density foam  
Outdoor performance fabric

### DIMENSIONS

75" W x 30" D x 29" H  
Overall Seat Height: 18"  
Seat Height: 12"  
Cushion Thickness: 6"  
Seat Width: 73"  
Seat Depth: 28"

### SEAT CUSHION FABRIC SPECIFICATION

Outdoor Performance  
Composition: 100% Polyester  
Martindale: 12,000  
Wyzenbeek: 35,000  
CAL 117 Compliant  
Oeko-Tex 100 Certified  
Additional Features: *Breathable / Color fast to light /  
Mould Resistant / Oil and Water Repellent / Soil  
Repellent*

### COM / COL

Fabric: 8.5 yards

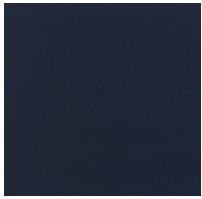
### MANUFACTURER



[NGALATRADING.COM](http://NGALATRADING.COM)



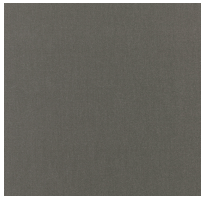
## SEAT CUSHION FABRIC COLORS



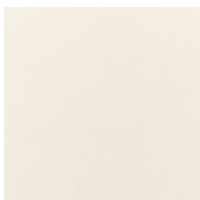
Marine



Stone



Graphite



White

## FINISH COLORS



Spice



Amarula



Admiral



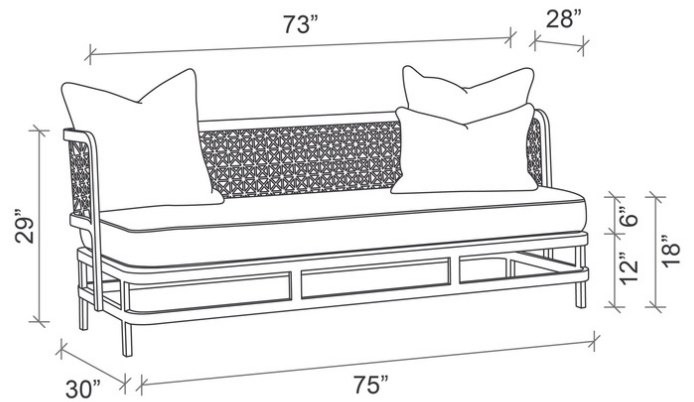
Ebony



Olive

## SPECS

75" L X 30" D X 29" H  
SEAT HEIGHT: 18"



### SHIPPING AND DELIVERY

- Back-order / Special-order items available for domestic shipping 12-14 weeks from receipt of deposit
- Ships via Motor freight

### INSTALLATION AND CARE

- Intended for indoor and/or outdoor use
- Covering suggested when not in use in outdoor application

### WARRANTY

- Two year warranty against color fading on the powder coating of the metal frames
- Two year limited warranty on the stainless steel frame against rusting, provided the frame has not been misused or abused.
- Douglas & Douglas and Ngala Trading reserve the right to inspect the frame submitted for claim and will either repair or replace the frame