



Product: 24 Inch Microwave Drawer in Stainless Steel

Model Number: TMD2401

UPC #: 850018999670

TECHNICAL DETAILS

Configuration	M/O Drawer
Color	Stainless Steel
Capacity	1.2 cu. ft.
Wattage (Watts)	950W CUL
Light, Number, and Type	Incandescent
Cavity	Painted
Microwave Drawer Open	Auto Open Button/Hand Assist
Timer/Clock	Yes
Start/Add-A-Minute	Yes
Steup/Help	Yes
Control Lock	Yes
Audible Signal Elimination	Yes
Open	Yes
Close	Yes



CONTROL PANEL DETAILS

Location	Center/Top
Controls	Membrane
Display Type	LCD
Display Style	Segment (7)/Dot Matrix
Color (Front/Background)	White on Black

FEATURES & BENEFITS

- + Drawer Design** - The 24-inch Microwave Drawer is flexible to your kitchen design and can be placed below an island, peninsula, or standard cabinetry or can also be installed adjacent to your wall oven.
- + 12 Unique Sensor Functions** - 12 unique easy-to-use food prep functions include everyday functions like defrost and a beverage center as well as luxury features such as two popcorn settings, melting chocolate, and softening ice cream. Use the "add a minute" feature to top off the perfect cook.
- + Multiple Power Modes** - Offers 10 power modes for precision heating, from a delicate power mode for melting chocolate to cranking up the power and using 950-watts for cooking and defrosting your favorite foods. The control is at your fingertips.
- + Auto Touch Open/Close Control** - Allows you to easily open and close the microwave drawer at the touch of a button. And if you have your hands full, like that microwave chef that you are, just tap it with your hip and the drawer will close automatically.
- Spacious Capacity** - 1.2 cu.ft. capacity can accommodate a variety of different container shapes and sizes.
- + Keep Warm Function** - Delivers brief pulses of microwave power to keep your cooked foods warm without overcooking until they're ready to be served.
- + Sleek Design** - Stainless steel flush to cabinet design features a white touch LCD display that's easy to operate and easy to clean.



ADDITIONAL FEATURES

Program Stages	4
Demo Mode	Yes
Distribution Method	Antenna - Top
Exhaust Louver	Concealed Bottom Louver
Installation	Standard Mount Only

WARRANTY: ONE YEAR PARTS AND LABOR





PRODUCT DIMENSIONS

Cavity Dimensions	17 5/16" W x 7 1/8" H x 16 9/16" D
Outside Dimensions	23 7/8" W x 15 7/8" H x 23 1/64" D

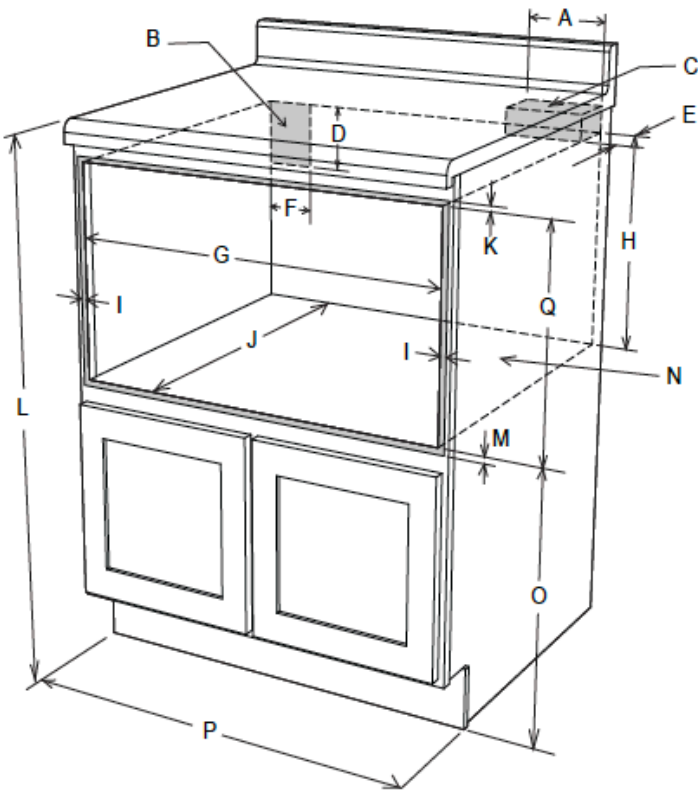


FIGURE 1

FIGURE 1 DIMENSIONS

A	6" (152.40 mm)
B	Suggested electrical outlet location*
C	Anti-Tip block
D	5" (127 mm)
E	3-1/2" (88.90 mm)
F	4" (101.60 mm)
G	22-1/8" (561.98 mm) opening
H	14-13/16" (376.24 mm) to bottom of Anti-Tip block
I	Allow 7/8" (22.23 mm) overlap
J	23-1/2" (596.90 mm) minimum depth
K	Allow 3/16" (4.76 mm) overlap
L	36" (914.4 mm) countertop height
M	Allow 1/8" (3.17 mm) overlap
N	Floor must support 100 lb (45.4 kg)
O	19" (482.60 mm) to top of floor
P	24" (609.6 mm) cabinet minimum
Q	15-9/16" (395.27 mm) opening

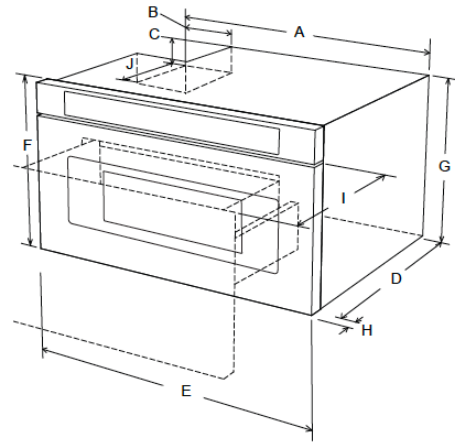


FIGURE 2

FIGURE 2 DIMENSIONS

A	21-5/8" (549.28 mm)
B	4-11/16" (119.06 mm)
C	1-3/4" (44.45 mm)
D	21-7/8" (555.60 mm)
E	23-7/8" (606.43 mm)
F	15-7/8" (403.22 mm)
G	14-19/32" (370.69 mm)
H	1-9/64" (29 mm) door thickness
I	15" (381 mm) auto drawer opening
J	4" (101.6 mm)