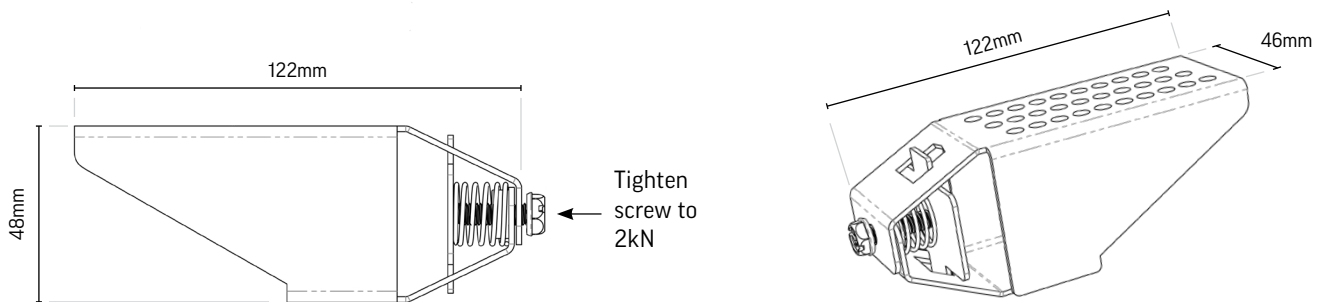
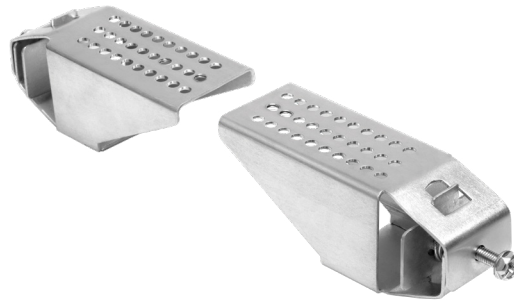


STUDBITE Trapeze Support System

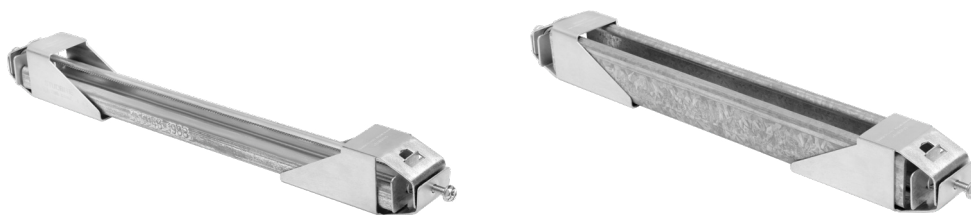


Trapeze Support Adaptor

For connecting M8 and M10 threaded rod to trapeze support or direct fixing tray up to 225mm.

Traditional Channel Build Options

Traditional slotted 41x41 and 41x21 channel can be used by inverting the adaptor.

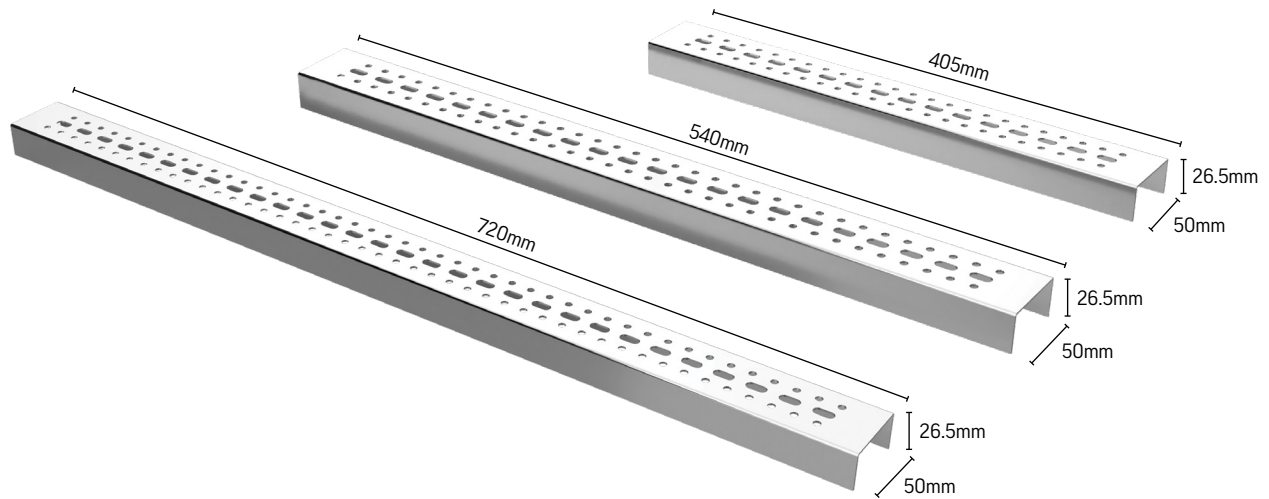


Channel-to-Stud Trapeze Support Adaptor

Code	SWL*
FCS-TSA	M8 = 40kg Per Bracket - 80kg Per Trapeze M10 = 60kg Per Bracket - 120kg Per Trapeze

*With screws tightened to 2kN 3:1 SF

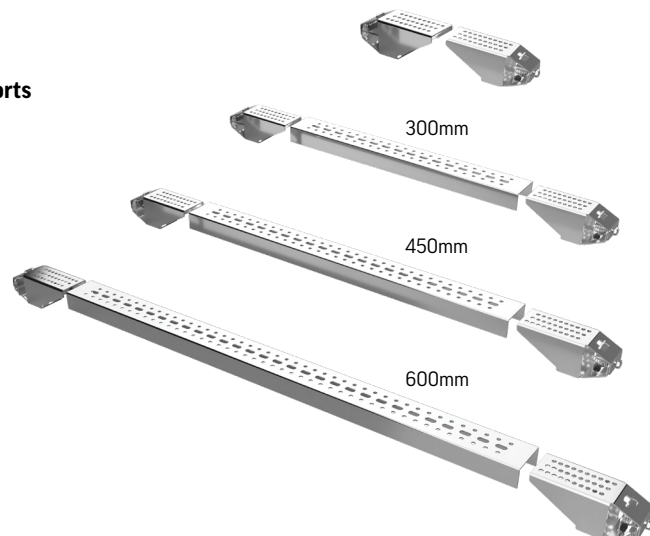
STUDBITE Trapeze Support System



For spans less than 225mm, fit the tray or basket **directly onto the adaptors.**

For spans more than 225mm, **Install-Ready Trapeze Supports are available in 3 sizes**

Use Studbite FCS-B610 Screws to Fix Trapeze Supports to Channel-to-Stud Adaptors and to fix Cable Tray to channel support. Wire Basket clamps are available for Basket Tray.



Install-Ready Trapeze Support

Code	Tray Width	Chanel Support Width	Stud Centre	Weight	SWL*
FCS-TS300	300mm	405mm	420mm	4.64kg	M8 = 80kg, M10 = 120kg
FCS-TS450	450mm	540mm	555mm	6.05kg	M8 = 80kg, M10 = 120kg
FCS-TS600	600mm	720mm	735mm	8.70kg	M8 = 80kg, M10 = 120kg