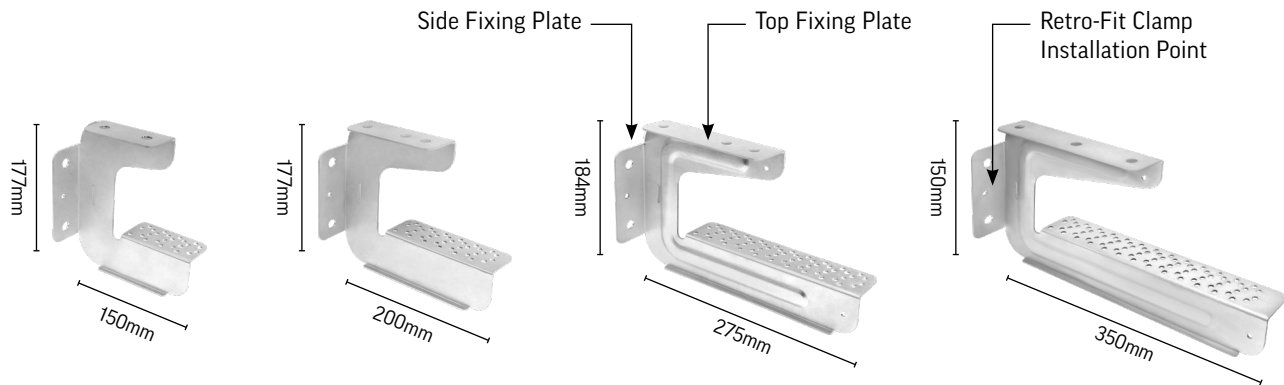


### STUDBITE Multi-Fix Bracket



**This bracket gives contractors multiple fixing options on the side and top fixing plate and the ability to cantilever off existing trays utilizing the Retro Fit Clamp for 100, 150, 225 and 300mm trays.**

- Multiple fixing options; top, side and retro-fit using FCS-MSH-C Clamp.
- Unique retrofit feature – hanger can fix straight to side of M8/M10 existing stud
- Easily adjustable up and down stud
- Use STUDBITE Screws to fix cable tray directly to the hanger
- The Wire Basket Clamp is used to fix basket tray to the hanger using the STUDBITE Screws



#### Retro-Fit Clamp

- ✓ Fixes hanger onto the side of M8/M10 stud
- Zinc Plated – Pack of 10 – **Code: FCS-MSH-C**

Code	Tray Size	SWL*	Weight
<b>FCS-MSH100</b>	<b>100mm</b>	30kg	4.41kg
<b>FCS-MSH150</b>	<b>150mm</b>	30kg	5.52kg
<b>FCS-MSH225</b>	<b>225mm</b>	30kg	7.27kg
<b>FCS-MSH300</b>	<b>300mm</b>	30kg	9.03kg

\*When used in a cantilever situation.