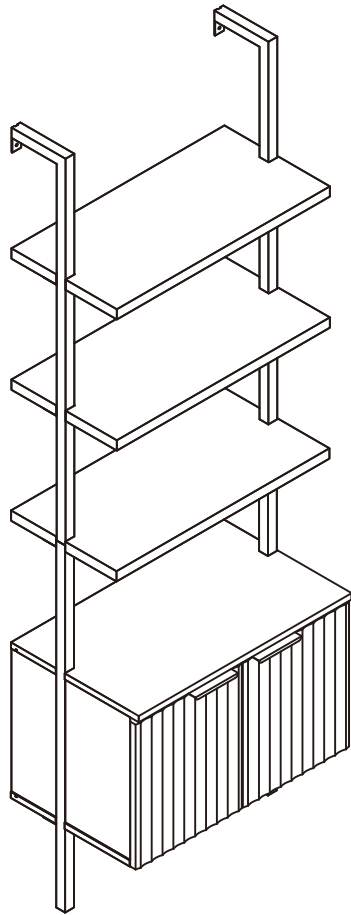


OAKHAM

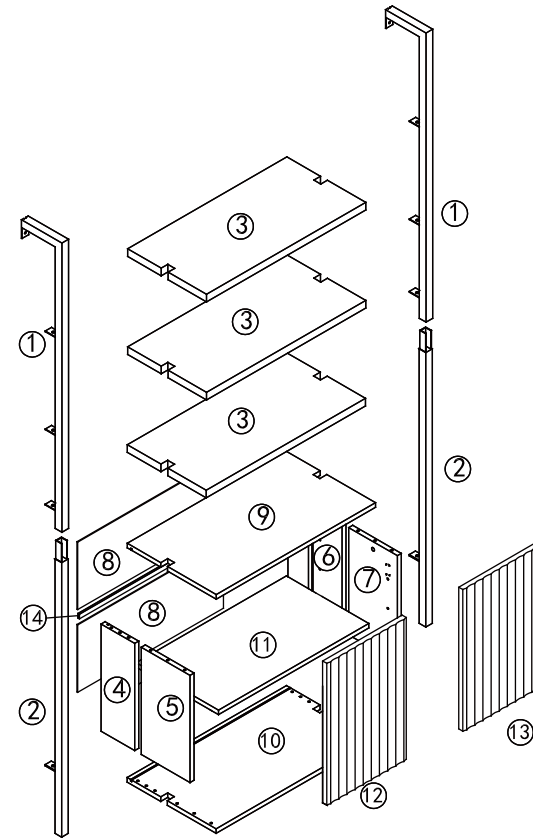


Video instructions can be found at:
<https://oakhamdesign.com/pages/assembly-videos>











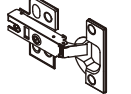


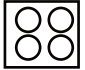
Your satisfaction is our priority!

If for any reason there is anything missing, incorrect, or different from your expectation, please contact us first at care@oakhamdesign.com

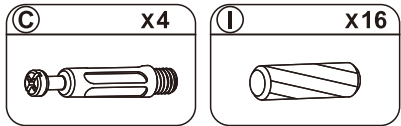
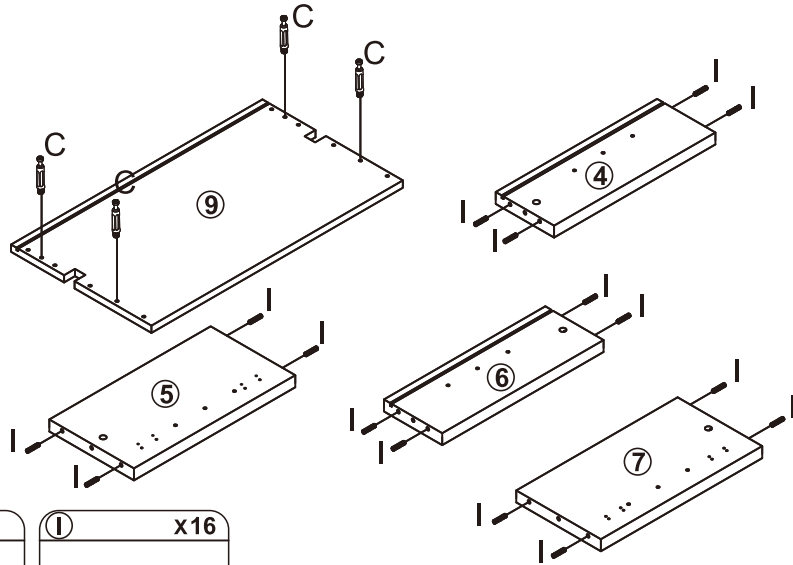
Parts list



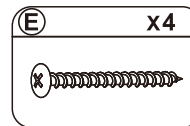
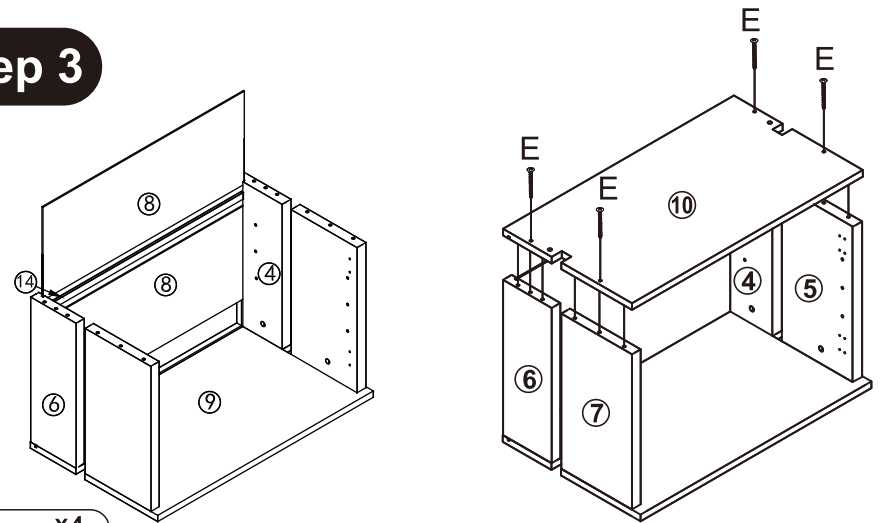
Hardware list

A x12 M6*12MM 	B x2 	C x4 M6*25MM 	D x4 $\phi 15 \times 9.5$ MM 	E x4 $\phi 4 \times 50$ MM 
F x4 $\phi 3.5 \times 12$ MM 	G x2 $\phi 4 \times 32$ MM 	H x2 M6*30MM 	I x16 M8*30MM 	J x24 $\phi 4 \times 14$ MM 
K x4 $\phi 40$ MM 	L x1 4MM 	M x4 	N x4 	

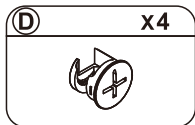
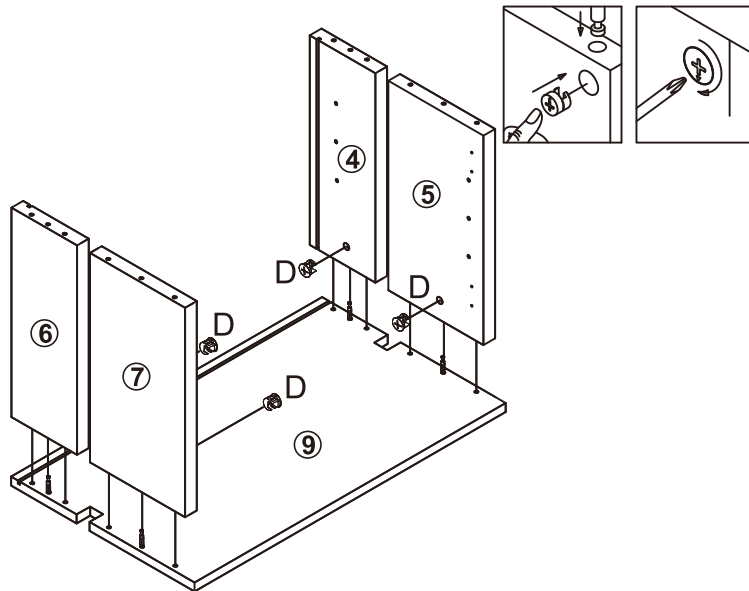
Step 1



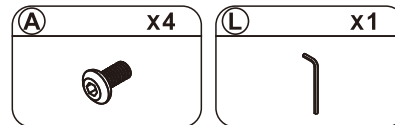
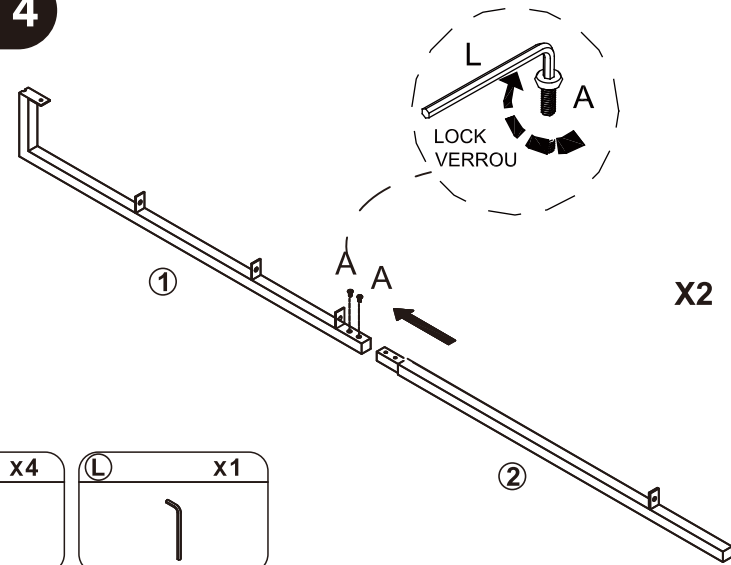
Step 3



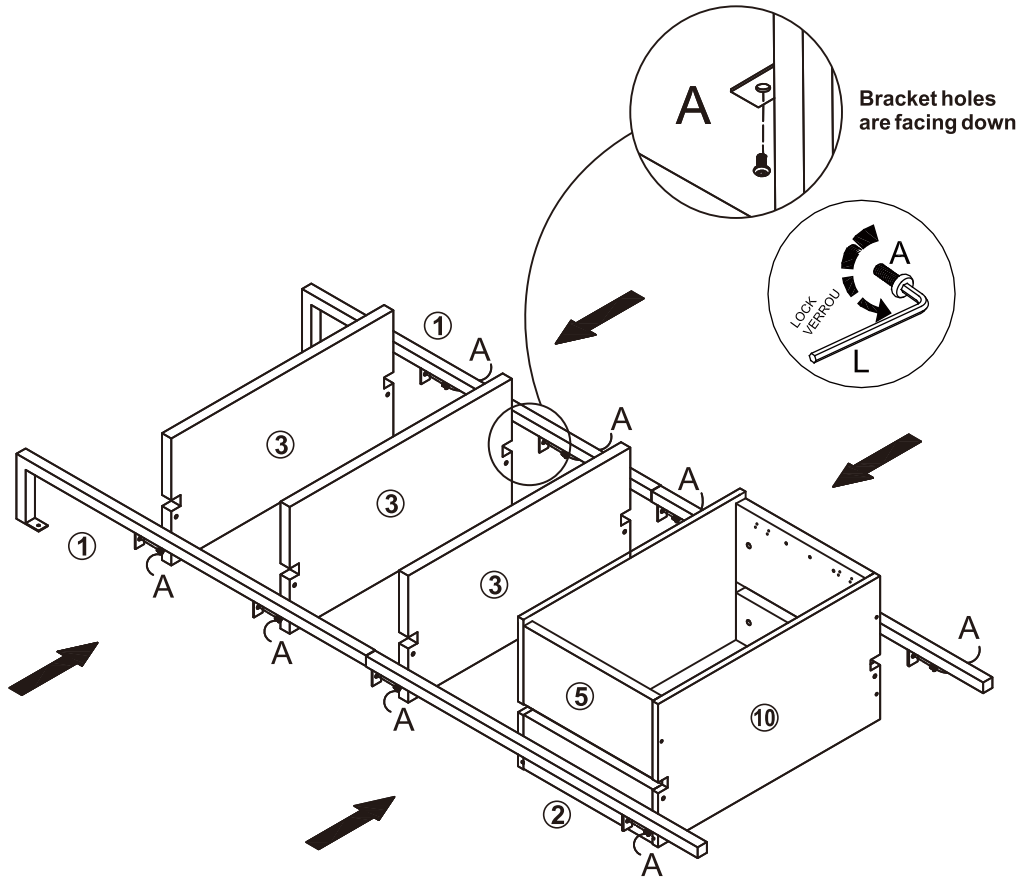
Step 2



Step 4

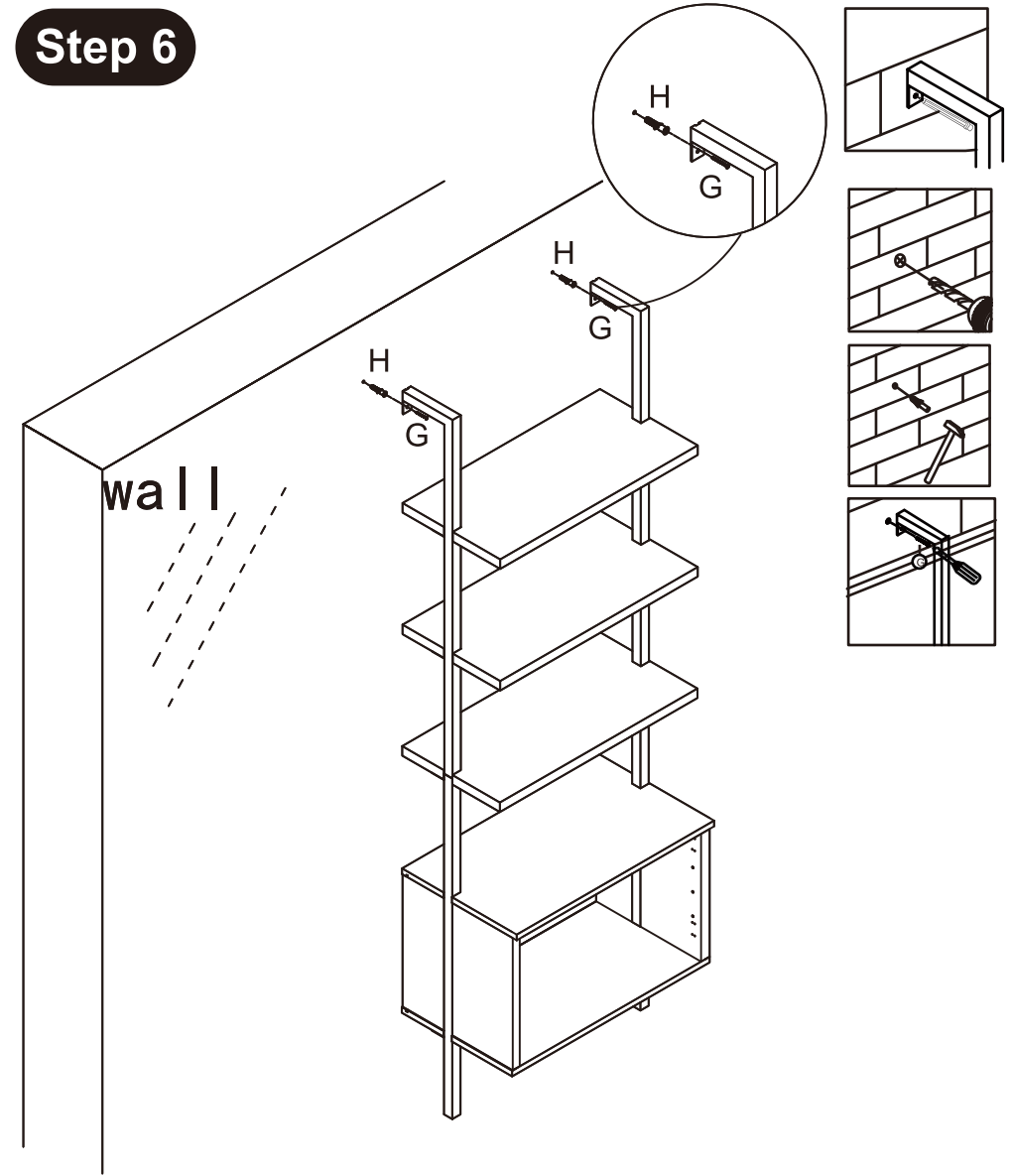


Step 5

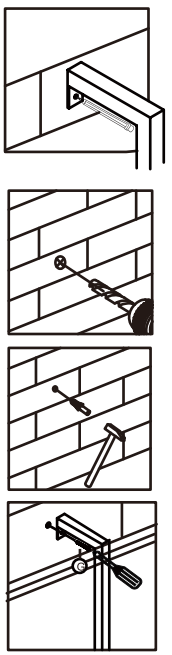


- (A) x8
- (L) x1

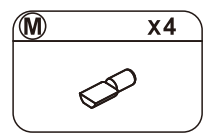
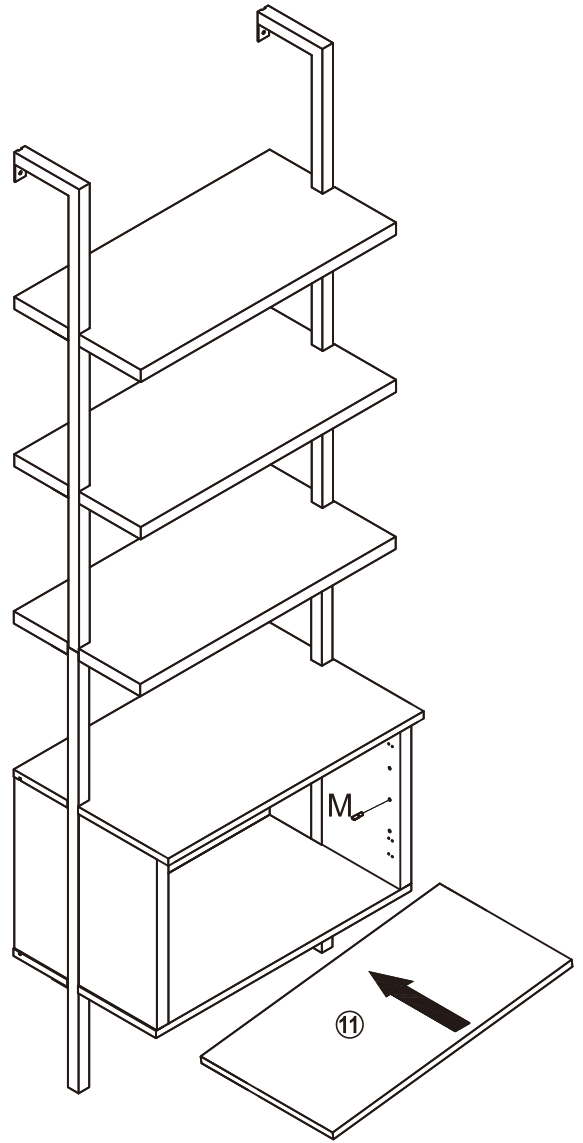
Step 6



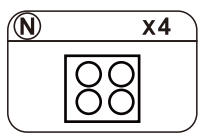
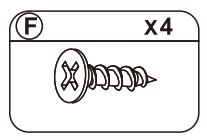
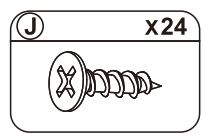
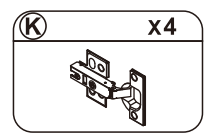
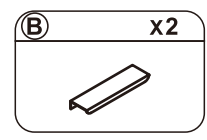
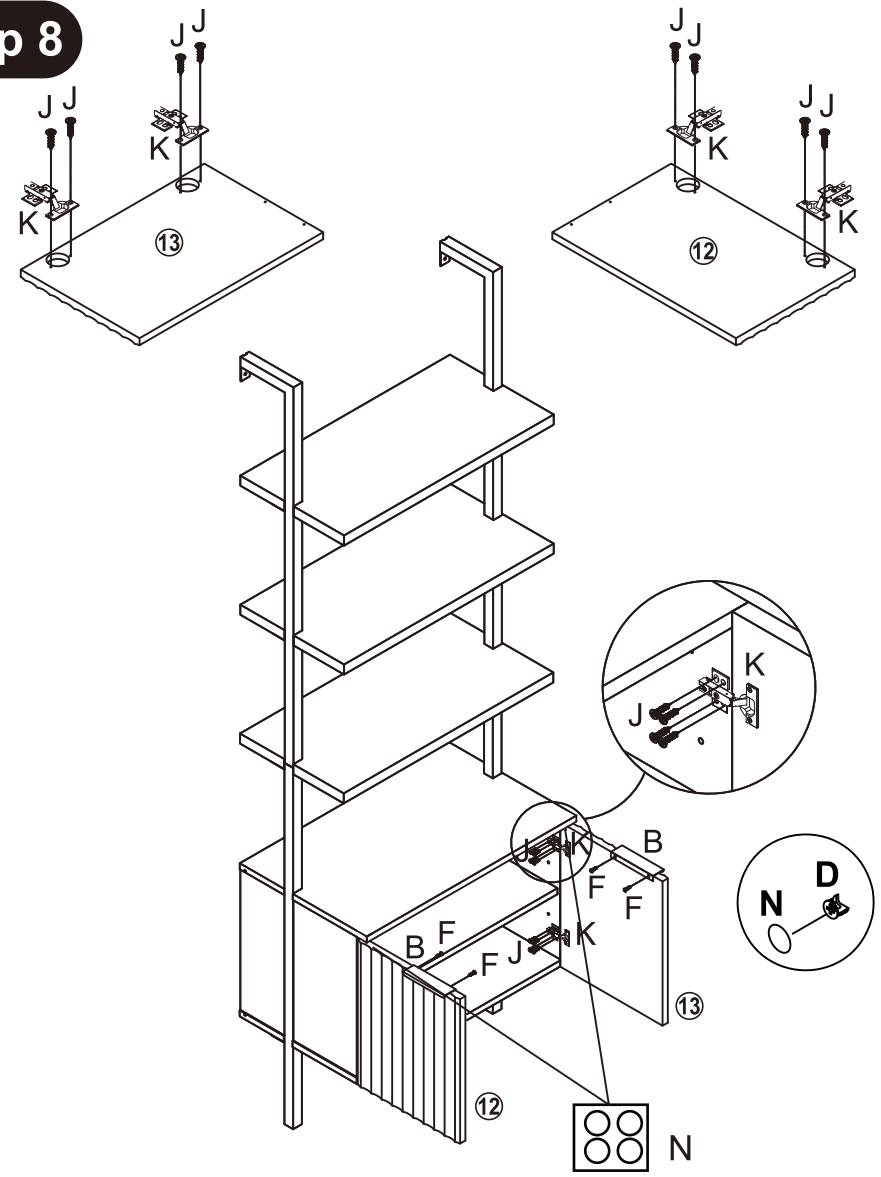
- (G) x2
- (H) x2



Step 7



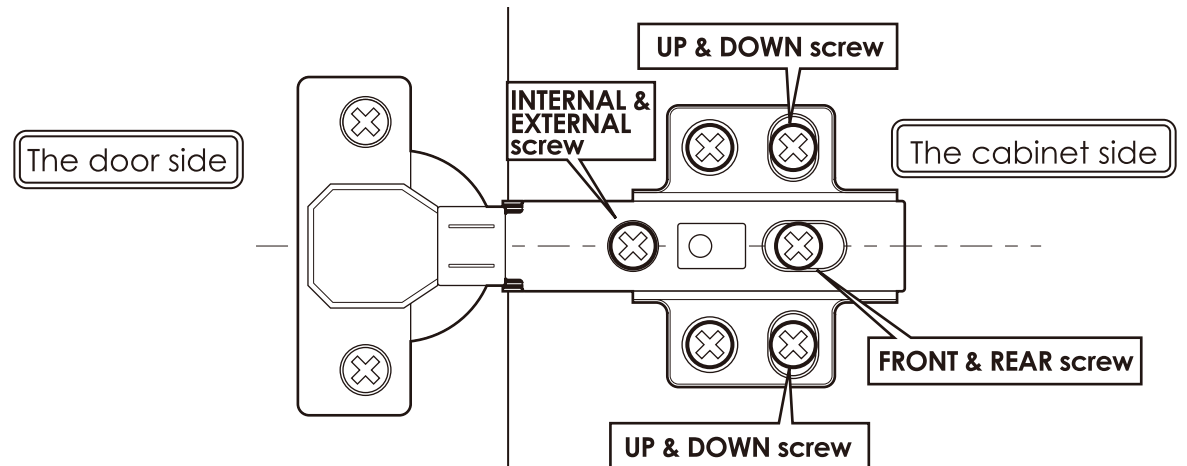
Step 8



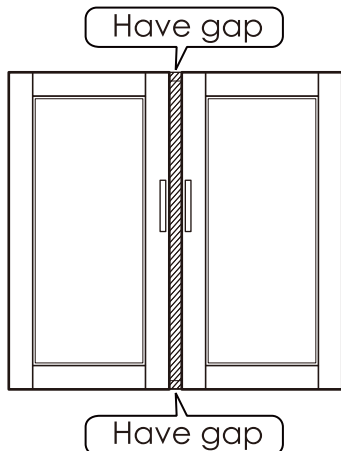
Adjusting the door

- Before adjusting the hinge, please check whether the cabinet is skewed.
- If the skew can not be repaired, please remove the anti-tipping device first, then adjust the cabinet to vertical position.
- Please adjust the hinge with the door open.
- Please operate it with more than 2 people, one person holds the door and the other one adjusts the screw.
- Have trouble adjusting the door? Please check out our video on adjusting the door via our website or contact care@oakhamdesign.com !

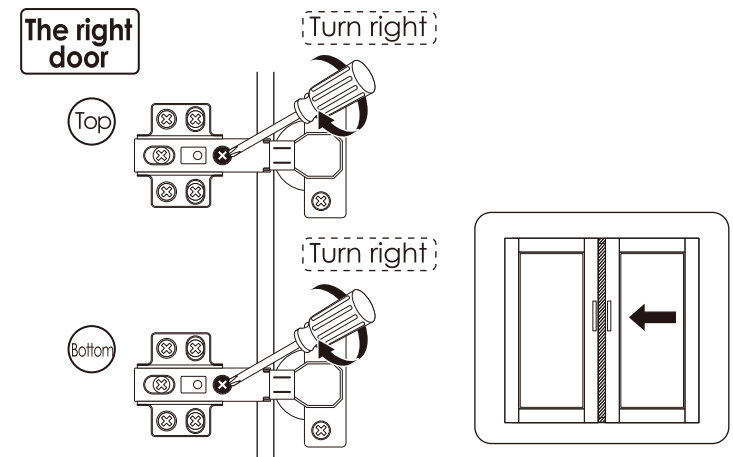
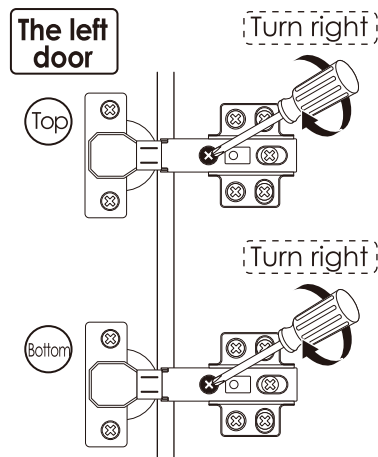
Components Name



Obvious gaps between doors or Doors don't look closed



1 Turn "internal & external screw" to the right can make the door approach inside. Please adjust the doors little by little.



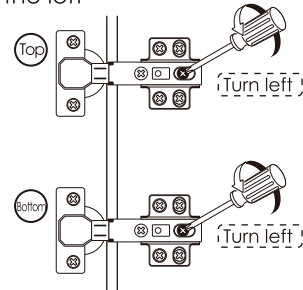
※ If the 2 doors are overlap, please turn the "internal & external screw" to the left.

When door is crooked



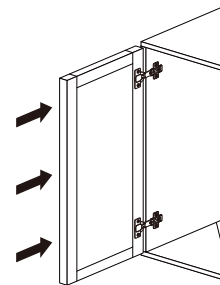
Please take the following steps to adjust first.

1 Rotate the "front and rear screws" to the left

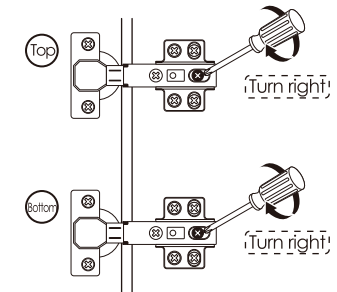


※ After adjusting the "front and rear screw", the door still does not change, please turn the "internal & external screw" to the right Slightly.

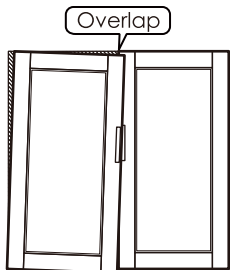
2 Push the door to the cabinet



3 Rotate the "front and rear screws" to the right

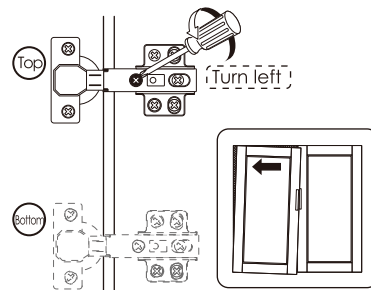


When door is leaning

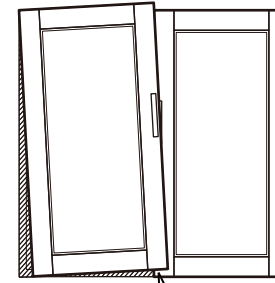


Protruding to the underside

1 Turn "internal & external screw" to the left can make the top of the door tilted outward.

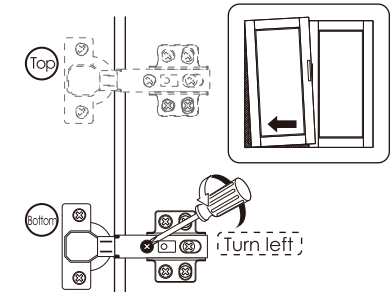


Protruding to the upside

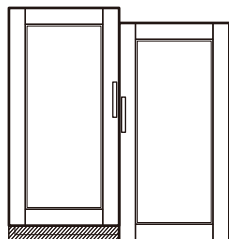


Overlap

1 Turn "internal & external screw" to the left can make the bottom of the door tilted outward.

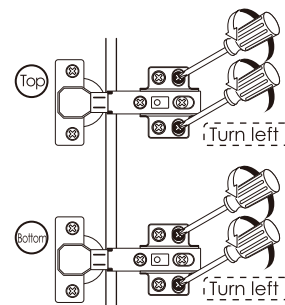


When the door is higher on top

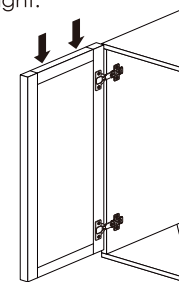


Have gap

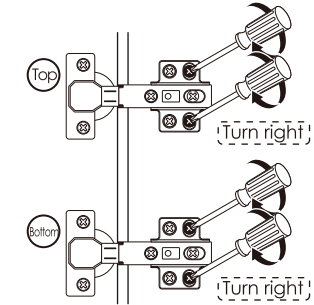
1 Turn "up & down screw" to the left



2 Lower the door's height so that 2 doors are of the same height.

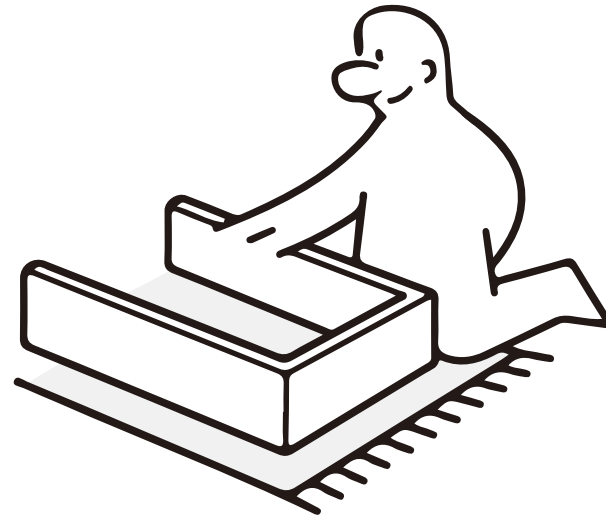
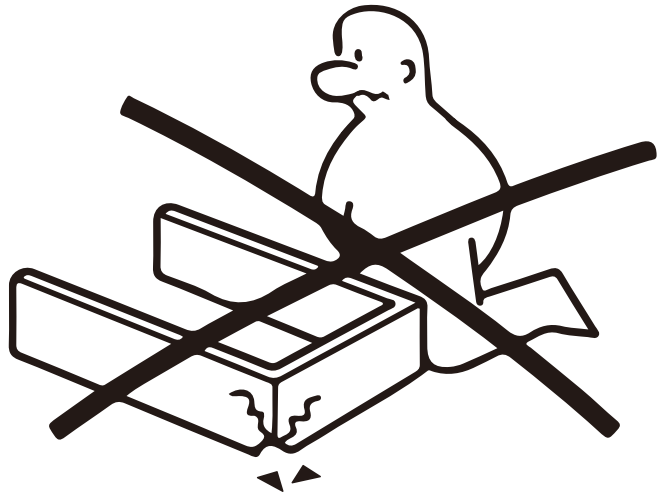


3 Turn "up & down screw" to the right



※ If the door is lower on bottom, please lift up the left door slightly on step 2

※ **Stay Scratch-Free: Safeguard Your Furniture by Assembling on Carpet.**



※ **Stuck in Assembly Limbo? Check out our website or contact our support team for quick solutions!**

