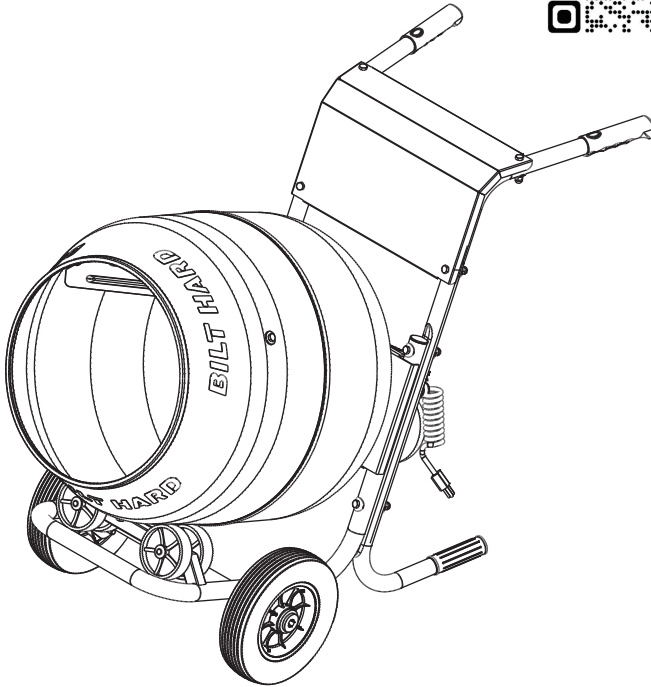


BILT HARD

Using tips:
Video on Youtube



FOR YOUR SAFETY

**READ AND UNDERSTAND THE ENTIRE MANUAL
BEFORE OPERATING MACHINE**

SKU: TCA-0053

Both model number and serial number may be found on the main label.
You should record both of them in a safe place for future use.

Save This Manual For Future Reference

Customer Support: (888)680-2849, inquiry@bilthardusa.com

CEMENT MIXER – Owner's Manual

Contents

Specifications	2
Safety Alert Symbols	3-4
Safety Information & Guidelines	5-7
Parts List And Diagram	8
Assembly	9-12
Operating Instructions	13
General Operating Instructions	13-14
Maintenance And Servicing	14
Cleaning, Maintenance, And Lubrication	15
Troubleshooting	15
LIMITED WARRANTIES	16

Specifications








Electrical Input	115VAC / 60Hz / 4.3A	
Motor No Load Speed	1680RPM	
Horse Power	0.5	
Drum Speed	24RPM	
Drum Capacity	4 Cubic Feet	
Drum Opening	15"	
Drum Diameter	21.65"	
Overall Sizes	L	48.8"
	W	21.9"
	H	32.9"
Mixer Weight	82.89 lbs	
Mixing Capacity	235 lbs	

NOTICE

FOR CEMENT AND MORTAR ONLY.

SAFETY ALERT SYMBOLS

Indicates danger, warning, or caution. Attention is required in order to avoid serious personal injury. The signal word (**DANGER, WARNING, OR CAUTION**) is used with the alert symbol to alert you to special instruction about a particular operation that may be hazardous if performed incorrectly or carelessly. Observe them carefully.

SYMBOL	EXPLANATION
 DANGER	Which an imminently hazardous situation indicates, if not avoided, will result in death or serious injury.
 WARNING	Which a potentially hazardous situation indicates, if not avoided, could result in death or serious injury.
 WARNING	To reduce the risk of injury, read the instruction manual.
 WARNING	This product is known to the State of California to contain chemicals that cause cancer, birth defects and/or reproductive harm.
 CAUTION	Which a potentially hazardous situation indicates, if not avoided, may result in minor or moderate injury.
 CAUTION	Wash hands after handling.
 NOTE	Which a practice not related to personal injury indicates, if not avoided, may result in property damage.

UNDERSTAND YOUR MIXER



Read and understand the owner's manual and labels affixed to the mixer. Learn its application and limitations as well as the specific potential hazards peculiar to it. Become familiar with the controls before operating this mixer.



DRESS PROPERLY

Do not wear loose clothing, gloves, neckties or jewelry (rings, wrist watches). They can be caught in moving parts. Protective electrically non-conductive gloves and non-skid footwear are recommended when

SAFETY ALERT SYMBOLS



working. Wear protective hair covering to contain long hair, preventing it from getting caught in machinery. Wear a face or dust mask if the operation is dusty.



Always wear safety goggles and/or face shields. Everyday eyeglasses have only impact resistant lenses. They are not safety glasses.



KEEP VISITORS AND CHILDREN AWAY

Keep unauthorized persons away from the mixer.
Do not allow children to handle or climb on or in the mixer.

DISCONNECT POWER



Never open the motor cover before unplugging the mixer. Disconnect from power supply when not in use, before moving, making adjustments, changing parts, cleaning, or working on the mixer. Consult technical manual before servicing.



AVOID INJURY FROM UNEXPECTED ACCIDENT

Keep hands out of the way of all moving parts. Do not place any part of your body or any tool, like shovel in the drum during operation.



DO NOT FORCE TOOL

It will do a better and safer job at its design rate. Always work within the rated capacity. Do not start the motor if the drum is fully loaded. Do not turn mixer off while full of concrete. Do not use the mixer for a purpose for which it was not intended.



PROTECT THE ENVIRONMENT

Take left over materials to an authorized collection point or follow the stipulations in the country where the mixer is used. Do not discharge into drains, soil or water.



AVOID DANGEROUS CONDITIONS

Make sure there is adequate surrounding workspace. Keep your work area clean and well lighted. Cluttered areas invite injuries. Keep area around the mixer clear of obstructions, grease, oil, trash and other debris which could cause persons fall onto moving parts.



Only use or operate the mixer on solid, flat, level ground that is capable to support the weight of the mixer and its load to prevent the mixer from tipping over. Do not attempt to move the mixer when it is loaded and/or in operation. This mixer is intended for the production of concrete, mortar and plaster. It is not suitable for the mixing of flammable or explosive substances. Do not use it in areas where fumes from paint, solvents or flammable liquids pose a potential hazard.



Do not use it in areas where fumes from paint, solvents or flammable liquids pose a potential hazard.

Safety Information & Guidelines

IMPORTANT SAFETY INSTRUCTIONS

This product is not intended for use by persons suffering from diminished physical, sensory or mental abilities; lack of experience, knowledge or skills unless they are supervised by a person responsible for their safety. Keep children away.

OBSERVE WORK AREA CONDITIONS



DANGER

- **Do not operate cement mixer in explosive atmospheres, such as in the presence of flammable liquids, gases or dust.** Electric motors create sparks which may ignite the dust or fumes.
- **Do not use in wet conditions.**



WARNING

- **Keep children and bystanders away while operating the cement mixer.**
- **Work area should be clear of debris and obstructions.**
- **Ensure all tools and other equipment are removed from area and the cement mixer drum before operating.**
- **The cement mixer should be on a level surface to prevent tipping, rolling or falling.**

ELECTRICAL SAFETY



DANGER

- **When operating the cement mixer outdoors or in a damp location, use a ground fault circuit interrupter (GFCI) protected supply.**
- **When operating the cement mixer outdoors, use an extension cord suitable for outdoor use.**
- **Avoid body contact with earthed or grounded surfaces such as pipes, radiators, ranges and refrigerators.** There is an increased risk of electric shock if your body is earthed or grounded.
- **Do not expose cement mixer to rain or wet conditions.** Water entering an electric motor will increase the risk of electric shock.



WARNING

- **Do not abuse the cord. Never use the cord for carrying, pulling or unplugging the unit. Keep cord away from heat, oil, sharp edges or moving parts. Ensure power cord is in good condition before each use. Damaged or entangled cords increase the risk of electric shock.**

Safety Information & Guidelines (Continued)



WARNING (Continued)

- **Never modify the plug in any way.** Unmodified plugs and matching outlets will reduce risk of electric shock.
- **If the power cord is damaged, it must be replaced by the manufacturer,** its service agent or similarly qualified person in order to avoid a hazard.



CAUTION

- **Use On/Off buttons for Starting/Stopping the cement mixer.**

PERSONAL SAFETY



DANGER

- **Do not wear loose clothing or jewelry. Keep your hair, clothing and gloves away from moving parts.** Loose clothes, jewelry or long hair can be caught in moving parts.
- **Do not place hands or tools (ie. shovel) in or around the drum while operating.** Personal injury could occur.
- **Do not use the cement mixer while you are tired or under the influence of drugs, alcohol or medication.** A moment of inattention while operating may result in serious personal injury.



WARNING

- **Use personal protective equipment. Always wear eye protection.** Protective equipment such as a dust mask, non-skid safety shoes, hard hat or hearing protection used for appropriate conditions will reduce the risk of personal injuries.

CEMENT MIXER USE AND CARE



WARNING

- **Never leave cement mixer running unattended.**
- **Do not allow persons unfamiliar with the cement mixer or these instructions to operate the cement mixer.**
- **Disconnect the plug from the power source before servicing, adjusting, installing accessories or attachments.**

Safety Information & Guidelines (Continued)



CAUTION

- **Ensure drum is empty before transporting.**
- **Do not overload mixer. See Specifications, page 2 for load capacity. Overloading could cause damage to the cement mixer.**
- **Store cement mixer out of the reach of children.**
- **Maintain the cement mixer. Check for wear and damaged parts.** Before each use ensure the cement mixer operates properly. Any broken or missing parts must be repaired or replaced before using. Many accidents are caused by poorly maintained cement mixers.



NOTE

- **Keep the cement mixer clean. Clean after each use.**
- **Ensure drum is rotating when filling or emptying the mixer. This ensures a good mix and prevents damage to the motor.**
- **Be familiar with concrete mix being used, particularly quick set formulas.** This is important when motor overload protection shuts off the motor to prevent motor damage.
- **Always practice environment pollution procedures.** Clean out the drum in a designated area where the concrete and rinse water can be contained. Concrete and rinse water can pollute storm drains and surface water.
- **Use the cement mixer in accordance with these instructions, taking into account the working conditions and the work to be performed.** Use of the cement mixer for operations different from those intended could result in a hazardous situation.
- **Only use accessories recommended by the manufacturer.**

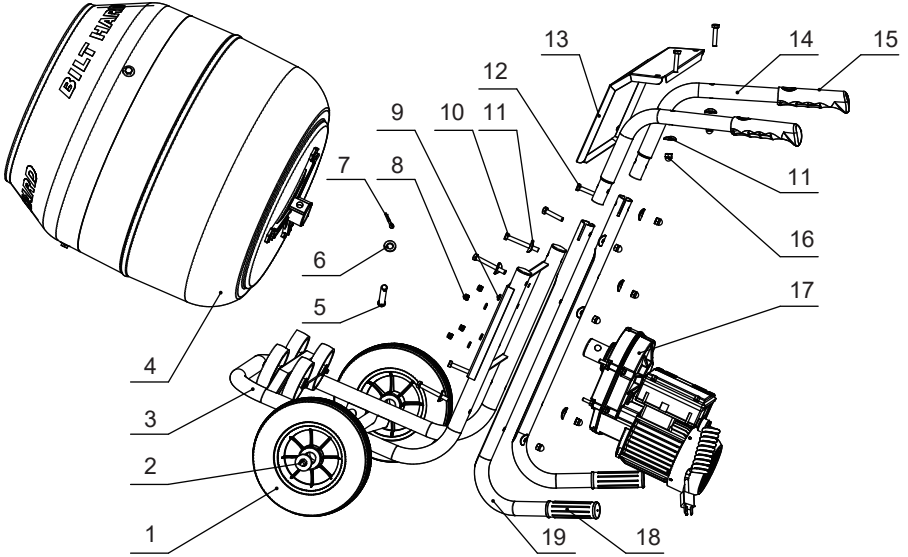
SERVICE



WARNING

- **Have the cement mixer serviced by a qualified repair person using identical replacement parts.** This ensures the cement mixer is properly maintained.

PARTS LIST AND DIAGRAM



Part	Description	Qty	Part	Description	Qty
1	Wheel	2	11	R14M8 Washer	12
2	Wheel Plug	3	12	M8*45 Screw	4
3	Lower Frame	1	13	Top Cover	1
4	Drum Assembly	1	14	Handle	2
5	Motor shaft Pin	1	15	Rubber Sleeve	2
6	G1/4" Washer	1	16	M8 Cap Nut	8
7	Cotter Pin	1	17	Gear Motor Assembly	1
8	M8 Nut	4	18	Support Leg Sleeve	2
9	M8 Washer	4	19	Support Leg	2
10	M8*70 Screw	4			

ASSEMBLY

Setup - Before Use



Read the ENTIRE IMPORTANT SAFETY INFORMATION section at the beginning of this document including all text under subheadings there in before set up or use of this product.

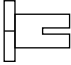
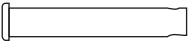





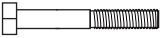





WARNING

TO PREVENT SERIOUS INJURY FROM ACCIDENTAL OPERATION:

Turn the Power Switch of the tool off before performing any procedure in this section.

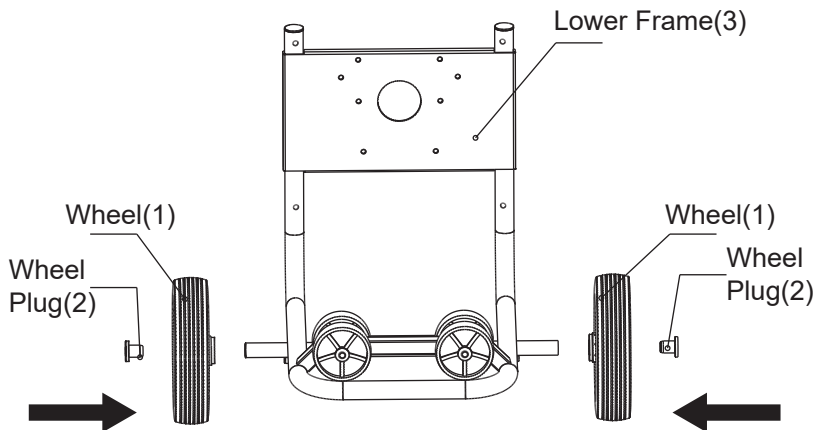
Note: For additional information regarding the parts listed in the following pages, refer to the Assembly Diagram near the end of this manual.

SCREW PACKAGE A			
2	Wheel Plug		3
5	Motor shaft Pin		1
6	G1/4" Washer		1
7	Cotter Pin		1
8	M8 Nut		4
9	M8 Washer		4
A	Cable Tie		2
SCREW PACKAGE B			
10	M8*70 Screw		4
11	R14M8 Washer		12
12	M8*45 Screw		4
16	M8 Cap Nut		8

ASSEMBLY

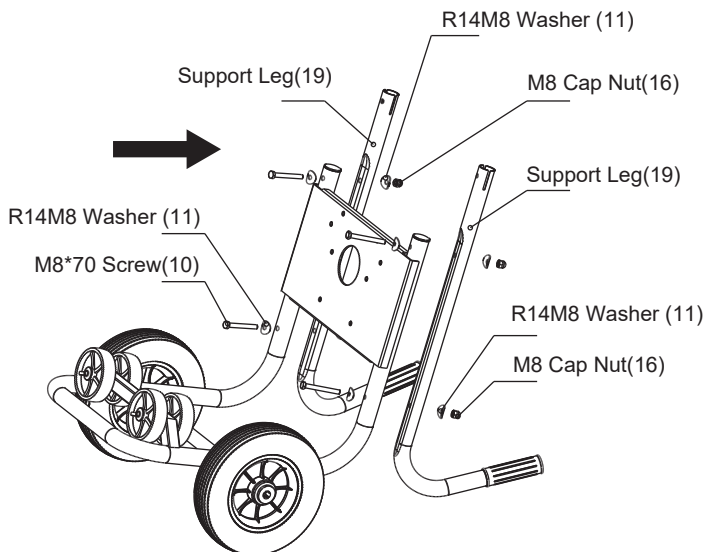
Step 1

Install two wheels(1) to the lower frame(3) and use the wheel plug(2) to fix the wheel. Note: When disassemble the wheel plugs, use diameter 12MM, length over 600MM round rod to tap the hole on the inside of the plug. Then the plugs will easy to take out.



Step 2

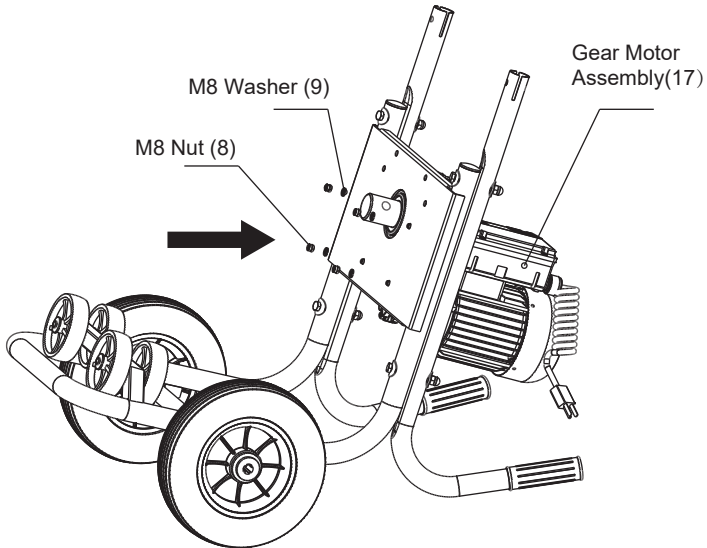
Assemble support leg(19) to lower frame(3) using M8 washer (11), M8 cap nut(16) and M8 screw(10).



ASSEMBLY

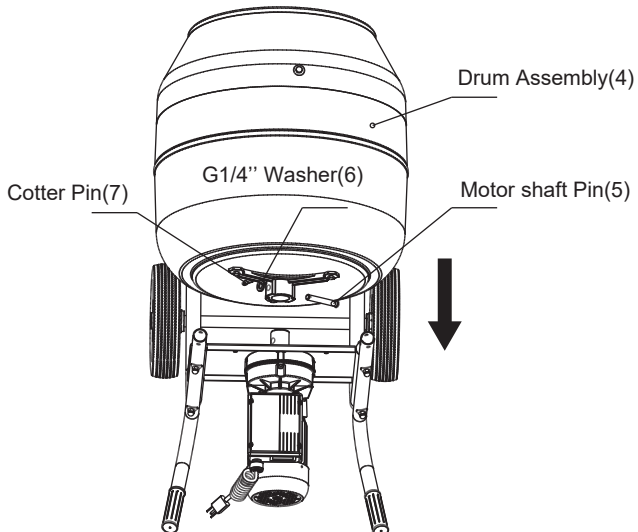
Step 3

Assemble gear motor(17) to lower frame(3) using M8 washer(9), M8 nut(8).



Step 4

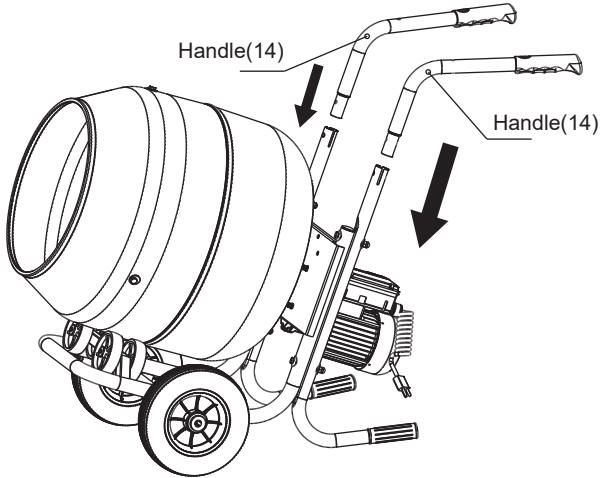
Assemble drum Assembly(4) to motor(17) using motor shaft pin(5) and cotter pin(7). SECURE COTTER PIN PROPERLY BEFORE MIXING.



ASSEMBLY

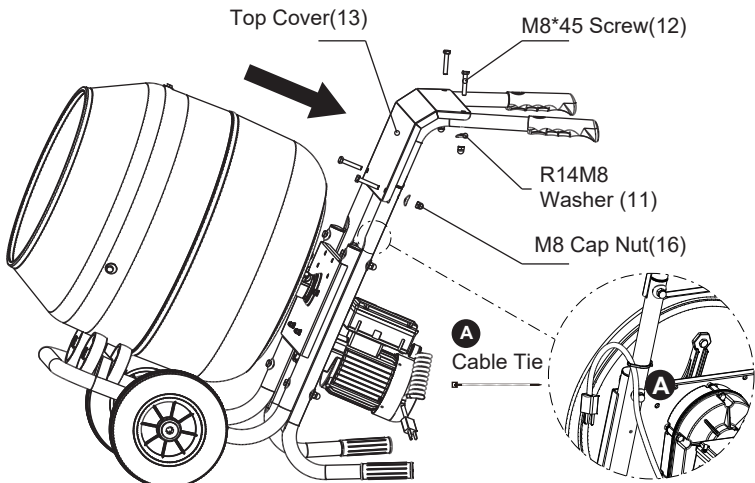
Step 5

Slide two handles into lower frame(3) tube.



Step 6

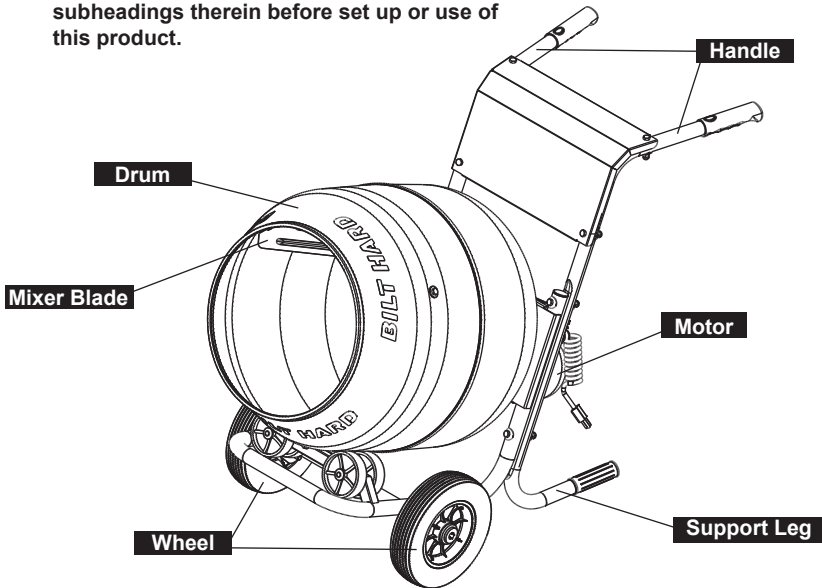
Attach top cover(13) to lower frame(3) & handles using M8 screw(12), M8 washer(11) and M8 cap nut(16). Note: The plug cable of gear motor can use A cable tie to fasten.



Operating Instructions



Read the **ENTIRE IMPORTANT SAFETY INFORMATION** section at the beginning of this document including all text under subheadings therein before set up or use of this product.



General Operating Instructions

WARNING! TO PREVENT SERIOUS INJURY :

Do not operate the Mixer on slopes or uneven surfaces with an incline greater than 5°. Ensure the Mixer is stable before and after starting the Motor.

WARNING! TO PREVENT SERIOUS INJURY :

Do not attempt to move the Mixer when it is full and/or in operation. Block the wheels with wheel chocks (not included).

WARNING! TO PREVENT SERIOUS INJURY :

Keep clear of rollers and other pinch points when running the Mixer, pivoting, or changing the angle of the Drum.

1. Place the Cement Mixer on a solid, even surface.
2. Connect the Power Cord to an electric outlet (or properly rated grounded three prong extension cord).

Note: Turn the Motor on before filling the Drum, this will protect the Motor and evenly mix materials.

3. Press the green **"ON"** Button, the drum will spin.

Note: Inspect the mix frequently to ensure it does not harden or dry. Allowing mix to harden or dry could damage the mixer or cause a malfunction.

General Operating Instructions(Continued)

4. Add material to the Drum. Typical maximum quantities include: two 80lb bags of cement mix and up to 2 gallons of water. Refer to material manufacturer's instructions.
5. Once materials are mixed, Tilt drum opening downward and dump materials where needed. The materials are dumped while the Drum is rotating.
6. When finished, press the red "OFF" Button, the Drum will stop. Disconnect the Power Cord.
7. Tilt the Drum angle as far down as possible to drain all fluids from Drum.
8. Clean, then store out of children's reach.

Maintenance and Servicing



Procedures not specifically explained in this manual must be performed only by a qualified technician.



WARNING

TO PREVENT SERIOUS INJURY FROM ACCIDENTAL OPERATION:

Turn the Power Switch of the tool to its "OFF" position and unplug the tool from its electrical outlet before performing any inspection, maintenance, or cleaning procedures.

TO PREVENT SERIOUS INJURY FROM TOOL FAILURE:

Do not use damaged equipment. If abnormal noise or vibration occurs, have the problem corrected before further use.

Cleaning, Maintenance, and Lubrication

1. **BEFORE EACH USE**, inspect the general condition of the tool. Check for:

- Loose hardware
- Misalignment or binding of moving parts
- Cracked or broken parts
- Damaged electrical wiring
- Damaged or cracked belts
- Any other condition that may affect its safe operation.

2. **AFTER USE**, immediately wash out all debris from the inside and outside of the Cement Mixer. Scrub the inside of the Drum with a stiff, long handled bristle brush for best results. Wipe external surfaces of the tool with clean cloth.

3. **DO NOT** apply water in or around the Motor.

4. **PERIODICALLY** recheck all fasteners and other connections for tightness.



WARNING! TO PREVENT SERIOUS INJURY: If the supply cord of this power tool is damaged, it must be replaced only by a qualified service technician.

Troubleshooting

ELECTRICAL

PROBLEM	RESOLUTION
Motor does not run with concrete loaded.	Check power connection. Connect if needed.
	Ensure power connection voltage is 110 V - 120 V.
	Ensure the green ON button is pressed
	Motor overload protector tripped. Allow unit to cool then restart.
Mixer shuts down suddenly while mixing.	Check power connection. Connect if needed.
	Motor overload protector tripped. Allow unit to cool then restart.

MECHANICAL

PROBLEM	RESOLUTION
Drum does not turn when motor is running.	Ensure Motor shaft pin is properly placed
Irregular noise when drum is spinning	Remove drum and clean the gearbox drive shaft and drum with soft clean cloth

LIMITED WARRANTIES

Our company makes every effort to assure that its products meet high quality and durability standards, and warrants to the original purchaser that this product is free from defects in materials and workmanship for the period of 90 days from the date of purchase. This warranty does not apply to damage due directly or indirectly, to misuse, abuse, negligence or accidents, repairs or alterations outside our facilities, criminal activity, improper installation, normal wear and tear, or to lack of maintenance. We shall in no event be liable for death, injuries to persons or property, or for incidental, contingent, special or consequential damages arising from the use of our product. Some states do not allow the exclusion or limitation of incidental or consequential damages, so the above limitation of exclusion may not apply to you. To take advantage of this warranty, the product or part must be returned to us with transportation charges prepaid. Proof of purchase date and an explanation of the complaint must accompany the merchandise.

If our inspection verifies the defect, we will either repair or replace the product at our election or we may elect to refund the purchase price if we cannot readily and quickly provide you with a replacement. We will return repaired products at our expense, but if we determine there is no defect, or that the defect resulted from causes not within the scope of our warranty, then you must bear the cost of returning the product.

This warranty gives you specific legal rights and you may also have other rights which vary from state to state.