



Reyee RG-R6

3200M Gigabit Dual-Band Wi-Fi 6 Wireless Router



For more information, please check: www.ireyee.com
Technical Support: www.ireyee.com/support

Product Overview

RG-R6 is a brand-new Wi-Fi 6 Gigabit Dual-band Wireless Router designed for customers who pursue high-quality whole family Wi-Fi services. This router promises excellent performance ensured by a new-generation standard IEEE 802.11ax, which is backward compatible with IEEE 802.11ac/n/g/b/a. In addition, this router is equipped with eight independent powerful amplifiers for enhancing signal strength.

The product provides one 10/100/1000 Mbps adaptive WAN port and three 10/100/1000 Mbps adaptive LAN ports, with a maximum bandwidth of 1000 Mbps for accessing external networks. The router supports the new generation Wi-Fi 6 and backward-compatible previous network standards. The maximum wireless rate is 800 Mbps at the 2.4 GHz band, 2402 Mbps at the 5 GHz band, and 3202 Mbps in dual-band mode.

Reyee Mesh technology allows you to quickly connect multiple routers without wiring or configurations. Wi-Fi signals provided by the whole family Wi-Fi solution can cover entire large flat floors, complex houses, duplexes, and villas. Routers integrating the Reyee Mesh feature support cross-model mesh networking, providing a flexible network deployment method. The radio calibration algorithm of the routers, which has also been applied to millions of enterprise-grade access points (APs), provide seamless roaming for users. Users remain unaware of signal switching, but experience a seamless network connection as they move around within an area covered by Wi-Fi signals.

The router supports local and remote management modes, web-based mode and Reyee Router App. As well, it provides distinctive network solutions, including the parental control, Xpress mode, Specifically designed with exclusive Wi-Fi for smart home kits, to meet the needs of all household scenarios.



Strong Signals Across Walls
Signal Visualization



Matrix Antenna System
3D Signal Coverage



One-Click Reyee Mesh
Whole Family Wi-Fi

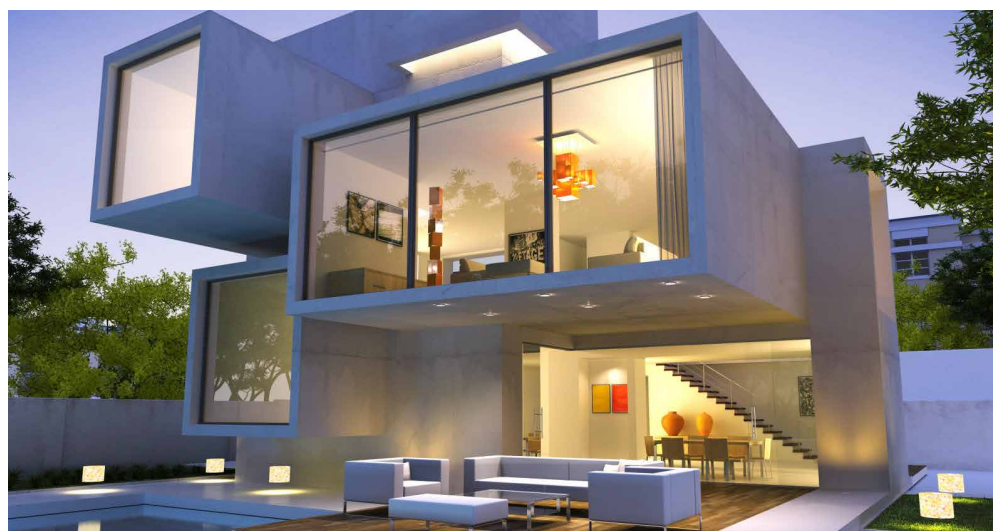


Product Features



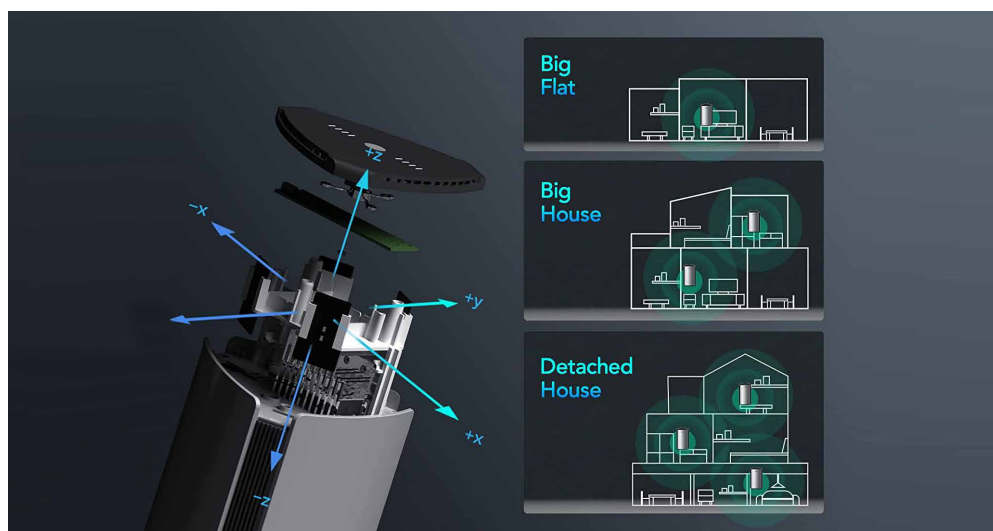
Revolutionary Internet Experience in Wi-Fi 6

The wireless rate in dual-band mode reaches up to 3202 Mbps. With the higher order 1024-Quadrature Amplitude Modulation (QAM) technology of Wi-Fi 6, the device increases the wireless speed by 166% compared to Wi-Fi 5 routers. Keeping pace with bandwidth upgrades and the growing popularity of Wi-Fi 6 terminals, this router provides powerful dual-core processing capabilities and intelligent hardware Network Address Translation (NAT) to further accelerated wireless access.



Strong Signals Across Walls

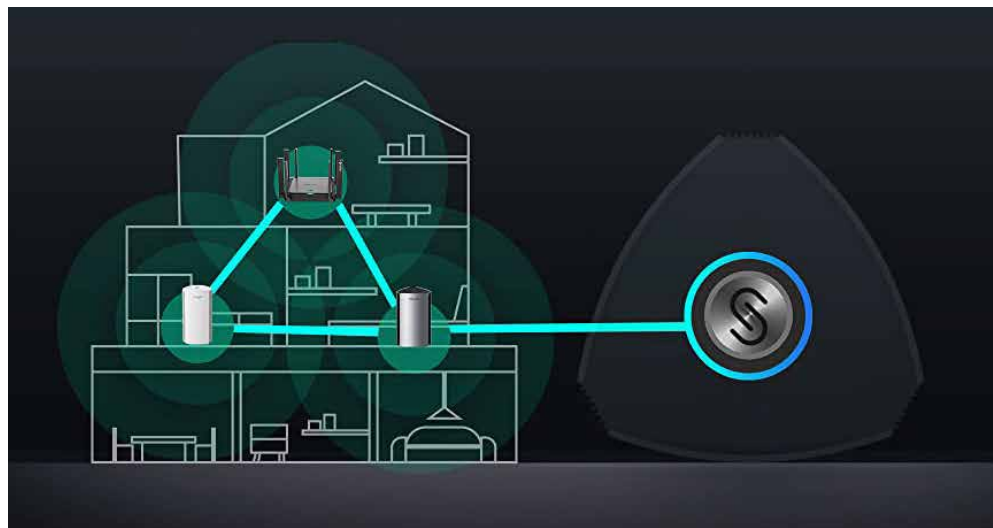
The device is equipped with eight independent high-performance signal amplifiers and evenly distribute at 2.4GHz and 5GHz. Its intelligent beamforming technology further ensures that robust and precise signal? spread through walls and signal coverage performance is increased by 50%. In particular, the Internet experience at 5 GHz is barely affected even penetrating walls.



Customized Matrix Antenna System

RG-R6 uses innovative two-axis antennas at 2.4 GHz and 5 GHz, together with eight two-way signal amplifiers to sustain the Wi-Fi 6 feature. In this way, signals in both horizontal and vertical directions are enhanced.

Product Features



Reeye Mesh for Seamless Roaming and Easy Wi-Fi Extension

The Reeye Mesh technology is used to connect multiple routers in a mesh mode. You can click the Reeye Mesh key to quickly connect multiple routers to form whole family Wi-Fi solution. The mesh supports wired bridge mode, wireless bridge mode, and hybrid bridge mode. Terminals such as mobile phones can automatically switch and seamlessly roam between the connected routers. Users remain unaware of signal switching even under gaming mode. Even the elderly and children can easily extend Wi-Fi signals by deploying another router.



Parental Control for More Reliable Internet Use

The router supports the control of Internet accessing behaviors based on applications and time. Parents can set rules to limit Internet access time for specific terminals. This router allows parents to remotely plan study time and Internet use for their children.

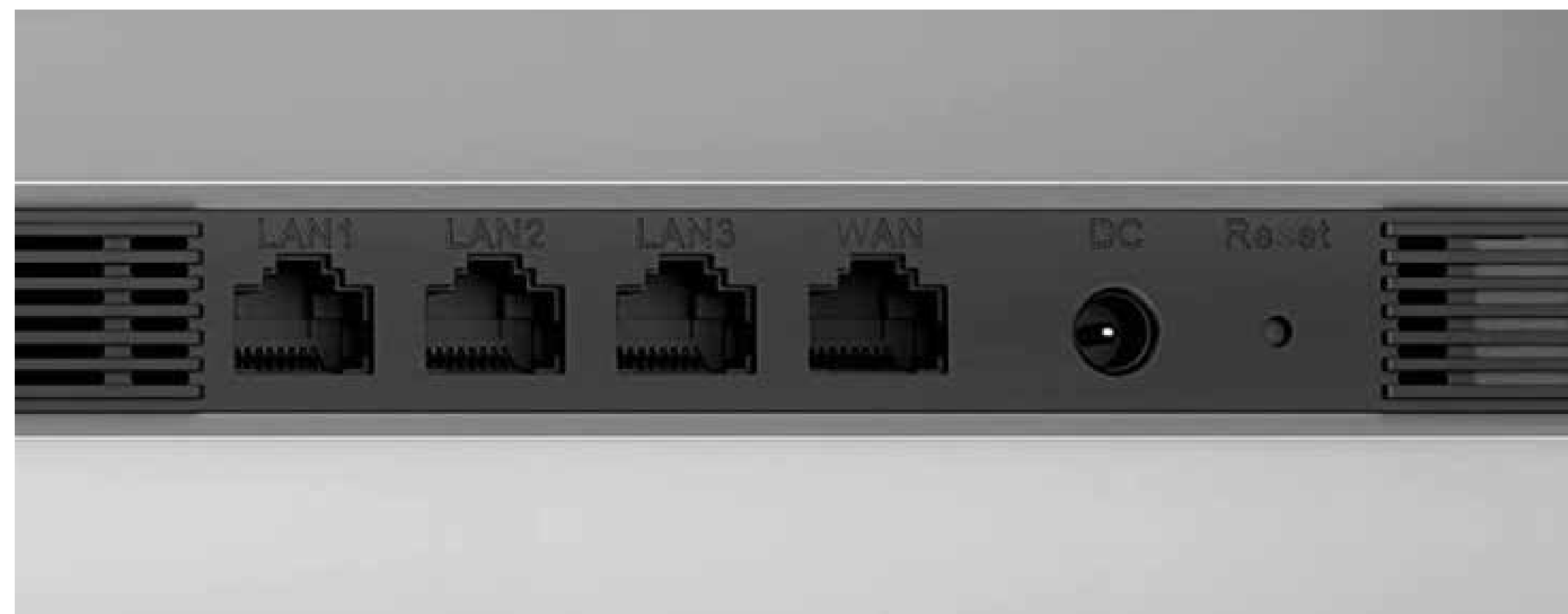
Specifications

Wireless Parameters

- 2.4 GHz, 4x4, maximum rate of 800 Mbps
- 5 GHz, 4x4, maximum rate of 2402 Mbps
- Four built-in dual-band omnidirectional antennas
- 802.11a/b/g/n/ac/ax and DL/UL MU-MIMO
- Independent 2.4 GHz and 5 GHz modules and dual-band mode
- Beamforming, OFDMA, and BSS color technologies

Ports

- One 10/100/1000M adaptive WAN port (auto MDI/MDIX)
- Three 10/100/1000M adaptive LAN ports (auto MDI/MDIX)
- One power input port



Buttons

- One Reyee Mesh key
- One system reset key

Indicators

- One signal visualizing Indicator
- One system & Mesh LED indicator

Physical Structure

- Dimensions: 119 mm × 128 mm × 201 mm
- Weight: 1.06 kg (including the package)

Power Supply

- Power specifications: DC 12 V, 2 A
- Maximum power: < 24 W

Certification

- FCC, IC, CE, RoHS, cTUVus

Operating Environment

- Operating temperature: -10°C to +45°C
- Storage temperature: -40°C to +70°C
- Operating humidity: 5% to 95% (non-condensing)
- Storage humidity: 5% to 95% (non-condensing)

Specifications

Software Parameters

- **Main features:**
 - PPPoE, DHCP, static IP address for Internet access
 - Acquisition of PPPoE accounts from routers of earlier versions
 - Dual-band mode
 - 5 GHz Bandsteering
 - Power adjustment
 - Automatic channel adjustment
 - Guest Wi-Fi
 - Rate limiting for terminal IP addresses
 - Static DHCP address
 - Virtual server
 - DDNS
 - DMZ
 - UPnP
- **Network security:**
 - WPA-PSK/WPA2-PSK encryption
 - SSID hiding
 - Wi-Fi squatter prevention (blacklist)
 - Internet access control
 - Firewall
- **Management modes:**
 - Local Web mode
 - App: iOS edition and Android edition
- **Advanced features:**
 - Reyee Mesh: Connects multiple devices into a mesh with zero configuration, supports automatic wired and wireless switching between multiple devices, and supports cross-model networking.
 - Wireless roaming
 - Hardware NAT
 - One-click network optimization
 - Fault diagnostics
 - Remote maintenance on the cloud
 - Auto and manual software upgrade on the cloud
 - Silent upgrade of cloud software



Other Information

Others

- 3200M full Gigabit Dual-Band Wi-Fi 6 wireless router:
- Built-in antennas
- Enterprise-grade chip solution
- Gigabit broadband access
- Dual-core CPU
- Support for hardware NAT.
- Concurrent access 78(recommended) terminals.
- Wireless access: Dual-Band 3202 Mbps.
- Wired access: 4 Gigabit ports, including 1 WAN port and 3 LAN ports
- Support for the latest 802.11AX standard
- Exclusive Reyee Mesh technology
- Wi-Fi seamless roaming
- 4+4 independent high-performance signal amplifiers
- Multiple management modes.