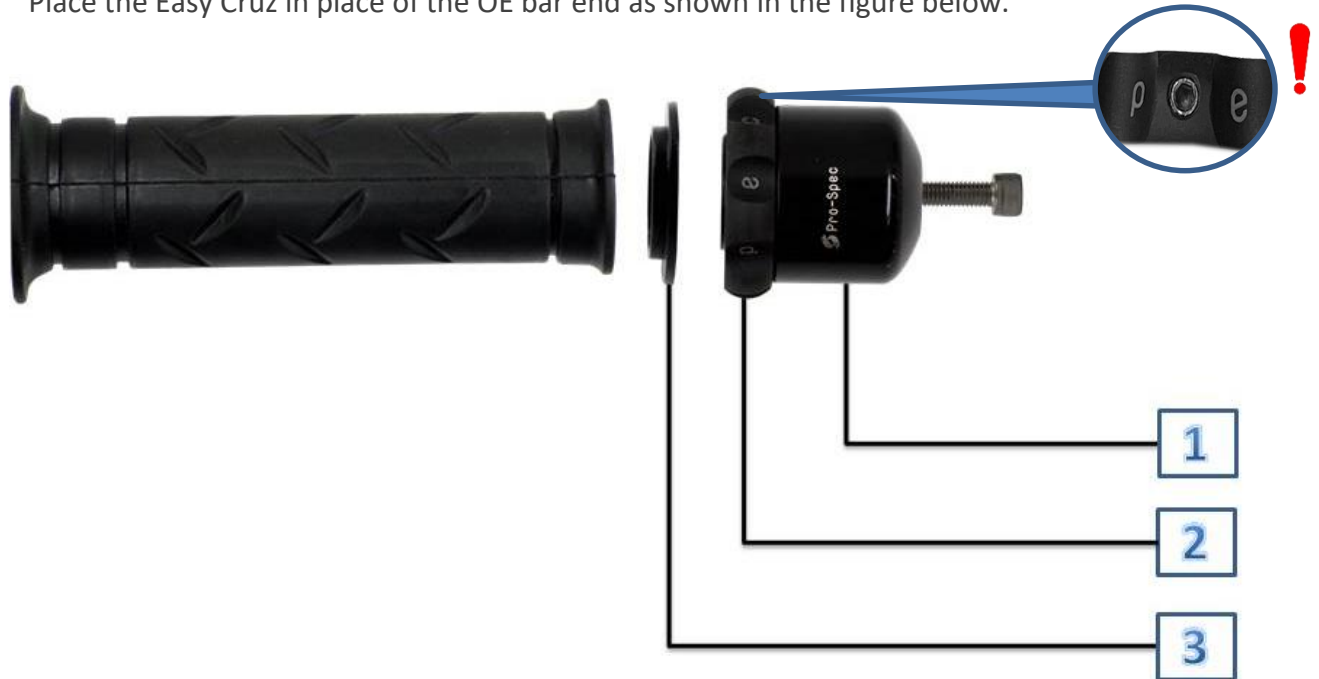


Thank you for choosing the Pro-Spec Easy Cruz for your ride. This Easy Cruz is designed for the Ninja 1000. It will be a direct replacement of the existing bar end. Once the Easy Cruz is engaged, it holds the accelerator in the desired throttle position. When the rider wishes to slow down, the accelerator can be brought back to its initial position by turning the accelerator in the direction of deceleration with the Easy Cruz being engaged.

Please follow the instructions carefully to ensure the desired benefit of the Easy Cruz.

1. Loosen the Allen head screw and remove the bar end from the Handle Bar.
2. Place the Easy Cruz in place of the OE bar end as shown in the figure below.



Sl.	DESCRIPTION	QTY.
1	Easy Cruz Body (PS ECZ 018)	1
2	Easy Cruz Knob (PS ECK 02)	1
3	Step Washer Large(PH TH-014-05)	1



The Easy Cruz is developed considering safe usability but it is the complete responsibility of the rider to be aware of the operation and purpose for which it is intended.



Please note that the grub screw shown in the picture should not be over tightened. Otherwise, it will lead to damage of the thread.

Note: Though the Easy Cruz retrofits are designed for DIY installation it is recommended you have them installed by a technician if you face difficulty.

No. 5C-501 George Court,
5th C Main Road, HRBR Layout 2nd Block,
Bengaluru-560043.
Karnataka, INDIA.
+919620484111



