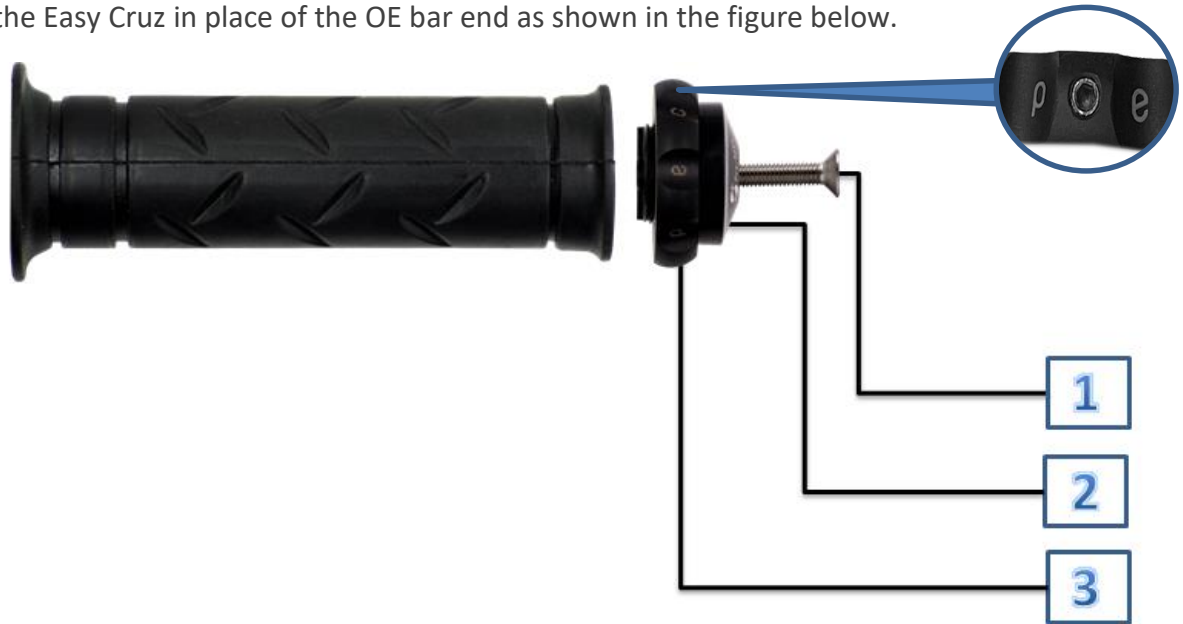


Thank you for choosing the Pro-Spec Easy Cruz for your ride. This version is designed for the Royal Enfield Interceptor. It is a direct replacement of the existing bar end. To engage Cruz mode, one needs to turn the knob inward (throttle opening direction). This action would apply a slight friction on the accelerator tube. Once set on Cruz mode one can continue to increase or decrease or completely shut down the accelerator as desired. To disengage the Cruz mode the knob to be turned outward (throttle closing direction).

Please follow the instruction carefully to ensure the desired benefit of the Easy Cruz.

1. Loosen the Allen head screw and remove the bar end from the Handle Bar.
2. Place the Easy Cruz in place of the OE bar end as shown in the figure below.



Sl.	DESCRIPTION	QTY.
1	06X35 Stainless Steel Allen Cap Screw (PS SSACSK 0635)	1
2	Easy Cruz Body (PS ECZ 008)	1
3	Easy Cruz Knob (PS ECK 01B)	1



The Easy Cruz is developed considering safe usability but it is the complete responsibility of the rider to be aware of the operation and purpose for which it is intended.



Please note that the grub screw shown in the picture should not be over tightened. Otherwise, it will lead to damage to the thread.

Note: Though the Easy Cruz retrofits are designed for DIY installation it is recommended you have them installed by a technician if you face difficulty.

No. 5C-501 George Court,
5th C Main Road, HRBR Layout 2nd Block,
Bengaluru-560043.
Karnataka, INDIA.
+919620484111



