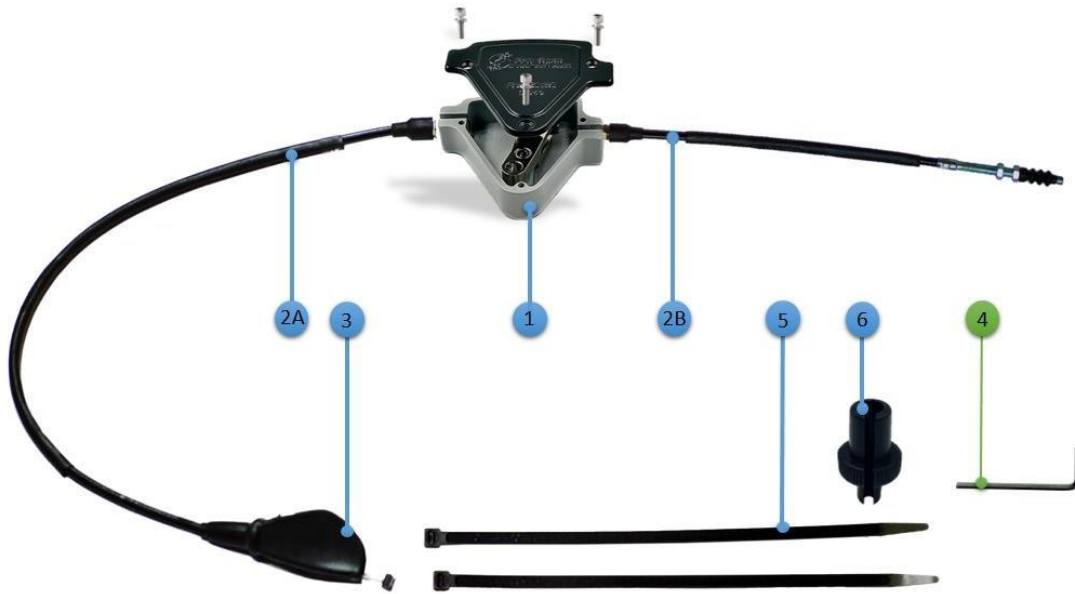


Thank you for choosing the Pro-Spec Easy Clutch Pro Plus for your ride. The Easy Clutch has been designed to reduce the load applied on the clutch lever while shifting gears. This makes riding more comfortable in traffic conditions.



Sl.	DESCRIPTION	Part Number	QTY.
1	B03 Aluminium Housing with Cover	PS EC 200-1	1 NO
	03x08 SS Allen Cap Screws	PS SSACS 0308	3 NOS
	Hardened Pin, Teflon Washer, Long Fulcrum, Bearing	PS EC BO 200-1/3/4/6	1 SET
	3mm Spring Washer	PS SS SW 03	3 NOS
2A/B	Easy Clutch Long Cable V5	PS CLC V5	1 SET
3	Dust boot for lever end	PS DB 01	1 NO
4	2.5 mm L Allen Key	PS HTAK 2.5	1 NO
5	Cable Tie	PS EC 200-7	2 NOS
6	Clutch Plug Adjuster	PS EC 200-2	1 NO

Please follow the instruction carefully to ensure the desired benefit of the Easy Clutch.

1. Remove the cable head from the clutch lever as shown in Fig-A by loosening the Lock nuts (1) at the Engine Yoke as shown in Fig – B. Remove the cable head from the engine yoke as well.
2. The Easy Clutch Pro Plus can now be installed by first inserting the 2B cable into the engine end in a reverse procedure of removal as shown in Fig-B. Ensure the lock nuts are made to give maximum slack for the cable.
3. Route the Easy Clutch cable following an unobstructed path to achieve smooth operation of the cable. Insert the 2A cable head into the lever by following the reverse process of Step 1 shown in Fig-A.

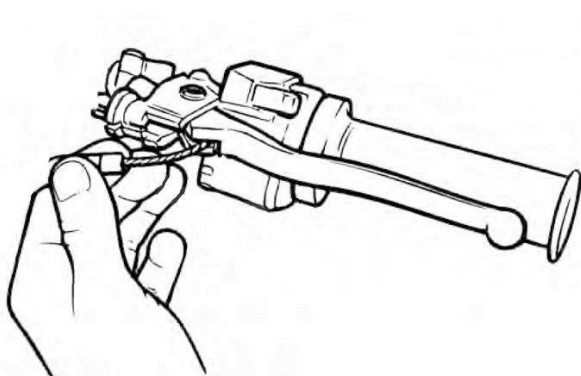


Fig – A

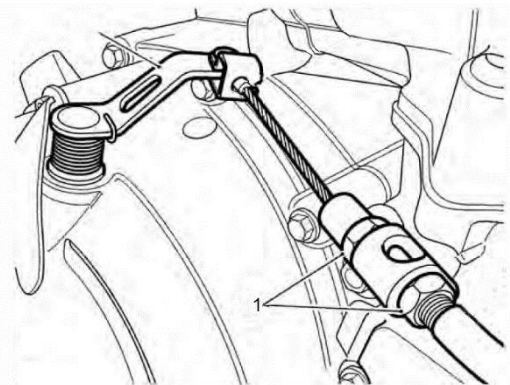


Fig – B

Adjust the clutch release point at around 50% of the clutch lever release.

- Should you find the release point below 40%, **THREAD OUT THE ADJUSTER** on the right or the left side of the Easy Clutch housing (Fig -C) until the release point is achieved.
- Should you find the release point beyond 60%, **THREAD IN THE ADJUSTER** on the right or the left side of the Easy Clutch housing (Fig - E) until the release point is achieved.

Should you need any further adjustment in both the above cases you can also adjust the cable at the engine end as shown in Fig - D or as per Fig - F, where "a" would bring the release point closer and "b" would take the release point away from the hand grip.

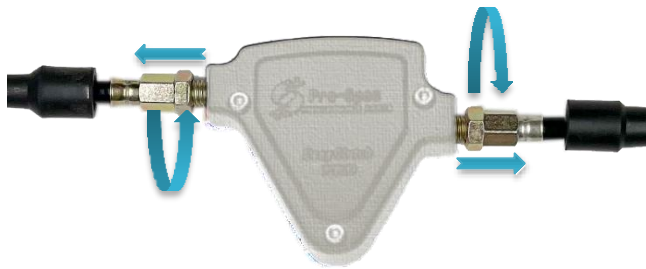


Fig - C

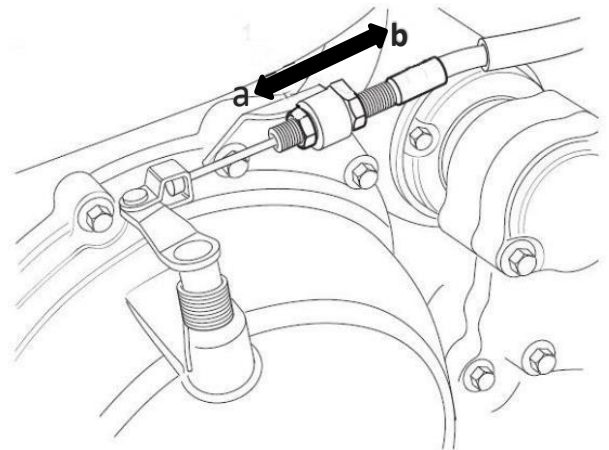


Fig - D

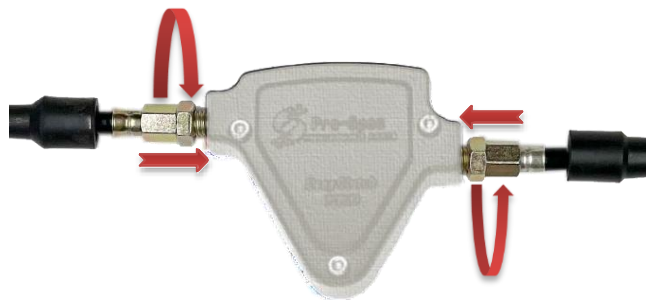


Fig - E

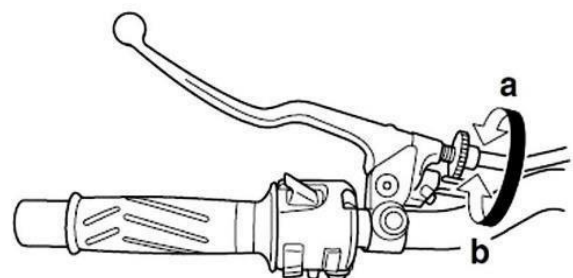


Fig - F



CAUTION

For best results and safety of the clutch plate **please follow the above adjustment guide strictly**. If the clutch lever has excessive free play, the clutch may not disengage fully. This will cause difficulty in changing gears and selecting neutral which would also relate to an early clutch release point much **below 40%**. Conversely, if the clutch lever has insufficient free play or a release point **beyond 60%**, the clutch may not engage fully, causing the clutch to slip, which will reduce performance and cause premature clutch wear.

Note: Lubricate the OE cable using WD 40 or alternate cable lubricant.

No. 5C-501 George Court,
5th C Main Road, HRBR Layout 2nd Block,
Bengaluru-560043.
Karnataka, INDIA.
+919620484111

