

SUPER PRO™

Dummy Launcher

Owner's Manual



IMPORTANT NOTICE

Please read this owner's manual in its entirety before operating this unit. Should you have any questions about our Launchers or their operation please contact our Customer Service department (contact information on back page of this manual).

TABLE OF CONTENTS

• Table of Contents	3
• Safety Warning!	4
• Introduction.....	5
• Quick Tips	6
• Package Contents	7
• Features	7
• Parts & Functions	8
• Loading Launcher	10
• Firing Launcher	11
• Unloading/Ejecting Power Load.....	12
• Troubleshooting.....	12
• Maintenance.....	13
• Warranty.....	14
• Legal Notice	15
• Contact Information	16

SAFETY WARNING!

***KEEP OUT OF REACH OF CHILDREN AT ALL TIMES!
THIS UNIT IS NOT A TOY!***

SAFETY TIPS AND PROCEDURES

This product can be extremely hazardous if not used properly. While it is not a firearm, the same caution and safety procedures should always be followed as if it were.

- Read this Owner's Manual in it's entirety.
- Follow all instructions and never modify the unit.
- Always use it for its intended purpose only.
- Always wear safety glasses and hearing protection when operating the launcher.
- Use only D.T. approved crimped .22 power loads.
- Never stand in front of the launcher or let people/dogs step in front of the firing path.
- Never point or fire the launcher at people or objects.
- Practice with the unit a few times to familiarize yourself with the operation.
- Always hold with a firm grip to prepare for recoil.
- Use in an open field with a clear flight path (dummy may strike overhanging obstructions).
- If launcher misfires, **DO NOT FIRE AGAIN**. Remove the power load and reload with a new one.
- Keep dog(s) under control when using the launcher.
- Always make sure you have a safe zone clearly established when firing the launcher.
- Always alert bystanders of the operation of the unit.
- Never carry/transport/store loaded launcher.

INTRODUCTION

Congratulations and thank you for purchasing our Super Pro™ Series Dummy Launcher. This Launcher is the most technologically advanced dummy launcher on the market today.

The D.T. Systems Super Pro™ Dummy Launcher is an excellent tool for teaching and reinforcing the hunting situation of tying together the sound of a bang with the marking of a bird in the sky. It is great for both long and short retrieves by simply adjusting the flight angle and the strength of the .22 caliber blank launching load. The launcher's solid aluminum frame construction means no lost training time from broken plastic components like other brands. Our launcher is easy to use, clean and maintain. Hunting Season is very short and repetition is very important in the training process. With this launcher you can train with your dog every day to make them the best that they can be.

D.T. Systems: Dog Tested, Dog Tough... Since 1983.

QUICK TIPS

Before You Go Out:

- Purchase and use only D.T. recommended GREEN and YELLOW power loads. RED power loads can be used but are not recommended as they will cause faster wear and tear on your unit and dummy.
- Be familiar with the operation of your dummy launcher and test your unit (see p.10-12).
- Make a checklist of needed items for your training session (launcher, dummy, protective eyewear, hearing protection, power loads, etc.).
- Make sure your dog is in proper condition for these training exercises.

At the Training Site:

- Find a large open area where the operation of your launcher will not be a disturbance to the public.
- Always wear protective hearing/eye gear during use.
- Make sure your dog is always under control when loading the launcher. Keep your dog away from the launcher, especially when loaded.
- Make sure your launcher is unloaded when training is complete.
- Take everything from your checklist with you when leaving the training site (including empty shells).

After Your Training Session:

- Again, make sure the launcher is unloaded.
- Follow all maintenance instructions (see p.13).

PACKAGE CONTENTS

All Super Pro Dummy Launcher units include:

- Super Pro Dummy Launcher
- Owner's Manual for Super Pro Dummy Launcher
- Earplugs
- Extra o-rings

Super Pro Dummy Launcher kits also includes:

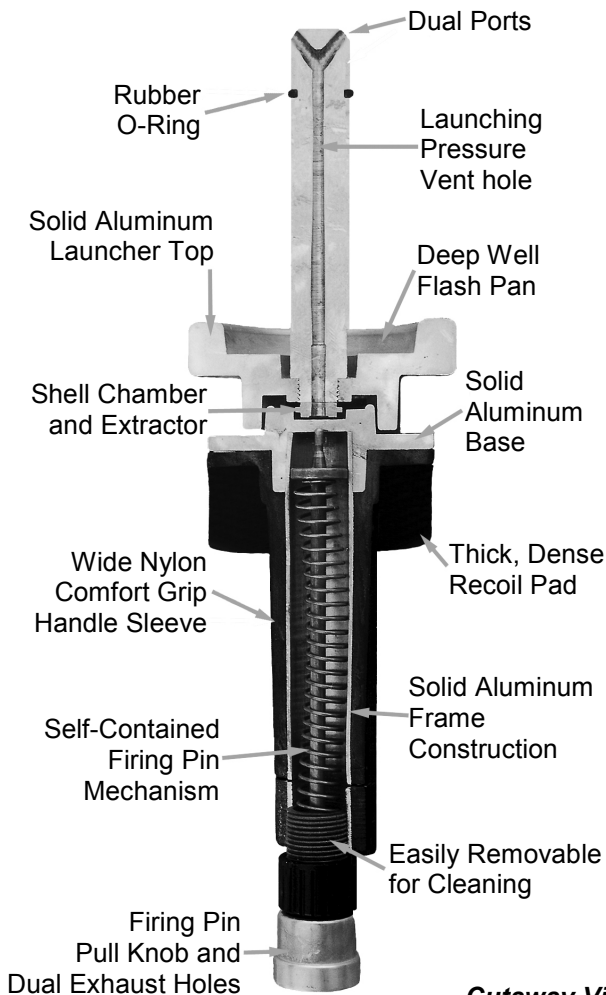
- Super Pro Launcher Dummy (colors vary)

NOTE - We recommend using D.T. Systems Launcher Dummies with this Super Pro™ Dummy Launcher.

FEATURES

- Convenient Built-In Shell Extractor Makes Extracting Shells Easy As 1-2-3
- Dual Ports For a Steadier, More Balanced and Farther Launch Every Time
- Self-Contained Firing Pin Mechanism for Easy Cleaning and Maintenance
- Dual Exhaust Holes For Greatly Reduced Recoil
- Cast Aluminum to Resist Rusting
- Rugged Solid Aluminum Frame Construction
- Extra Strong Aluminum Hinge System
- Durable Stainless Steel Launcher Barrel
- Full Grip Stainless Steel Locking Lever For Safety
- Thick, Dense, Shock-Absorbing Recoil Pad
- Wide Nylon Comfort Grip Handle Sleeve

PARTS & FUNCTIONS



Cutaway View

PARTS & FUNCTIONS

Dual Ports - Consistently provides steadier, more balanced and farther launch.

Rubber O-Ring - Creates a seal within the Dummy Tube to allow pressure buildup for launch.

Launching Pressure Vent Hole - Pressure from the fired power load builds through this hole and out the Dual Ports into the Dummy Tube.

Deep Well Flash Pan - Dummy rests on this area when inserted. Also provides protection from the exhausts when dummy is launched.

Shell Chamber - Chamber to insert blank power load.

Shell Extractor - Easily extracts a used power load from the chamber without the use of any other tools.

Wide Nylon Comfort Grip Handle Sleeve - Provides wide, comfortable grip for maximum control during launches.

Thick, Dense Recoil Pad - Keeping hand against this pad provides comfort and protection during recoil from launches.

Self-Contained Firing Pin Mechanism - Spring-loaded firing pin that strikes the power load for launch. Easily removable for convenient cleaning and maintenance.

Firing Pin Pull Knob - Pull and release to launch dummy.

Dual Exhaust Holes - Releases additional pressure from launch for greatly reduced recoil.

Locking Lever - Lever allows opening and lockdown of the dummy launcher for access to the power load.

LOADING LAUNCHER

WARNING - Review the Safety Warnings on p.4 and familiarize yourself with all Parts & Functions on p.8-9 before operating this launcher.

Never pull and release the Firing Pin Pull Knob with an empty Chamber. This is known as “Dry Firing” and can severely damage the Chamber/Firing Pin, making power load cartridge insertion and removal very difficult. Damage caused by Dry Firing is not covered under the warranty.

**Use only Crimped .22 Caliber Blank Power Loads.*
Green or Yellow levels recommended.***

Green = Light to Moderate Recoil (50-80 yard launch)

Yellow = Moderate to Firm Recoil (70-110 yard launch)

1. Lift up Locking Lever.
2. Open Launcher.
3. Insert desired blank power load cartridge into Shell Chamber.
4. Close Launcher.
5. Return Locking Lever to original closed position.
6. Slide Launcher Dummy onto launcher.
7. Rotate Launcher so that the slot in the Recoil Pad and the Locking Lever are facing away from you.
8. Do not handle the Firing Pin Pull Knob until you are ready to fire the launcher.

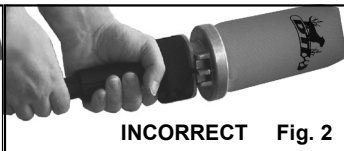
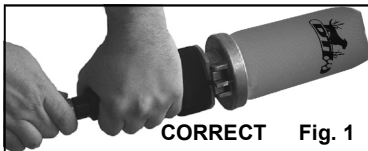


***CAUTION** - Do not use wadded power loads as the wad material could clog the launcher. Red power loads can be used, but are not recommended as they will cause accelerated wear and tear on the launcher and the dummy.

FIRING LAUNCHER

WARNING - Review the Safety Warnings on p.4 and familiarize yourself with all Parts & Functions on p.8-9 before operating this launcher.

1. Grasp Launcher firmly in one hand. Always place the heel of your hand against the Recoil Pad (Fig.1) to avoid injury caused by the recoil. **Never place your thumb against the Recoil Pad (Fig.2).**



2. Point Launcher in the direction you wish to send the dummy (different power load levels and different angles will produce varied ranges of dummy launch).

3. Hold Launcher away from body.

4. Pull Firing Pin Pull Knob with your free hand all the way back and release.



5. If blank power load cartridge does not fire or misfires remove it and replace with a new cartridge. **Never re-use misfired power loads.**

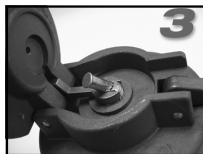
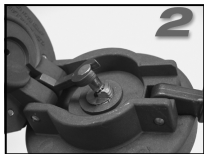
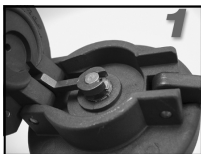
NOTE - The Firing Pin is designed to hit toward the edge of the power load (rim-fire), not the center.

UNLOADING/EJECTING POWER LOAD

WARNING - Review the Safety Warnings on p.4 and familiarize yourself with all Parts & Functions on p.8-9 before operating this launcher.

Ejecting Used/Misfired Power Load

1. After launch (or misfire), lift Locking Lever and open Dummy Launcher.
2. Continue opening past normal stopping point.
3. Release and allow Launcher to go back normal stopping point, and remove Power Load.



NOTE - Clean the Launcher between each use with a .22 cal. cleaning brush and gun solvent.

TROUBLESHOOTING

- If you are consistently getting misfires, try a new box of power loads. Also, make sure you are pulling the Firing Pin Pull Knob as far back as you can. Check to make sure the Firing Pin is hitting the rim of the power load.
- If the power load sounds like a dud and the dummy only launches a few feet, make sure the inside of the dummy tube is clean and dry (especially when launching into water). You can also try replacing the o-ring.

MAINTENANCE

Properly cleaning and maintaining your Super Pro™ Dummy Launcher is essential to keeping it in good working order, and is required for Warranty compliance. ***Make sure the launcher is not loaded while performing maintenance.***

- After each use, clean the chamber with a .22 Cal. Stainless Steel cleaning brush and gun solvent (if this is not done powder residue will build up which will make insertion and removal of blank cartridges very difficult).
- Wipe down entire Launcher thoroughly after each use.
- Remove the Firing Pin Mechanism by unscrewing from the Launcher.



- Clean and lightly oil the Firing Pin Mechanism, Shell Extractor, and the Hinge to keep the Launcher in good working order. **Never use oil on the main body.**
- Keep metal tubes in Dummies free from dirt, water, snow etc. Dirty tubes will severely affect the range of the Dummy. Dummy tubes can be cleaned with a 12 gauge cleaning brush.

WARNING - Do not leave a power load in the Shell Chamber or the Dummy on the Launcher when not in use.

WARRANTY

All **Super Pro™ Dummy Launcher** units have a one year parts and labor warranty effective from the original date of purchase. A copy of the original sales receipt is required to validate the date of purchase for any warranty repairs.

This warranty covers all repair costs for any manufacturer's defects or defects that occur during normal use and maintenance. It also covers regular return shipping back to the customer to the continental United States.

This warranty **DOES NOT** cover any damage caused by misuse/abuse/negligence, shipping costs to our facilities, expedited or international shipping costs, lost parts, or any repairs after the first year of ownership.

Super Pro™ Dummy Launcher units have been made with State of the Art equipment. Any repairs or fine adjustment should be performed only by D.T. Systems.

NOTE - The D.T. Systems Launcher Dummy used with the Super Pro™ Dummy Launcher is not a chew toy for your dog. It is intended for the purpose of training your dog how to retrieve and should not be left with your dog unsupervised. Do not allow your dog to chew on this dummy as it will not be covered by the warranty.

LEGAL NOTICE

Proper Use and Maintenance of the Super Pro™ Dummy Launcher is the responsibility of the Buyer. D.T. Systems, Inc. and its representatives are in NO WAY liable for injuries/damages resulting from improper use. Buyer/User of said devices agrees to hold D.T. Systems and its representatives harmless from and indemnify them from any and all claims, damages, demands, penalties, suits or causes of actions whatsoever brought by any person or entity as a result of the use or ownership of the Super Pro™ Dummy Launcher.



D.T. Systems, Inc.
2872 Walnut Hill Lane
Dallas, Texas 75229
(214) 350-9446
(888) 588-8364
Fax: (214) 350-7847
www.dtsystems.com
customerservice@dtsystems.com