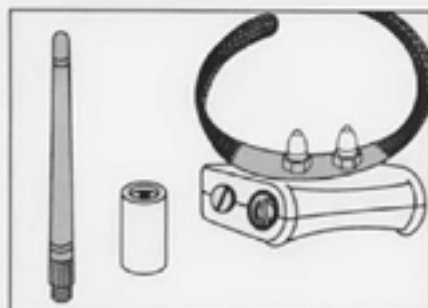


DOG RADARTRON™

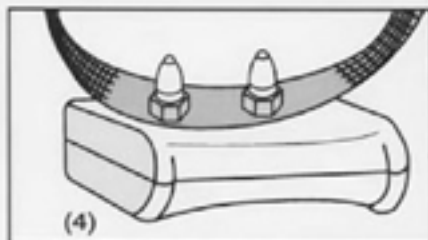
MODEL 500DT
INSTRUCTION MANUAL



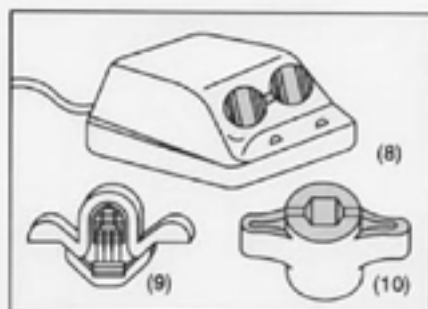
D D.T. SYSTEMS, INC.



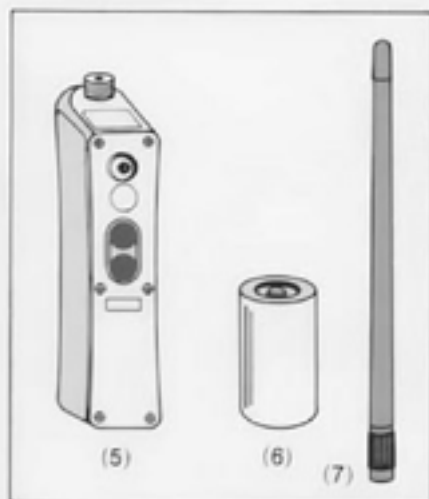
- (1) Active collar unit
- (2) Replaceable battery pack on active collar unit.
- (3) Flexible Ant.



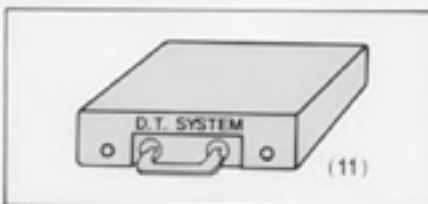
(4) Dummy Collar.



- (8) Battery Charger
- (9) Test light
- (10) Tool



- (5) Transmitter
- (6) Replaceable battery pack on transmitter.
- (7) Flexible Ant.



(11) Carrying Case.

PROFESSIONAL FEATURES

- * 200 Different codes
- * "Safety System" contained in Active Collar unit
- * Simple operation and ready to use
- * Water proof active collar unit
- * Rechargeable battery cell
- * Flexible antennas
- * Replaceable battery packs on active collar unit and transmitter unit
- * Six different levels of intensity
- * Rugged construction on transmitter
- * Instant response

CORRECT UNSAFE AND UNDESIRED BEHAVIOR

- * Attacking * Barking * Digging * Chasing cars * Chasing unwanted animals
- * Chewing furniture, shoe, etc.

TEACH GOOD HABITS

- * Obedience * Self-confidence * Hunting

TRAINING IS CARING

Training is for the animal's welfare. Consistent and humane punishment teaches the animals what is safe and what is not safe to do. Discomfort brought about by undesired behavior is a natural process of learning. Stimulation of the 500DT causes discomfort without physical harm. The discomfort is consistent and safe. This method of training motivates positive, desired behavior.

TESTING UNITS

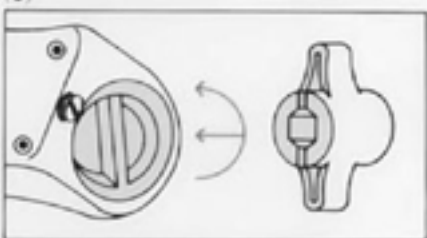
Unit can be tested without putting it on Dog.

(1)



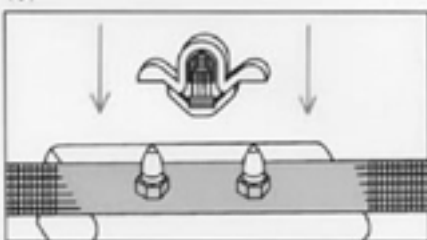
- 1) Screw in the flexible antenna.
Insert the battery pack into the transmitter unit.

(3)



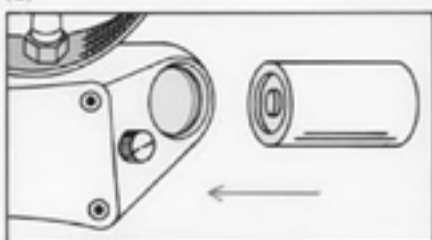
- 3) The first step is to tighten end cap by hand.
Then complete tightening with tool.

(5)



- 5) Insert the test light on the side of active collar unit.

(2)



- 2) Insert the battery pack into active collar unit.

(4)



- 4) Do not force turn on.
Then on switch should not turn more than half circle (180 degrees).

(6)



- 6) Press the button on the transmitter unit and light should activate.

If the test light comes on, the unit is working properly. The higher the intensity level chosen, the brighter the light is. To check for distance, walk away from the active collar unit stopping occasionally to push the button on the transmitter unit to see if the test light still comes on.

Long or thick haired dogs may need to have their necks brushed to remove excess hair, or shave where the electrodes contact the skin. Both electrodes must contact the skin at the same time or the unit will not work, even if the test light works.

DUMMY COLLAR UNIT



Your dog should become accustomed to the training collar before training starts. We recommend that you put on a dummy collar unit a few days before starting the training program.

MAXIMUM WAVE RANGE



Maximum range can be achieved when transmitter unit is held straight up towards the sky.

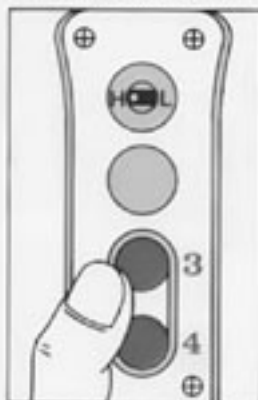
SAFETY-OFF



To test the "safety off" feature, constantly depress the button on the transmitter unit. Then the test light will come on for six seconds and automatically turn off.

SIX DIFFERENT INTENSITY LEVELS

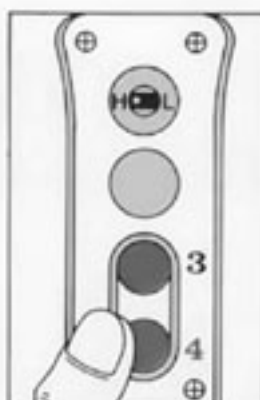
When the Master Intensity Switch is on high:



#6 Intensity - highest
(push both #3 and #4 switch
at the same time)

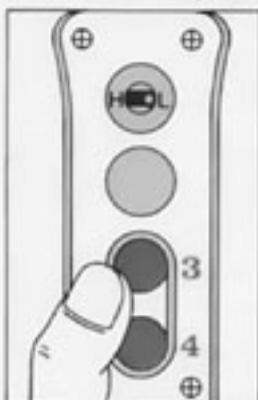


#5 Intensity - higher



#4 Intensity - high

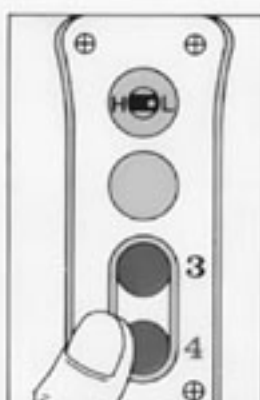
When the Intensity Switch is on low:



#3 Intensity - low
(push both #3 and #4 switch
at the same time)



#2 Intensity - lower



#1 Intensity - lowest

* Level #1 has the lowest intensity and level #6 has the highest intensity.

* The transmitter button and Master Intensity Switch allow you to select from six different levels of intensity during the training period, depending on the sensitivity of your dog.

* When the training program begins, it is advised to start with the lowest intensity level.

RECHARGING BATTERIES



Plug in the charger code. Then, insert two battery packs and press them down firmly for better contact. When the LED light comes on, charging has begun. Ordinary household voltage(115V) is required to recharge the Nickel Cadmium batteries of the transmitter unit and active collar unit. They should be charged at room temperature to ensure the maximum charge. Both unit batteries may be charged

simultaneously, but is not necessary.

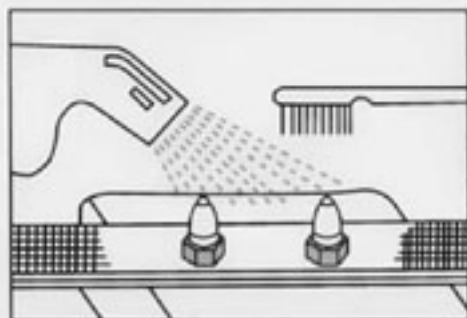
The battery in the transmitter unit does not require charging more than once or twice a week. The battery in active collar unit, should be charged daily with heavy usage.

It might cause serious damage to battery cell if the charger is left plugged into the battery unit over 96 hours. For long-term storage, it is necessary to charge both batteries for at least 10 hours once each month and to store them at room temperature.

Batteries of both units have been partially charged prior to shipment. It is necessary, however, to recharge them 15-20 hours before initial use.

If a low battery capacity condition does develop, it can be restored by leaving the on/off switch on for eight hours and then fully recharging it. This process may need to be repeated several times in severe cases to restore maximum capacity.

MAINTENANCE



It is very important to periodically wash the active collar unit with clean water. When washing, be careful not to let water go inside. After washing, dry the active collar unit. This will keep the life of the active collar unit long and prevent the unit from a fault function.

Battery packs are suggested to be taken off from the transmitter & active collar units when not use.

Regardless of careful quality control of the products, there is always a possibility that the dog may receive unintentional electronic stimulation (possibilities are extremely low). Therefore, you are advised to use the unit in a supervised environment.

The active collar unit is water-proof, but the transmitter unit is not, Moisture will damage the electronics and void the warranty.

WARNING

1. Sometimes normal wear of the collar will cause an irritation on a dog's neck because of repeated friction of electrodes on the skin. For this reason, the dog's neck should be let to rest for at least half of the 24 hour-day period by removing the collar. Close inspection of the dog's neck should be made daily. if dog's neck shows signs of irritation, the collar should be removed until the neck returns to normal.

2. EQUIPMENT SERVICE/MAINTENANCE

A violation of FCC rules might occur if any internal adjustment to this transmitter is made by a person not specifically certified to perform transmitter maintenance and repair duties. Certification is given only by the FCC private land Mobile and Fixed services, or by a committee of representatives of our user services.

3. PARTS REPLACEMENT

Replacement of any transmitter component (crystal, semiconductor, etc.) could result in the violation of FCC rules.

4. R/C transmitters are not given any protection from interference caused by the operation of industrial, scientific, or medical devices. Such stations also operate on a shared basis with other stations in the Personal Radio Services.

CAUTION

Any changes or modifications in construction of this device which are not Specifically approved by the party responsible for compliance could void the user's authority to operate the equipment.

SPECIFICATIONS

TRANSMITTER SECTION

- | | |
|-------------------------------|---|
| • Frequency | 26 ~ 27MHz R/C Band |
| • Power Output | 0.9 watt Max (At 11.6V DC) |
| • Spurious Response Rejection | All harmonic and spurious suppression greater than F.C.C. requirements. |
| • Modulation | FM |
| • Deviation | 2KHz typical |
| • Multiplier | Triplier |

RECEIVER SECTION

- Circuit type Single conversion superheterodyne with RF stage and 455KHz ceramic filter.
- Frequency 26 ~ 27MHz R/C Band
- IF Frequency 455KHz
- Sensitivity 0.5 μ V
- Image Rejection 20dB min.
- Power source 9.6V Ni-Cd Battery

LIMITED WARRANTY

D.T. SYSTEMS, INC. warrants the owner of this new 500DT Dog Radartron™ that the unit is free from defects in materials and workmanship. If within one year of the date of purchase it proves to be defective, return the unit to D.T. SYSTEMS, INC., 2872 Walnut Hill Lane, Dallas, TX 75229 for repair at no charge. Please include receipt of purchase or proof of purchase date. For your protection, when mailing packages, please use insured Parcel Post or United Parcel Service. The one year warranty excludes batteries after one month from date of purchase.

We cannot validate your warranty without the proof of purchase date.

Important: The warranty does not cover damages resulting from accidents, misuse, abuse, or lack of reasonable care. Use of factory unauthorized replacement parts will void this warranty. Worn-out parts or wear/tear parts are not covered by the warranty.

D.T. SYSTEMS, INC.

**2872 Walnut Hill Lane
Dallas TX 75229**

Tel: (214) 350-9446

Fax: (214) 350-7847

www.dtsystems.com

customerservice@dtsystems.com