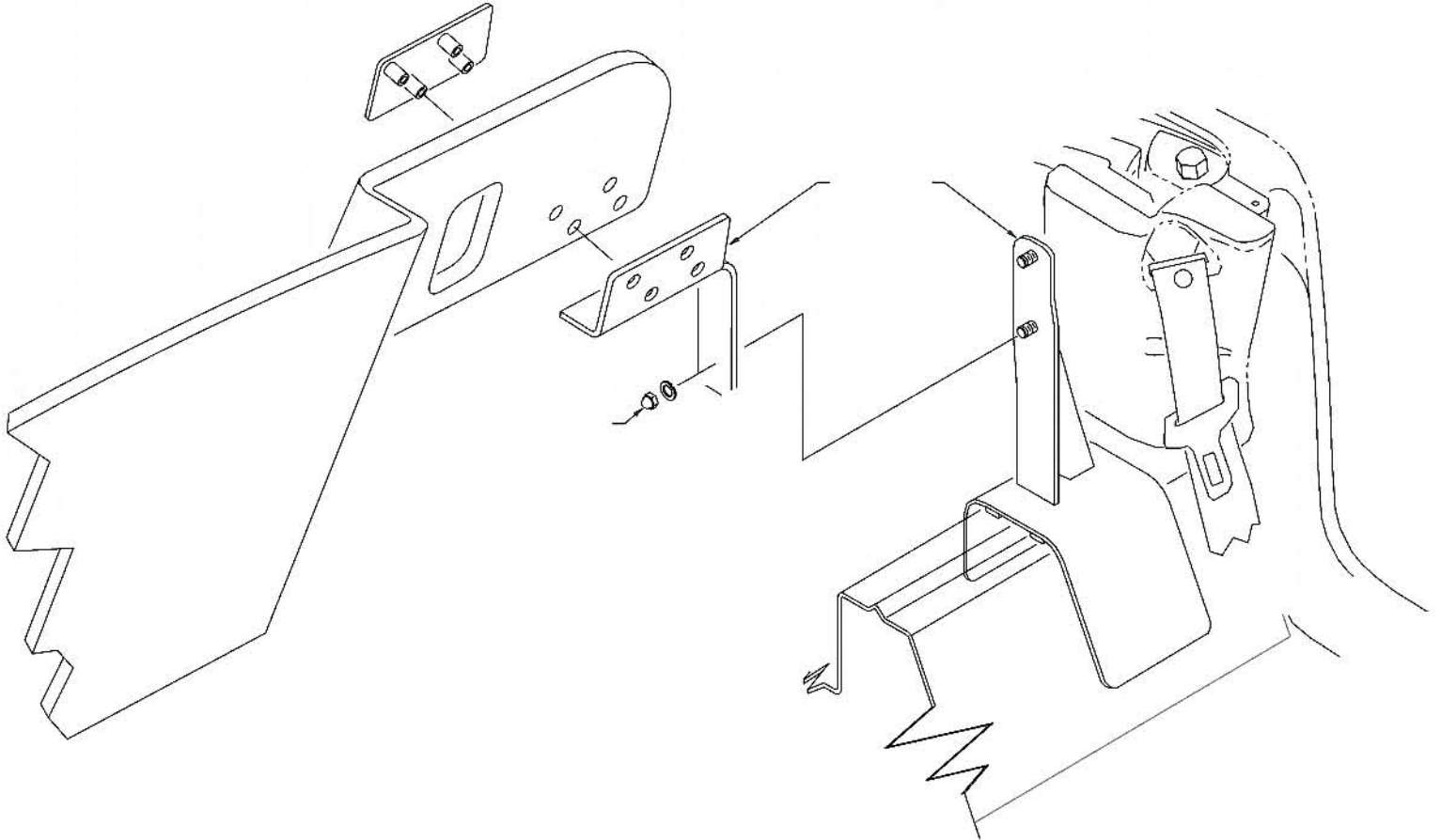


## Corvette C5 Windrestrictor®

Installation does require light mechanical skills. The wind restrictor will come pre-assembled with arm brackets attached. The lower-retainment brackets are mounted under the carpet to the block out panel. These black steel, power-coated brackets are mounted with 3M VHB tape and a full bond is reached within just a couple of hours. This VHB system is a comparable replacement for mechanical fasteners and spot welding. This system is extremely rigid with no movement at all. The arm brackets are mounted to the steel retainment brackets using black Acorn Nuts provided in the box. All that is needed is a wrench to perform this installation. A complete installation guide will come with every order as well as a step by step video following our technician through a complete install.



Here is a close up photo of the steel, powder coated bracket system. We offer a lifetime warranty on all parts of our patent pending product.

