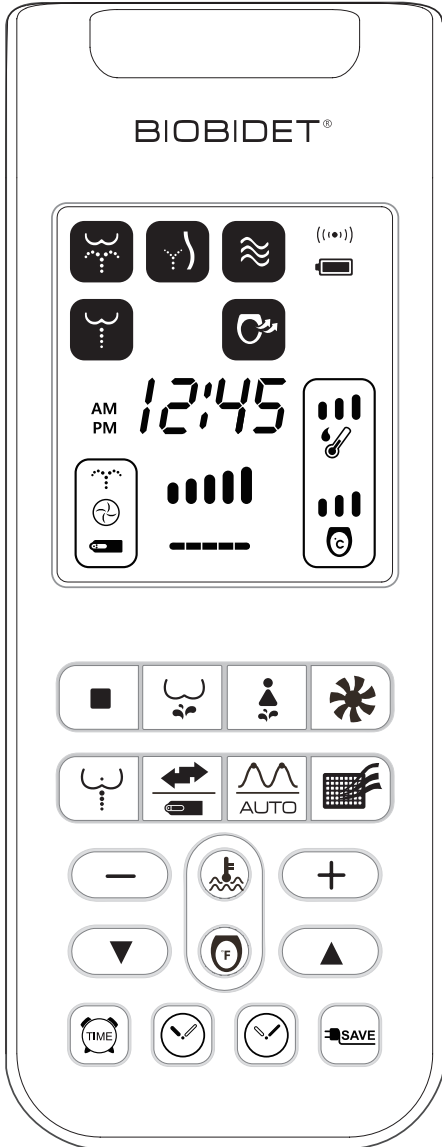


# REMOTE



**bioBidet®**  
by **BEMIS**

Questions?  
Contact our support team!

847.458.2334  
support@biobidet.com  
www.biobidet.com



## STOP

Stops all operations



## REAR WASH

Activates a rear wash



## FRONT WASH

Activates a front wash



## WARM AIR DRYER

Activates the warm air dryer



## VORTEX WASH

Activates a focused wash with higher water pressure



## NOZZLE OSCILLATION

Press during a wash cycle to move the nozzle back and forth for a wider cleaning experience



## MASSAGE

Press during a wash cycle to activate a pulsating spray pattern



## DEODORIZER

Automatically activates when seated to reduce odors (Press to toggle on/off)



## ADJUSTABLE WATER TEMP.

Adjust the water temperature (Off, Low, Med, High)



## ADJUSTABLE SEAT TEMP.

Adjust the seat temperature (Off, Low, Med, High)



## ADJUSTABLE NOZZLE POSITION

Adjust the nozzle position forward or backward



## ADJUSTABLE WATER PRESSURE

Adjust the the water pressure to your liking



## CLOCK

Sets the time with corresponding hour/minute buttons



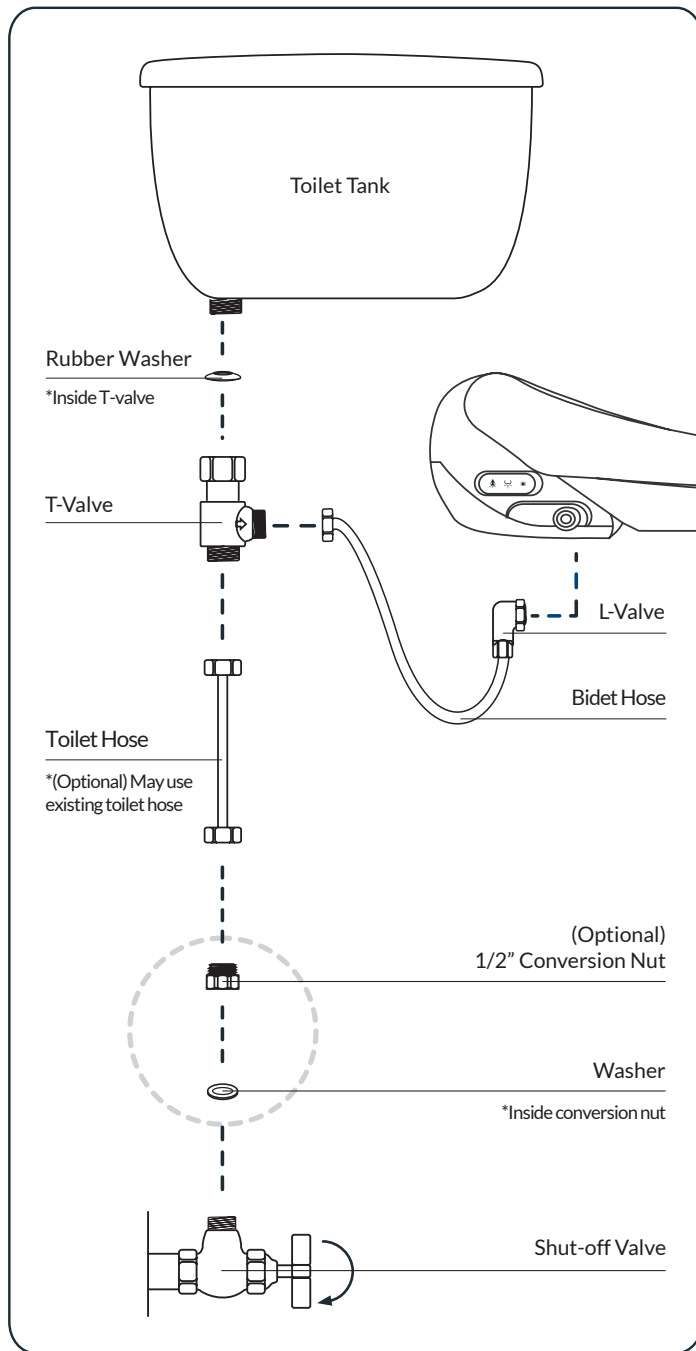
## ENERGY SAVING MODE

Toggles energy saving features on/off

## REMINDER

The seat sensor must be occupied in order to operate bidet functions

# QUICK GUIDE



Installation and  
Registration Resources

## 1. Turn Off Water

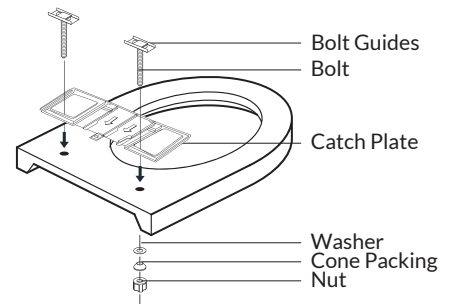
Turn off the water shut-off valve. Drain the toilet tank completely by flushing the toilet. Unscrew the hose connected to the toilet tank.

## 2. Remove Toilet Seat

Remove mounting bolts to release existing the toilet seat from the toilet.

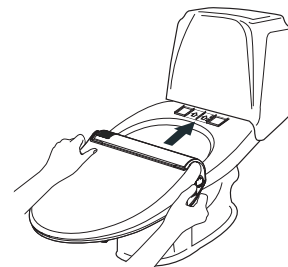
## 3. Install Catch Plate

Place the catch plate and bolt guides over the mounting holes. Insert the mounting bolts through the guides, catch plate, and mounting holes. Slide the cone packing and washers onto the bolts and fasten to secure the catch plate on the toilet.



## 4. Attaching the BB-2000

Slide the bidet seat all the way onto the catch plate until you hear a click.



## 5. Connect the Water Hoses

Install the t-valve on to the toilet tank. Ensure the rubber gasket is properly seated inside the t-valve.

Connect the provided toilet hose to the water shut-off valve and t-valve. You may also use your existing toilet hose.

Connect the bidet hose to the bidet seat and l-valve. Open the water shut-off valve. Check for any leaking or dripping. Use a wrench to tighten any loose parts.

Plug the power cord into a 120V power outlet.