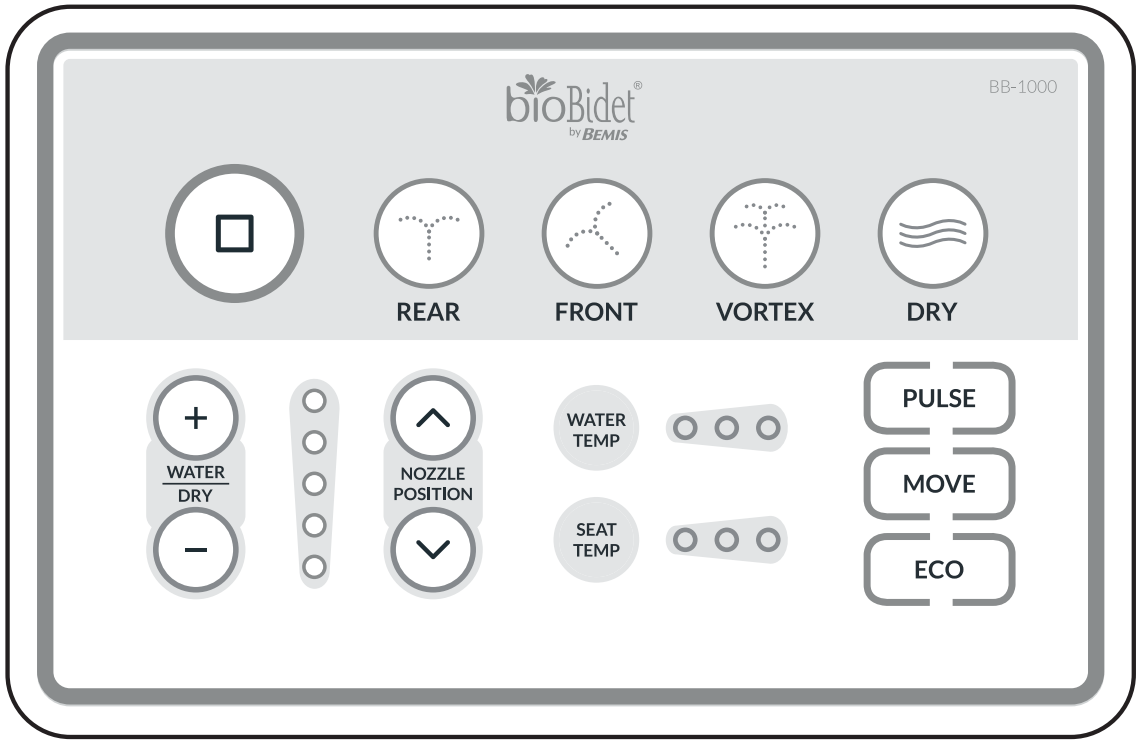


REMOTE



STOP

Stops all operations



REAR WASH

Activates a rear wash



FRONT WASH

Activates a front wash



VORTEX WASH

Activates a focused wash with higher water pressure



WARM AIR DRYER

Activates the warm air dryer



ADJUSTABLE WATER PRESSURE

Adjust the the water pressure to your liking



ADJUSTABLE NOZZLE POSITION

Adjust the nozzle position forward or backward



ADJUSTABLE WATER TEMPERATURE

Adjust the water temperature (Off, Low, Med, High)



ADJUSTABLE SEAT TEMPERATURE

Adjust the seat temperature (Off, Low, Med, High)



PULSE

Press during a wash cycle to activate a pulsating spray pattern



MOVE

Press during a wash cycle to move the nozzle back and forth for a wider cleaning experience



ECO MODE

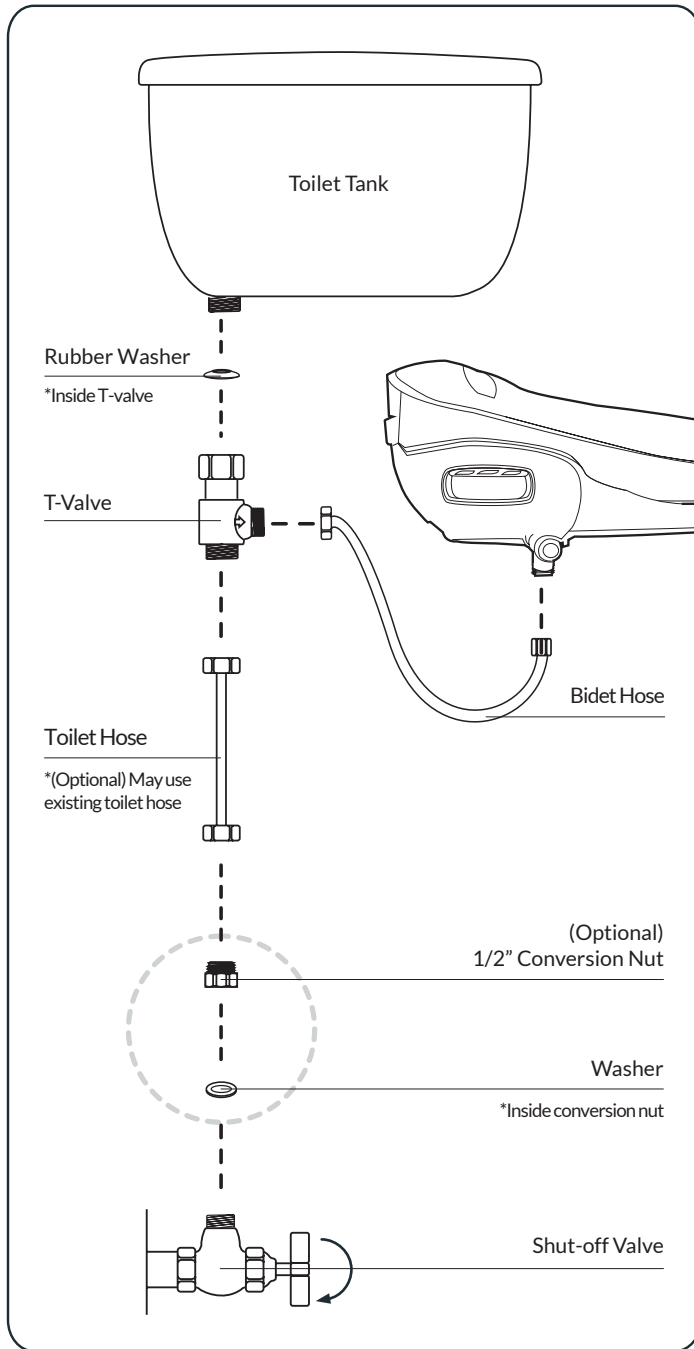
Toggles energy saving features on/off



REMINDER

The seat sensor must be occupied in order to operate bidet functions

QUICK GUIDE



1. Turn Off Water

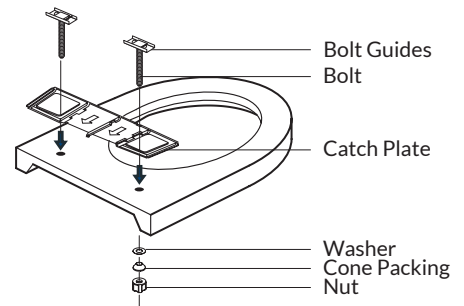
Turn off the water shut-off valve. Drain the toilet tank completely by flushing the toilet. Unscrew the hose connected to the toilet tank.

2. Remove Toilet Seat

Remove mounting bolts to release existing the toilet seat from the toilet.

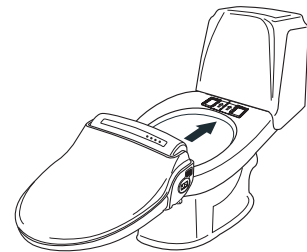
3. Install Catch Plate

Place the catch plate and bolt guides over the mounting holes. Insert the mounting bolts through the guides, catch plate, and mounting holes. Slide the cone packing and washers onto the bolts and fasten to secure the catch plate on the toilet.



4. Attaching the BB-1000

Slide the bidet seat all the way onto the catch plate until you hear a click.



5. Connect the Water Hose

Install the t-valve on to the toilet tank. Ensure the rubber gasket is properly seated inside the t-valve.

Connect the provided toilet hose to the water shut-off valve and t-valve. You may also use your existing toilet hose.

Connect the bidet hose to the bidet seat and t-valve. Open the water shut-off valve. Check for any leaking or dripping. Use a wrench to tighten any loose connections.

Plug the power cord into a 120V power outlet.



Questions?
Contact our support team!

847.458.2334
support@biobidet.com
www.biobidet.com



Installation and
Registration Resources