

BB-1000 SUPREME

USER MANUAL

bioBidet®
by BEMIS





Questions?
We're here to help.

847.458.2334
support@biobidet.com
www.biobidet.com

Technical support and alternate
fittings are available.

04 **PRODUCT INFORMATION**

Important Safeguards
Overview & Parts
Wireless Remote

09 **GETTING STARTED**

Functions & Features

12 **INSTALLATION**

Installation Guide

16 **MAINTENANCE**

Cleaning Tips
Replacing The Deodorizer
Removing The BB-1000
Draining The Warm Water Tank
Troubleshooting Guide
Specifications

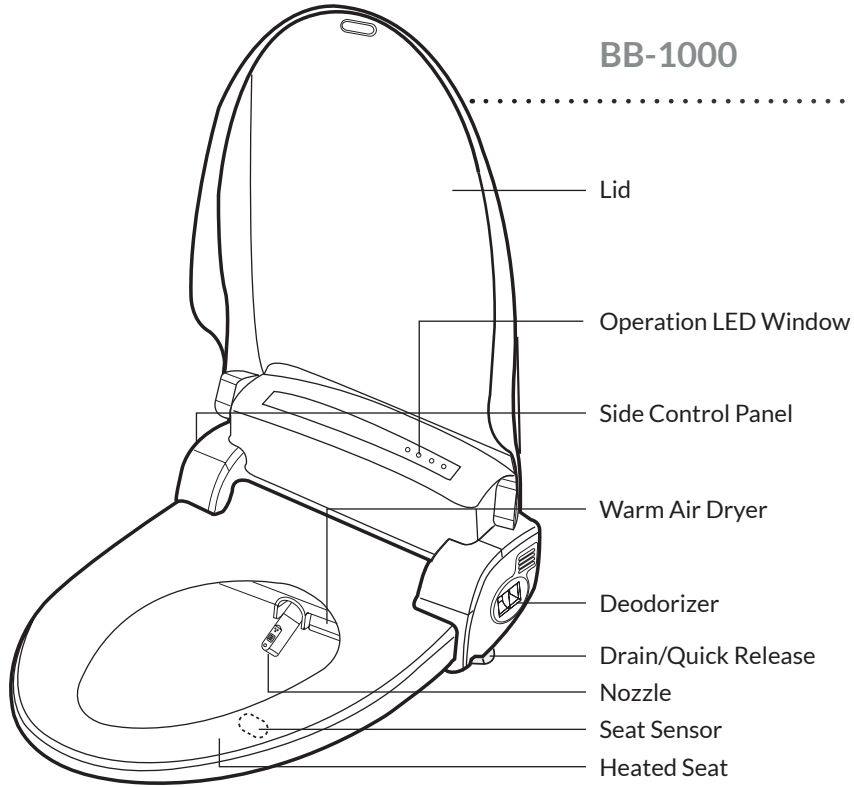
22 **WARRANTY**

Warranty
Customer Support

PLEASE OBSERVE THE FOLLOWING PRECAUTIONS AND INSTRUCTIONS BEFORE INSTALLATION AND USE.

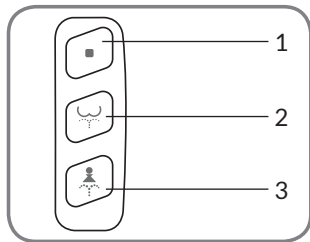
- This product must be connected to a grounded 120V GFCI (Ground Fault Circuit Interrupt) outlet. Do not connect the power cord if it is damaged or broken. Do not plug the product into a loose electric outlet.
 - It is recommended to operate this product on a separate circuit. Sharing a circuit could cause the breaker to trip or lights to flicker.
 - If it is necessary to use an extension cord, use only a three-prong extension cord plugged into a proper GFCI outlet. The marked rating of the extension cord should be equal to or greater than the electrical rating of the unit (10 amp). Consult a qualified electrician or service person if you are not sure whether the unit is properly grounded.
- Do not open this product for repair without authorization from the manufacturer. Only qualified service personnel should service this product. Do not use accessories not recommended by the manufacturer.
- Connect this product to a potable cold water supply line.
- Close supervision is necessary when this product is used by children, elderly, or adults with sensitive skin. A low temperature burn may occur when the skin has been in contact with an object at relatively low temperature for an extended period of time.
- If using any chemical toilet bowl cleaner, be sure to wipe up any spills that splash onto the bidet. Do not use benzene or any acid chemical detergent, as they can cause discoloration. Only neutral detergents are permitted.
- Do not plug in the power cord before connecting the water supply hose.
- Install in an area with adequate ventilation to avoid high levels of humidity which can damage the electronic components.
- Do not touch the power cord with wet hands or reach for a product that has fallen into water. Unplug immediately.
- Unplug the bidet seat when cleaning or detaching from the toilet bowl. Do not plug in until plumbing work has been completed.
- Keep the power cord away from heated surfaces to prevent a fire hazard. Keep any flammable materials away from this product at all times.

Water Does It Better®



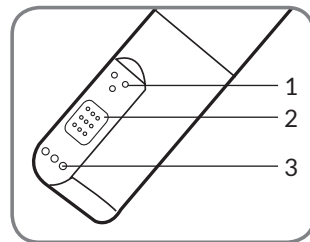
BB-1000

Side Control Panel



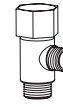
- 1. Stop Button
- 2. Posterior Wash
- 3. Feminine Wash

3-In-1 Nozzle



- 1. Posterior Wash
- 2. Feminine Wash
- 3. Vortex Wash

BB-1000 Parts List



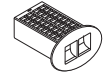
T-Valve
*Rubber washer inside



(2) Nuts



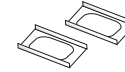
1/2 Conversion Nut
*Rubber washer inside



Deodorizer
*installed in unit



(2) Cone Packings



(2) Bolt Guides



(2) Mounting Bolts



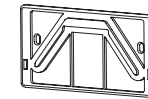
Catch Plate



Bidet & Toilet Hoses



Remote Control



Remote Control Holder



(2) AAA Batteries

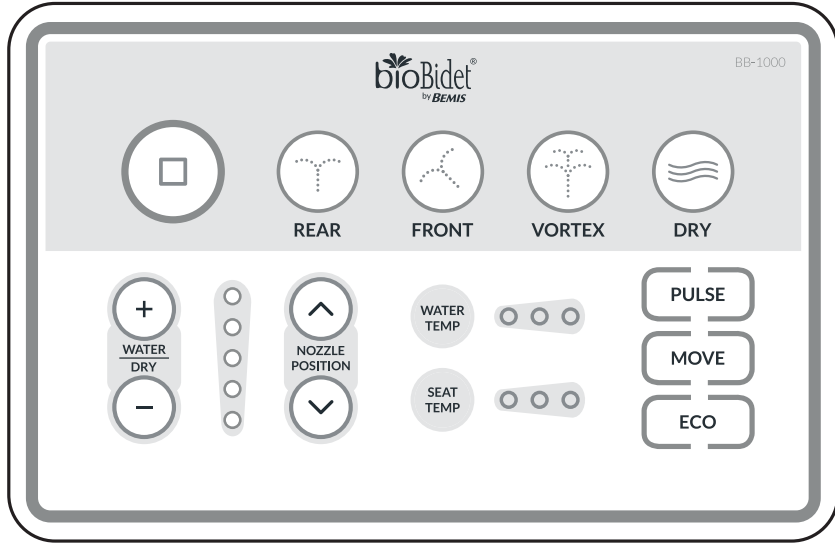
Recommended Installation Tools








Wrench



Phillips Screwdriver



-  Stop Button
-  Rear Wash
-  Front Wash
-  Vortex Wash
-  Warm Air Dryer
-  Adjustable Water Pressure
-  Adjustable Nozzle Position






-  Adjustable Water Temperature
-  Adjustable Seat Temperature
-  Massage
-  Move
-  Eco Mode

Functions & Features

Sit Down On The Seat

This product includes a built-in seat sensor that must be activated with skin contact in order to operate bidet functions.

When you sit down on the seat and activate the seat sensor, the corresponding LED will light up on the main unit and the deodorizer fan will start.

-  **Stop Button**
Stops all operations.
-  **Rear Wash**
Press to activate the posterior wash cycle, carefully crafted with the optimum cleansing angle and spray pattern.
-  **Front Wash**
Press to activate the feminine wash cycle, which offers an alternate accommodating spray pattern.
-  **Vortex Wash**
Press to activate a focused wash with higher water pressure.
-  **Warm Air Dryer**
Press to activate the warm air dryer. The dryer will automatically operate for 3 minutes. Press the “High” or “Low” (+, -) buttons to adjust the dryer temperature.



Adjustable Water Pressure

Press "High" or "Low" (+, -) to adjust the pressure of the water spray to your desired comfort level.

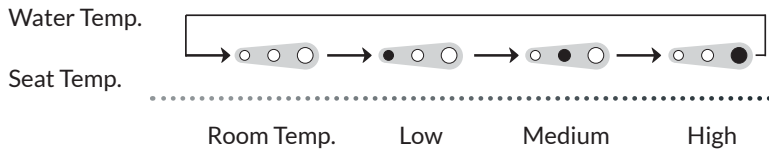


Adjustable Nozzle Position

Adjust the nozzle position forward or backward to achieve maximum cleanliness and comfort by pressing the "Front" or "Rear" (^, v) buttons.

Adjustable Seat & Water Temperature

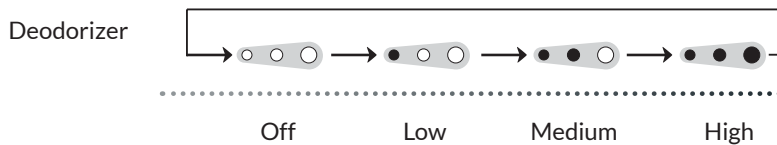
Adjust the water and seat temperature by pressing the corresponding button to cycle through preset temperature levels.



Deodorizer

Press the "Stop" and "Water" button to adjust the deodorizer up to 4 levels of intensity. When turned on, the deodorizer will automatically activate when seated to reduce odors, and remains active for 1 minute after standing up.

- Single short beep - Deodorizer **enabled**
- Double short beep - Deodorizer **disabled**



Nozzle Oscillation

Press "Move" during a wash cycle to move the nozzle back and forth for a wider cleaning experience. Change the nozzle position by pressing the "Front" or "Rear" (^, v) buttons. This will not work during Turbo wash.

Automatic Oscillation Feature - You can set this function to automatically oscillate. Sit on this product and press the "Move" button for 3 seconds until you hear a chime. Proceed with Posterior or Feminine Wash. To cancel, press the button again for 3 seconds.



Pulse

Press "Pulse" during a wash cycle to activate a pulsating spray pattern. Change the water pressure with the "High" or "Low" (+, -) buttons.

Automatic Massage Feature - You can set this function to automatically pulsate whenever the seat is occupied and the Posterior or Feminine washes are in operation. Press the "Massage" button for 3 seconds until you hear a chime. Proceed with Posterior or Feminine Wash. To cancel, press the button again for 3 seconds.



Eco Mode

Press "Eco Mode" to toggle between energy saving features. Press once to activate Eco 1. This keeps the warm water temperature at 90°F. Press again for Eco 2 (Smart Mode). This lowers the water temperature when not in use. Press again to turnoff.

Nozzle Cleaning

Automatic - This product has an automatic nozzle self-cleaning function that cleans the nozzle before and after each use.

Manual - Press the "Posterior" button on the side panel without occupying the seat. The nozzle will fully extend without spraying. Gently clean the nozzle with a soft cloth or toothbrush. Press the "Stop" button to retract the nozzle when you are finished.

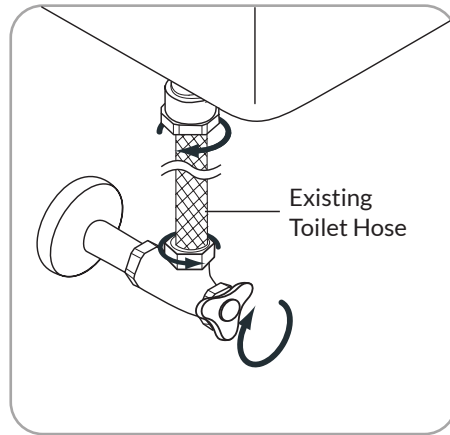
BEFORE INSTALLATION

Do not plug the power cord in until installation is complete.

Please contact our service center at 847.458.2334 for alternate fittings or assistance with this process.

1. Turn Off Water

Turn off the water shut-off valve. Drain the toilet tank completely by flushing the toilet. Unscrew the hose connected to the toilet tank.



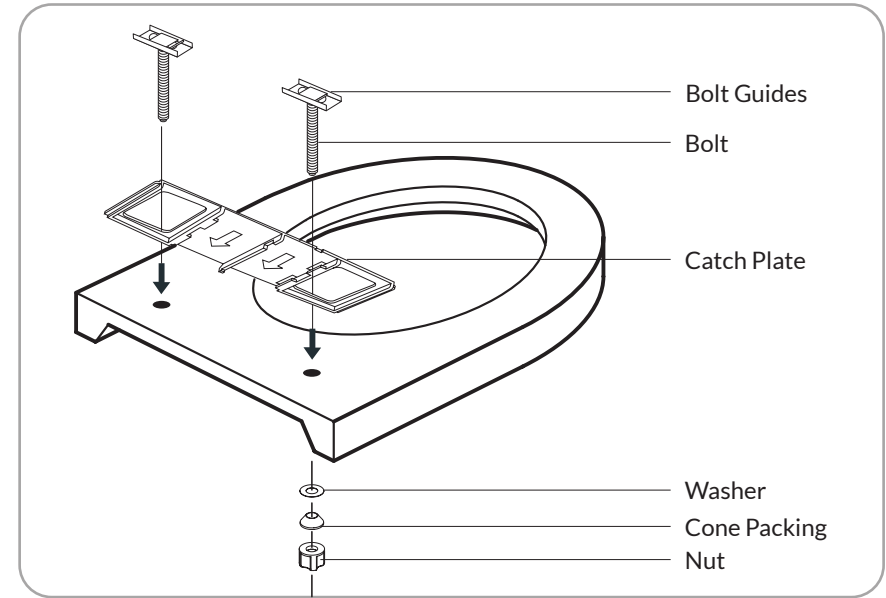
2. Remove Toilet Seat

Remove mounting bolts to release the existing toilet seat from the toilet.



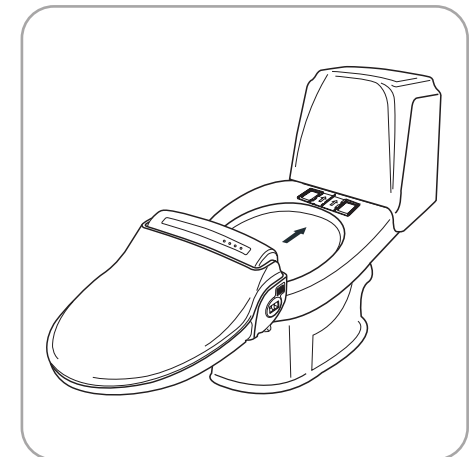
3. Install Catch Plate

Place the catch plate and guides over each mounting hole. Insert the mounting bolts through the guides, catch plate, and mounting holes. Slide the cone packing and washers onto the bolts and fasten to secure the bidet.



4. Install Your BB-1000

Slide the bidet seat all the way onto the catch plate until you hear a click.



5. Connect the Water Hoses

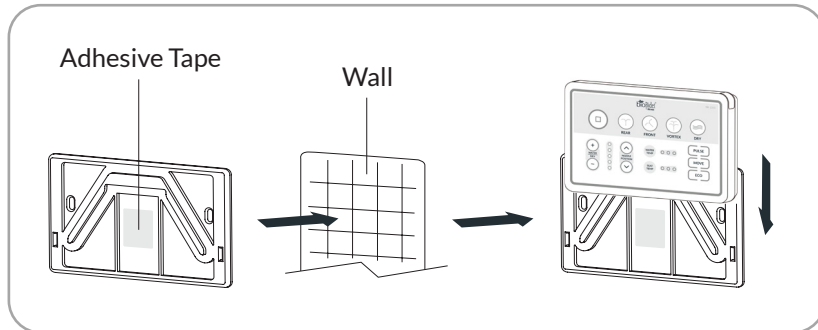
1. Install the t-valve onto the toilet tank. Ensure the rubber gasket is properly seated inside the t-valve.
2. Connect the provided toilet hose to the water shut-off valve and t-valve. You may also use your existing toilet hose.
3. Connect the bidet hose to the bidet seat and t-valve.
4. Open the water shut-off valve. Check for any leaking or dripping. Use a wrench to tighten any loose connections.

***Shut-off valves may vary. If supplied parts do not fit, please call 847.458.2334. Alternate fittings may be available upon request.**

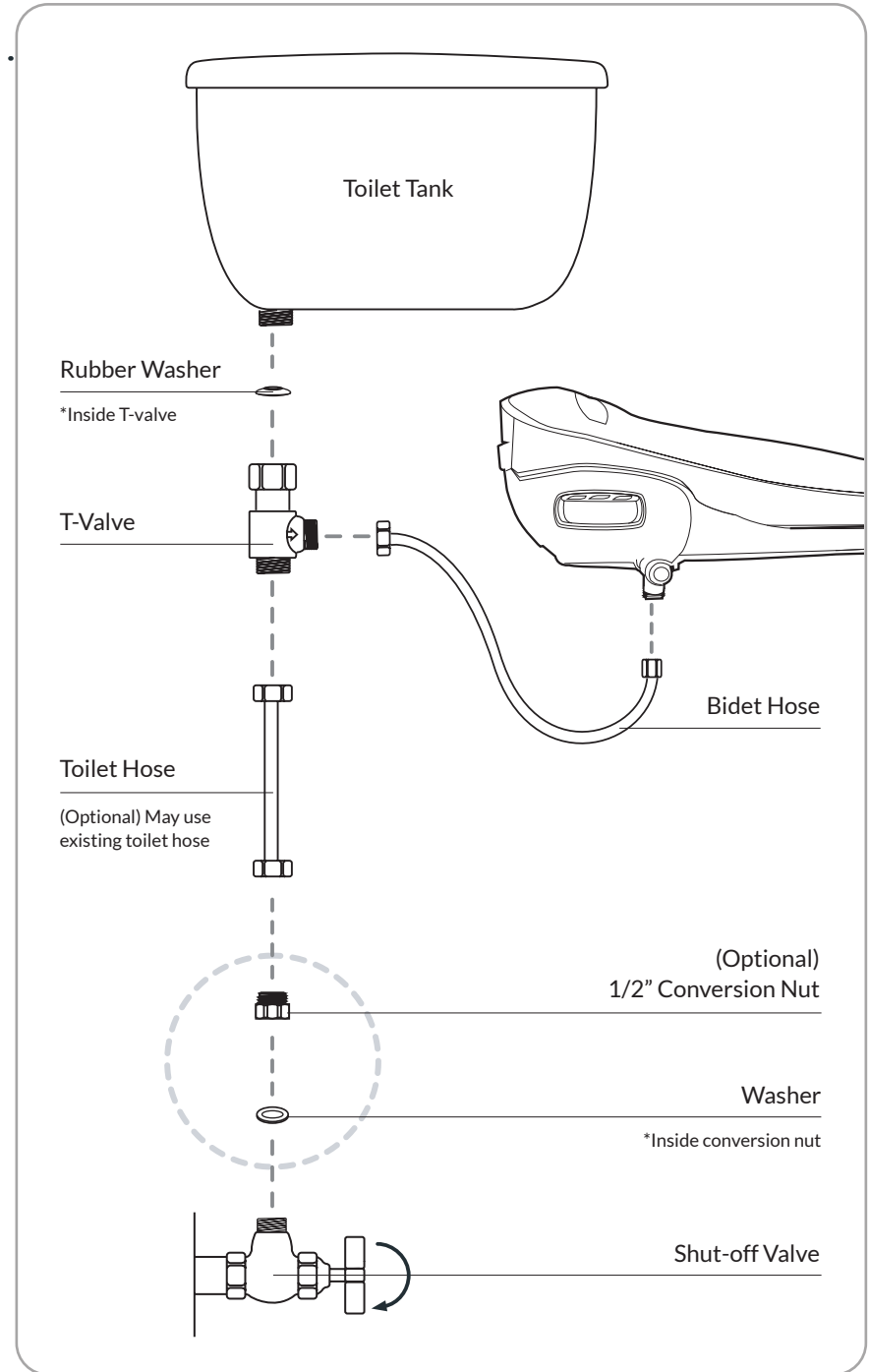
6. Plug It In!

Check for any water leaks. Plug the power cord into a dedicated 120V power outlet and the LED light will start flashing. Wait until the LED light stops flashing. Press the "Posterior" or "Feminine Wash" button to fill the tank.

7. Mounting the Remote



1. Remove the adhesive cover from the back of bracket and place the bracket where desired.
2. Insert supplied batteries and close the battery cover.
3. Ensure the batteries are inserted properly according to polarity.



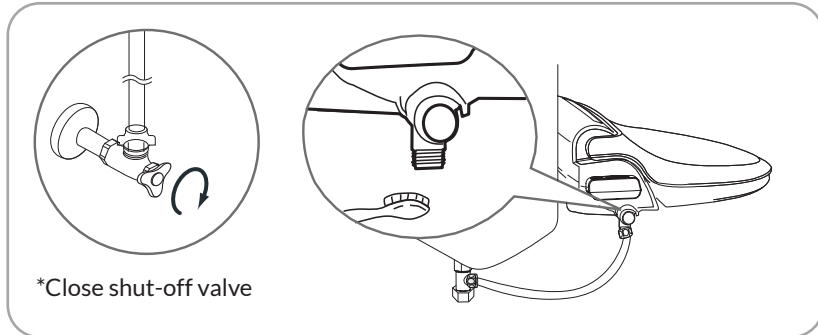
Cleaning the Nozzle

Hold the “Posterior Wash” button for 3 seconds without occupying the seat to extend the nozzle for manual cleaning. It can be cleaned using a toothbrush or soft cloth. After cleaning the nozzle, push the “Stop” button once again and the nozzle will retract.

Cleaning the BB-1000

- When you clean this product, do not use thinner, benzene or toilet bowl cleaner, as it may cause discoloration or damage.
- Disconnect the power cord and use a wet cloth when you clean this product.

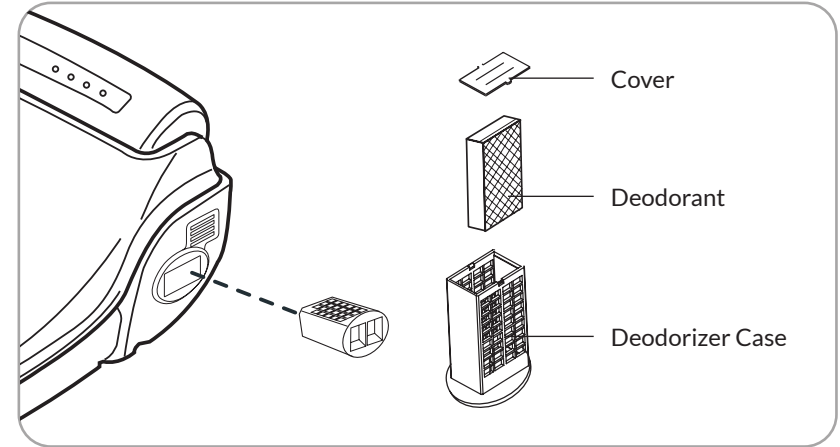
Cleaning the Strainer



This product will not operate properly if the strainer is clogged. Please clean the strainer regularly.

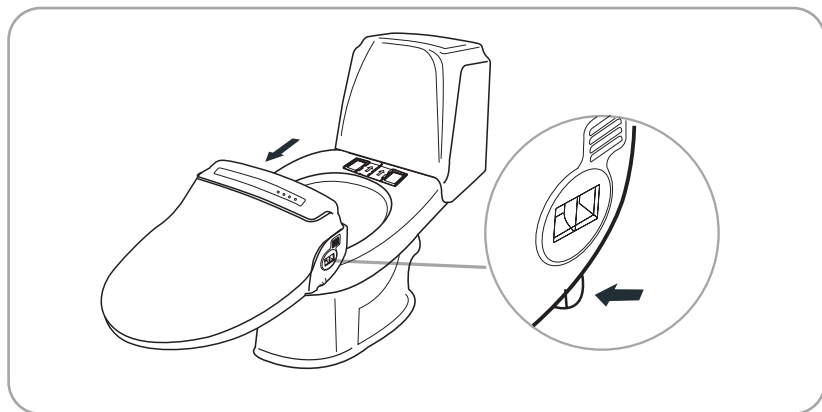
1. Unplug the power cord and close the water shut-off valve.
2. Unscrew the bidet hose from the bidet seat.
3. Clean the strainer with a small brush.
4. Re-connect the bidet hose and open the water shut-off valve.
5. Plug in the power cord.

Replacing the Deodorizer



Insert the deodorizer cartridge into the unit. Follow the diagram below to change the filter if necessary.

Removing the BB-1000

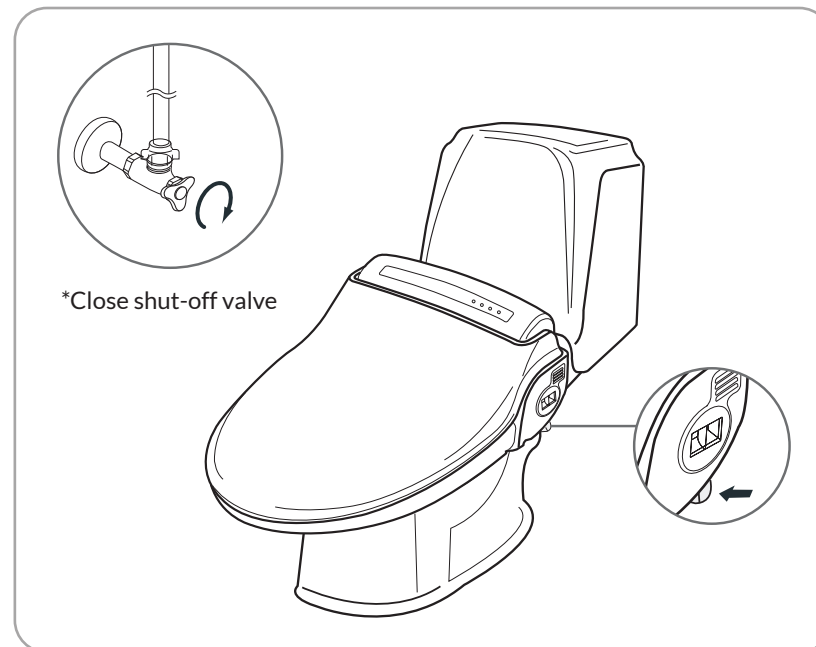


1. Disconnect the power plug.
2. Close water supply shut-off valve.
3. Drain the water from the bidet by holding the drain button as shown above.
4. Remove the bidet seat from toilet as illustrated.

Water Filter Maintenance

- Use of external water filters is only recommended in areas with known hard water issues. If a filter is used, it should be replaced every 3 months.
- This product is designed and intended for use exclusively with Bio Bidet Carbon & Iodine water filters. The purchase or use of any other water filter is not the responsibility of Bio Bidet Innovation LLC. As such, any use of non Carbon or Iodine water filters is prohibited and will void the warranty for those Bio Bidet products. Bio Bidet will not be responsible for any resulting damages or claims related to the misuse or distribution of non Bio Bidet Carbon & Iodine filters.

Draining the Warm Water Tank



If you do not intend to use this product for 14 days or longer, drain the water from this product's warm water tank.

Before draining, unplug the power cord and wait 30 minutes until the unit has cooled down. Do not insert your finger into the drain hole.

1. Disconnect the power plug.
2. Close the water shut-off valve.
3. Press the drain button until the water is completely drained from water tank.

Open the water shut-off valve to refill and resume usage.

Trouble	Cause	Solution
Water does not spray	<ul style="list-style-type: none"> The water tank is not filled. The shut-off valve is closed. 	<ul style="list-style-type: none"> Wait about one minute. Press the desired washing button once again. Open the shut-off valve
The unit is not operating	<ul style="list-style-type: none"> Disconnected the power cord. The seat is not occupied. Remote batteries are depleted. 	<ul style="list-style-type: none"> Connect the power cord. Check the circuit breaker. Activate the seat sensor. Replace the batteries.
Water is leaking	<ul style="list-style-type: none"> Check the water connections. 	<ul style="list-style-type: none"> If water is leaking from the main unit, call Bio Bidet customer support.
The water pressure is weak	<ul style="list-style-type: none"> The water pressure level is set to "Low". The strainer is clogged. 	<ul style="list-style-type: none"> Set the water pressure to "High" Clean the strainer.
The water is not warm	<ul style="list-style-type: none"> The water temperature is set to "Low" Continuous operation has depleted the supply of warm water. 	<ul style="list-style-type: none"> Set the water temperature to "High" and wait about 3 minutes.
The seat and dryer are not warm	<ul style="list-style-type: none"> The seat & dryer temperature is set to "Low" 	<ul style="list-style-type: none"> Set the seat & dryer temperature to "High"

Specifications		BB-1000
Power Rating		120Vac, 60Hz, 660W
Water Inlet Pressure		0.04 ~ 0.74MPa (0.4 ~ 7.5 kgf/cm)
Power Cord		4 feet
Wash Device	Posterior Wash	Max. 1.2l/min (Max. 0.32 GPM)
	Feminine Wash	Max.1.2l/min (Max. 0.32 GPM)
	Adjustable Water Pressure	5 Levels
	Warm Water Temp	Room Temp - Low, Normal, High
	Safety Devices	Thermal fuse, Thermal switch, Float switch
Heated Seat	Temperature	Room Temp - Low, Normal, High
	Heater	55 W
Inlet Water Temp.		37.4°F ~ 95°F (3°C~ 35°C)
Ambient Temp.		37.4°F ~ 104°F (3°C~ 40°C)
Dimensions	Elongated	W: 17.9 in / L: 20.6 in / H: 7.28 in
	Round	W: 17.9 in / L: 1.4 in / H: 7.28 in
Weight (kg)		11.4 lbs



WARRANTY SUMMARY

3

3 Year Limited Warranty

- 100% coverage on all parts and labor for the 1st year.
- 75% coverage on all parts and labor for the 2nd year.
- 50% coverage on all parts and labor for the 3rd year.



At-Home Repair Instructions Available
(Limited to certain products)



Service Center Repair Option*

**Warranty does not cover inbound shipping.*



Customer Support Available via Phone, Chat, & Email.

847.458.2334
www.biobidet.com
support@biobidet.com

3 YEAR LIMITED WARRANTY

Bio Bidet Innovation LLC warranty its product to be free from manufacturing defects under normal use and service for a period of three (3) years from original date of purchase.

This warranty is extended only to the ORIGINAL PURCHASER.

- Bio Bidet Innovation LLC’s obligations under this warranty are limited to repair or replacement, at Bio Bidet Innovation LLC’s option, of products or parts found to be defective, provided that such products were properly installed and used in accordance with instructions.
- Bio Bidet Innovation LLC reserves the right to make such inspections as may be necessary in order to determine the cause of the defect.
- Bio Bidet Innovation LLC will not charge for labor or parts in connection with warranty repairs or replacements.
- Bio Bidet Innovation LLC is not responsible for the cost of removal, return and/or re-installation of products.

This warranty does not apply to the following items:

- Damage or loss sustained in a natural calamity such as fire, earthquake, flood, thunder electrical storm, etc.
- Damage or loss resulting from any unreasonable use, misuse, abuse, negligence, or improper maintenance of the product.
- Damage or loss resulting from removal, improper repair, or modification of the product.
- Damage or loss resulting from sediments or foreign matter contained in a water system.
- Damage or loss resulting from improper installation or from installation of a unit in a harsh and/or hazardous environment.

This warranty gives you specific legal rights. You may have other rights which vary from state to state. To obtain warranty repair service under this warranty, you must take the product or deliver it prepaid to a Bio Bidet Innovation LLC service facility together with a letter stating the problem, or contact a Bio Bidet Innovation LLC distributor or products service contractor, or write directly to Bio Bidet Innovation LLC, 7900 Illinois Rte 31, Crystal Lake, IL 60014.

This written warranty is the only warranty made by Bio Bidet Innovation LLC. Repair or replacement as provided under this warranty shall be the exclusive remedy available to the purchaser. Bio Bidet Innovation LLC shall not be responsible for loss of the product or for other incidental, special or consequential damages or expenses incurred by the purchaser, or for labor or other costs due to installation or removal, or costs of repairs by others, or for any other expense not specifically stated above. Except to the extent prohibited by applicable law, any implied warranties, including that of merchantability or fitness for use, are expressly limited to the duration this warranty. Some states do not allow limitations on how long an implied warranty lasts, or the exclusion or limitation of incidental or consequential damages, so the above limitation and exclusion may not apply to you.

BIO BIDET INNOVATION LLC

7900 S RT 31 Crystal Lake IL 60014
T: 847.458.2334
F: 847.854.1296

support@biobidet.com
www.biobidet.com

12.13.22

THANK YOU!



Customer Support

7900 S Route 31 Crystal Lake, IL 60014

T: 847.458.2334

U.S. TOLL FREE: 877.339.5214

support@biobidet.com

www.biobidet.com