

SPEC SHEET



Requires Power



BB-2000 BIDET TOILET SEAT

Available in elongated & round sizes.

Replaces your current toilet seat and connects to existing plumbing.



Warm Water



Heated Seat



Warm Air Dryer



Deodorizer



Stainless Steel Nozzle



Night Light



Vortex Wash



Whisper Close



Wireless Remote

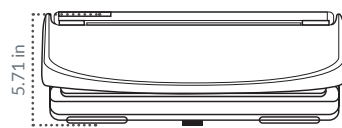
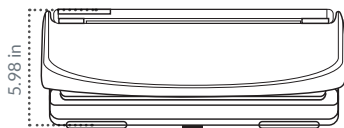
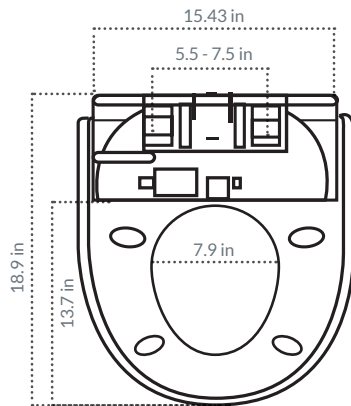
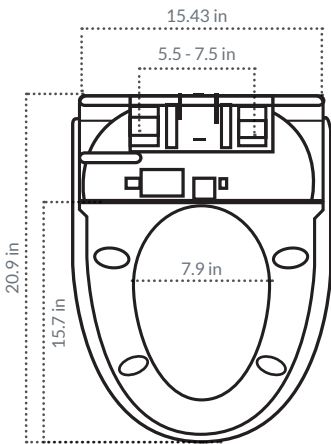


Seat Sensor



Elongated

Round



Contact us for more information

biobidet.com
847.458.2334

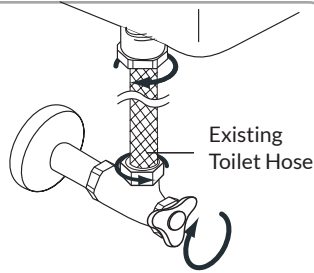
INSTALLATION

Includes all installation components
Recommended Tools: Phillips screwdriver & Wrench

bioBidet®
by BEMIS

1. Turn Off Water

Turn off the water shut-off valve. Drain the toilet tank completely by flushing the toilet. Unscrew the hose connected to the toilet tank.



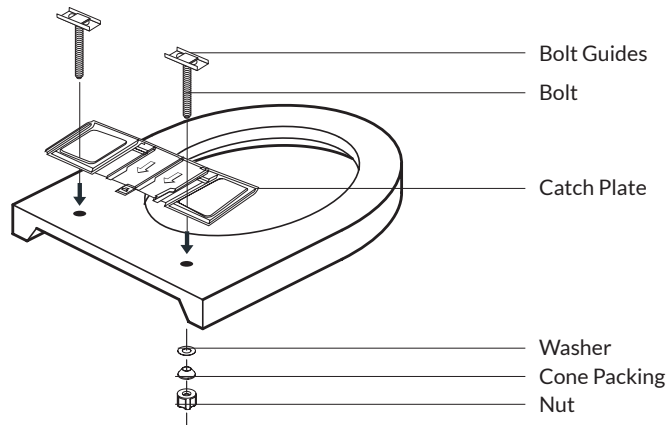
2. Remove Toilet Seat

Remove mounting bolts to release the existing toilet seat from the toilet.



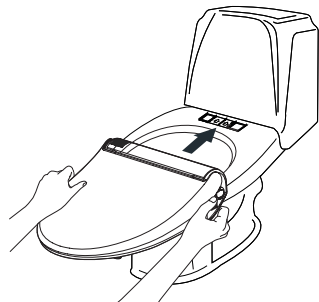
3. Install Catch Plate

Place the catch plate and bolt guides over the mounting holes. Insert the mounting bolts through the guides, catch plate, and mounting holes. Slide the cone packing and washers onto the bolts and fasten to secure the catch plate on the toilet.



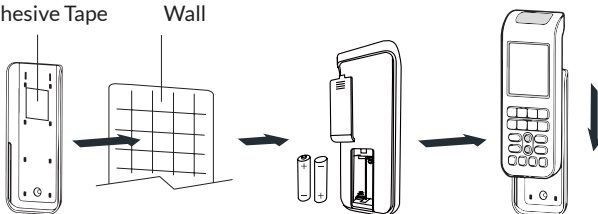
4. Install Your BB-2000

Slide the bidet seat all the way onto the catch plate until you hear a click.



6. Mounting the Remote

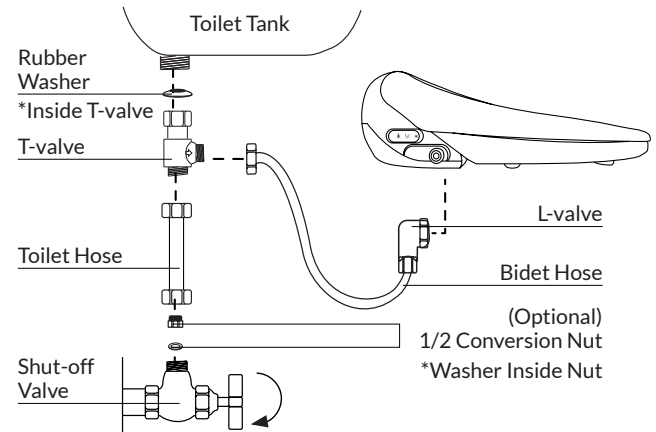
Adhesive Tape Wall



Remove the adhesive cover from the back of bracket and place the bracket where desired.

Insert the supplied batteries (AAA) and close the battery cover. Ensure the batteries are inserted properly according to polarity.

5. Connect the Water Hoses



Install the t-valve on to the toilet tank. Ensure the rubber gasket is properly seated inside the t-valve.

Connect the provided toilet hose to the water shut-off valve and t-valve. You may also use your existing toilet hose.

Connect the bidet hose to the bidet seat and l-valve. Open the water shut-off valve. Check for any leaking or dripping. Use a wrench to tighten any loose parts.

Plug the power cord into a 120V power outlet.