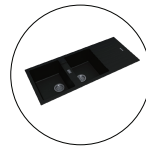


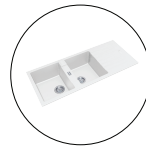


## KITCHEN SINKS

### White Granite Quartz Stone Kitchen Sink Double Bowls Drainboard Top/Undermount

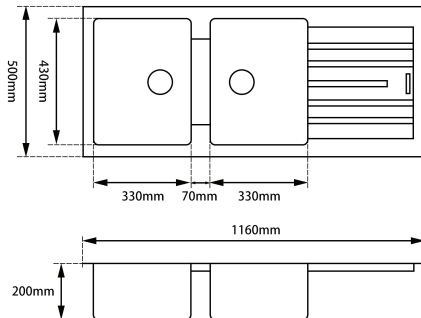


Cod. **DA-OX1150.KS**  
1160 x 500 x 200mm, Black



Cod. **DA-WH1150.KS**  
1160 x 500 x 200mm, White

#### · TECHNICAL DRAWING ·



#### · SPECIFICATIONS ·

Eco-friendly, lead free and food grade

Material: High quality granite quartz (NOT THE CHEAP ONE), making the sink unbeatably resilient, extremely durable, scratch resistant, virtually unbreakable and acid resistant

Oilproof, waterproof, mould-proof, moisture-proof

Perfect moulding throughout, not like other black sinks easily scratched with light & dark spots

Easy to clean

Overall size: 1160x500mm, Bowl size: 330x430mm



For detailed information, please see our website [www.dellarte.us](http://www.dellarte.us)

Legal disclaimer: The details provided by this technical file have an informational purpose, thus no contractual value. To obtain further information about the materials and the installation, please contact one of our sales advisors. DELL'ARTE Pty Ltd. reserves the right to modify or delete any information regarding its products. Weights, measurements and colours may be subject to small variations.

The copyright of this Fact Sheet, all content, graphic design and codes belongs to DELL'ARTE Pty Ltd. and therefore, reproduction, distribution, public communication, transformation or any other activity that can be done with the contents or even quoting the sources, without written consent is prohibited by DELL'ARTE Pty Ltd. All trade names, trademarks and distinctive signs of any kind on this Fact Sheet are property of their owners and are protected by law.