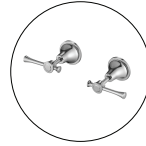


FAUCET

Chrome Montpellier Wall Tops



Cod. **DA-MON017**
Wall Tops, Electroplated Chrome



Cod. **DA-MON017BK**
Wall Tops, Electroplated Matte Black

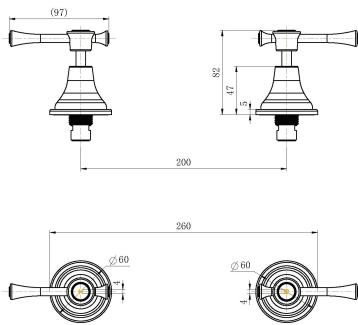


Cod. **DA-MON017BM**
Wall Tops, PVD Brushed Bronze



Cod. **DA-MON017BN**
Wall Tops, PVD Brushed Nickel

· TECHNICAL DRAWING ·



· SPECIFICATIONS ·

Model Number	MON017
Range	Montpellier
Type	Wall Tops
Features	35mm Cartridge
Flow Rate L / Min	N/A
WELS Registration Number	N/A
Water Rating	N/A
Colour	Electroplated Chrome
	15 Year Cartridge Replacement
Warranty	10 Year Product Replacement
	1 Year Labour & Parts