



FAUCET

Brushed Bronze Montpellier Shepherd's Crook High Rise Basin Mixer



Cod. **DA-MON002-1**
Shepherd's Crook High Rise Basin Mixer,
Electroplated Chrome



Cod. **DA-MON002-1BK**
Shepherd's Crook High Rise Basin Mixer,
Electroplated Matte Black

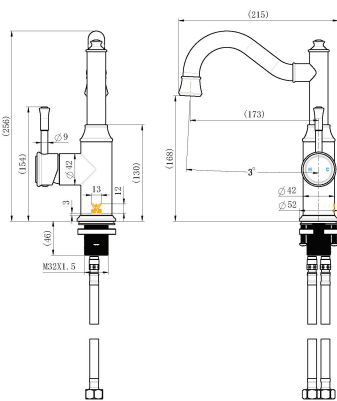


Cod. **DA-MON002-1BM**
Shepherd's Crook High Rise Basin Mixer,
PVD Brushed Bronze



Cod. **DA-MON002-1BN**
Shepherd's Crook High Rise Basin Mixer,
PVD Brushed Nickel

· TECHNICAL DRAWING ·



· SPECIFICATIONS ·

Model Number	MON002-1BM
Range	Montpellier
Type	Shepherd's Crook High Rise Basin Mixer
Features	35mm Cartridge
Flow Rate L / Min	6.0
WELS Registration Number	T36258 (V)
Water Rating	5
Colour	PVD Brushed Bronze
	15 Year Cartridge Replacement
Warranty	10 Year Product Replacement
	1 Year Labour & Parts



For detailed information, please see our website www.dellarte.us

Legal disclaimer: The details provided by this technical file have an informational purpose, thus no contractual value. To obtain further information about the materials and the installation, please contact one of our sales advisors. DELL'ARTE Pty Ltd. reserves the right to modify or delete any information regarding its products. Weights, measurements and colours may be subject to small variations.

The copyright of this Fact Sheet, all content, graphic design and codes belongs to DELL'ARTE Pty Ltd. and therefore, reproduction, distribution, public communication, transformation or any other activity that can be done with the contents or even quoting the sources, without written consent is prohibited by DELL'ARTE Pty Ltd. All trade names, trademarks and distinctive signs of any kind on this Fact Sheet are property of their owners and are protected by law.