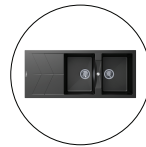
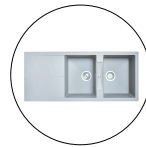


KITCHEN SINKS

Carysil White Double Bowl Drainer Board Granite Kitchen Sink Top/Flush/Under Mount



Cod. **DA-Jazz D-200 Black**
1160 x 500 x 210mm, White

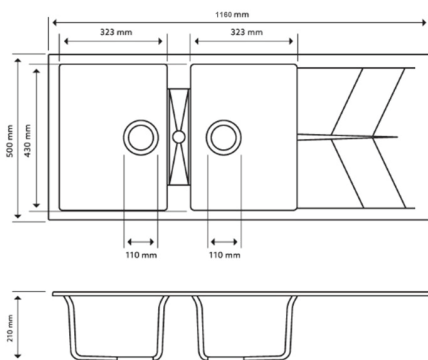


Cod. **DA-Jazz D-200 Grey**
1160 x 500 x 210mm, Grey



Cod. **DA-Jazz D-200 White**
1160 x 500 x 210mm, Black

· TECHNICAL DRAWING ·



· SPECIFICATIONS ·

German engineered, Lifetime Warranty!

Overall Dimensions(LxWxH): 1160*500*210mm

Bowl sizes(LxW): 323*430*210mm

With Overflow

Round corner for easy clean

High temperature resistance

Good stain resistance, non-stick oil, easy to clean

Environmentally Safe & Green Low-Carbon Material

Top/Flush/Under-mount installation