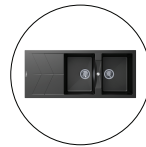
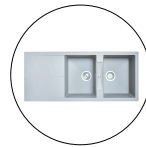


## KITCHEN SINKS

### Carysil Black Double Bowl Drainer Board Granite Kitchen Sink Top/Flush/Under Mount



Cod. **DA-Jazz D-200 Black**  
1160 x 500 x 210mm, White

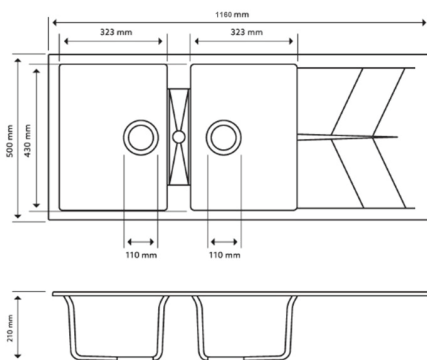


Cod. **DA-Jazz D-200 Grey**  
1160 x 500 x 210mm, Grey



Cod. **DA-Jazz D-200 White**  
1160 x 500 x 210mm, Black

#### · TECHNICAL DRAWING ·



#### · SPECIFICATIONS ·

German engineered, Lifetime Warranty!

Overall Dimensions(LxWxH): 1160\*500\*210mm

Bowl sizes(LxW): 323\*430\*210mm

With Overflow

Round corner for easy clean

High temperature resistance

Good stain resistance, non-stick oil, easy to clean

Environmentally Safe & Green Low-Carbon Material

Top/Flush/Under-mount installation