

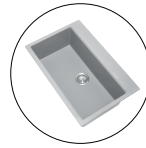


KITCHEN SINKS

Carysil Grey Single Bowl Granite Stone Kitchen Sink Top/Under Mount



Cod. **DA-Waltz 780 black**
780 x 510 x 220mm, Black

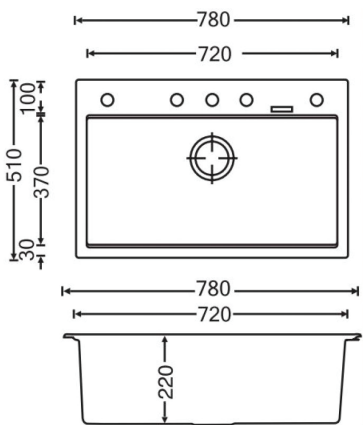


Cod. **DA-Waltz 780 grey**
780 x 510 x 220mm, Grey



Cod. **DA-Waltz 780 white**
780 x 510 x 220mm, White

· TECHNICAL DRAWING ·



· SPECIFICATIONS ·

German engineered, Lifetime Warranty!

Overall Dimensions(LxWxH): 780*510*220mm

Bowl sizes(LxW): 720*370*220mm

Round corner for easy clean

High temperature resistance

Good stain resistance, non-stick oil, easy to clean

Scratch, acid and alkali resistance

Unique anti-bacterial technology



For detailed information, please see our website www.dellarte.us

Legal disclaimer: The details provided by this technical file have an informational purpose, thus no contractual value. To obtain further information about the materials and the installation, please contact one of our sales advisors. DELL'ARTE Pty Ltd. reserves the right to modify or delete any information regarding its products. Weights, measurements and colours may be subject to small variations.

The copyright of this Fact Sheet, all content, graphic design and codes belongs to DELL'ARTE Pty Ltd. and therefore, reproduction, distribution, public communication, transformation or any other activity that can be done with the contents or even quoting the sources, without written consent is prohibited by DELL'ARTE Pty Ltd. All trade names, trademarks and distinctive signs of any kind on this Fact Sheet are property of their owners and are protected by law.