



## SHOWER

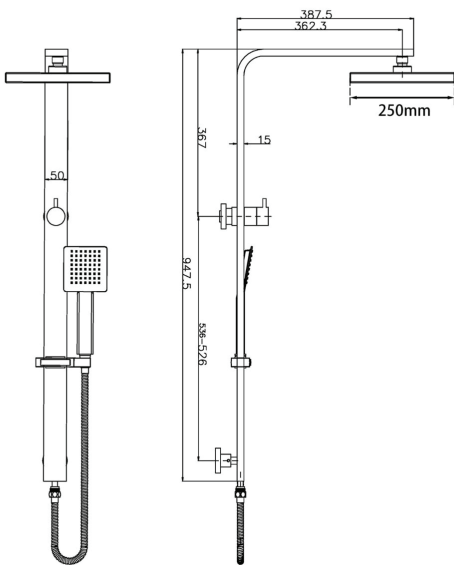
### 10" Square Black Wide Rail Shower Station Top Water Inlet with 3 Functions Handheld



Cod. **DA-OX2150.SH.N+OX0002.SH+OX-S8.HHS**

Shower Station, Black

#### · TECHNICAL DRAWING ·



#### · SPECIFICATIONS ·

Matt black finish  
Stainless steel 10 inch shower head(250mm x 250mm x 2mm), comes with 360° swivel ball joint adjustable in all directions  
Solid brass wide shower rail, thicken tube for firm installation  
ABS Handheld Shower Head(3 functions): spray,massage,spray+massage  
Mesh filter inside the shower head,blocks all debris in water  
Solid brass diverter & top water inlet, easy to switch between rain shower head and handheld spray  
G 1/2" female end TOP water inlet connection to the wall  
Solid brass holder for handheld spray, can be adjusted to all required angles  
Solid brass wall bracket bottom mounted  
1.5m stainless steel water hose



For detailed information, please see our website [www.dellarte.us](http://www.dellarte.us)

Legal disclaimer: The details provided by this technical file have an informational purpose, thus no contractual value. To obtain further information about the materials and the installation, please contact one of our sales advisors. DELL'ARTE Pty Ltd. reserves the right to modify or delete any information regarding its products. Weights, measurements and colours may be subject to small variations.

The copyright of this Fact Sheet, all content, graphic design and codes belongs to DELL'ARTE Pty Ltd. and therefore, reproduction, distribution, public communication, transformation or any other activity that can be done with the contents or even quoting the sources, without written consent is prohibited by DELL'ARTE Pty Ltd. All trade names, trademarks and distinctive signs of any kind on this Fact Sheet are property of their owners and are protected by law.