



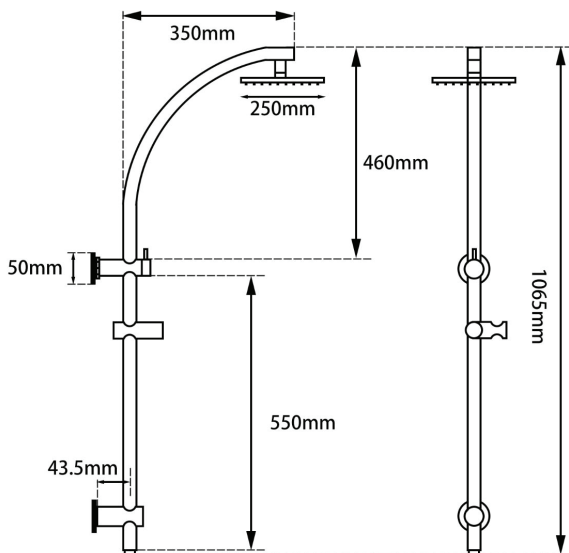
SHOWER

10'' Round Black Shower Station Top Inlet



Cod. **DA-OX2128.SH.N+OX0007.SH+OX-R11.HHS**
Shower Station, Black

· TECHNICAL DRAWING ·



· SPECIFICATIONS ·

Solid Brass Shower Rail
10 inches Stainless Steel Top Shower Head
Handheld Shower Spray
Matte Black Finish, fit for AU Standard
The wall elbow is flexible, fits for according to your demand
Top water inlet with diverter
WELS Star rating: 3 Star, 9L/M
WELS reg no.:S15335
15 Years Warranty



For detailed information, please see our website www.dellarte.us

Legal disclaimer: The details provided by this technical file have an informational purpose, thus no contractual value. To obtain further information about the materials and the installation, please contact one of our sales advisors. DELL'ARTE Pty Ltd. reserves the right to modify or delete any information regarding its products. Weights, measurements and colours may be subject to small variations.

The copyright of this Fact Sheet, all content, graphic design and codes belongs to DELL'ARTE Pty Ltd. and therefore, reproduction, distribution, public communication, transformation or any other activity that can be done with the contents or even quoting the sources, without written consent is prohibited by DELL'ARTE Pty Ltd. All trade names, trademarks and distinctive signs of any kind on this Fact Sheet are property of their owners and are protected by law.