



LED MIRROR

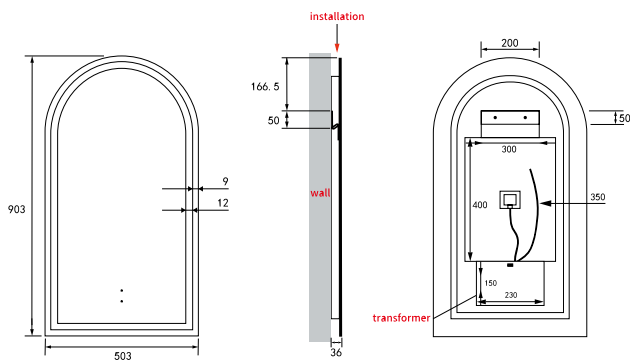
Canterbury Frame



- Brushed Bronze PVD
- Brushed Gold PVD
- Brushed Nickel PVD
- Gun Metal PVD
- Matte White
- Matte Black



· TECHNICAL DRAWING ·



· SPECIFICATIONS ·

- Premium build quality
- Led lighting
- Touch free sensor on/off light
- Build in demister
- Fog resistance and super clarity
- Backlit
- Three colour dimmable colour
- Auto cut-off in 90 mins



For detailed information, please see our website www.dellarte.com.au

Legal disclaimer: The details provided by this file have an informational purpose, thus no contractual value. To obtain further information about the material and the installation, please contact one of our sales advisors. DELL'ARTE Pty Ltd. reserves the right to modify or delete any information regarding its products. Weights, measurements and colours may be subject to small variations.

The copyright of this Fact Sheet, all content, graphic design and codes belongs to DELL'ARTE Pty Ltd. and therefore, reproduction, distribution, public communication, law. transformation or any other activity that can be done with the contents or even quoting the sources, without written consent is prohibited by DELL'ARTE Pty Ltd. All trade names, trademarks and distinctive signs of any kind on this Fact Sheet are property of their owners and are protected by law.