



SQUARE FREESTANDING BATH MIXER WITH HANDHELD SHOWER



Cod. **DA-CH0117.BS**
SQUARE CHROME FREESTANDING BATH MIXER WITH HANDHELD SHOWER



Cod. **DA-OX0117.BS**
SQUARE BLACK FREESTANDING BATH MIXER WITH HANDHELD SHOWER

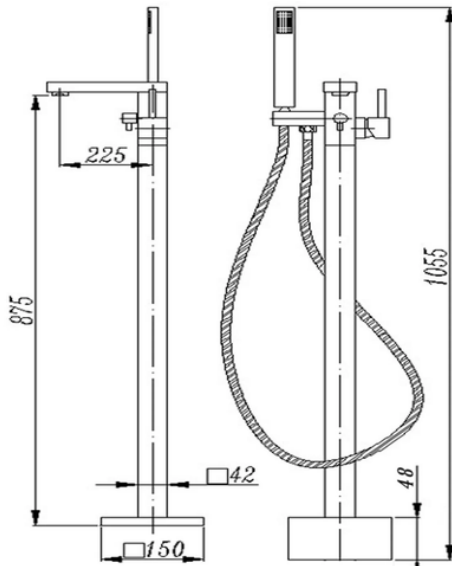


Cod. **DA-BU0117.BS**
SQUARE BRUSHED NICKEL FREESTANDING BATH MIXER WITH HANDHELD SHOWER



Cod. **DA-GM0117.BS**
SQUARE GUN METAL GREY FREESTANDING BATH MIXER WITH HANDHELD SHOWER

• TECHNICAL DRAWING •



• SPECIFICATIONS •

- Freestanding Chrome Handheld & Spout Mixer Tap Set
- Made of durable solid brass
- Chrome finished
- Australian Standard and Watermark Certified
- Ceramic disc cartridge for smooth & long-lasting operation
- Bottom Cover Plate height: 48mm
- Floor mounted
- Easy to install
- Note: With embedded box, which should be installed before flooring
- Australian standard, WELS approved
- WELS Star Rating: Not Star Rated, 6L/M
- WELS Licence No.: 1633
- WELS Registration No.: S13534 (V)
- Watermark No.: WMK25708
- Packaged Content:
- 1 x Chrome Handheld & Spout Mixer Tap Set
- Installation accessories
- 15 years warranty



For detailed information, please see our website www.dellarte.com.au

Legal disclaimer: The details provided by this file have an informational purpose, thus no contractual value. To obtain further information about the material and the installation, please contact one of our sales advisors. DELL'ARTE Pty Ltd. reserves the right to modify or delete any information regarding its products. Weights, measurements and colours may be subject to small variations.

The copyright of this Fact Sheet, all content, graphic design and codes belongs to DELL'ARTE Pty Ltd. and therefore, reproduction, distribution, public communication, law. transformation or any other activity that can be done with the contents or even quoting the sources, without written consent is prohibited by DELL'ARTE Pty Ltd. All trade names, trademarks and distinctive signs of any kind on this Fact Sheet are property of their owners and are protected by law.