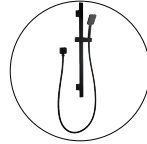


SHOWER

3 Functions Square Chrome Hand held Shower Set With Rail



Cod. **DA-OX2145.SH.N+OX-S8.HHS**

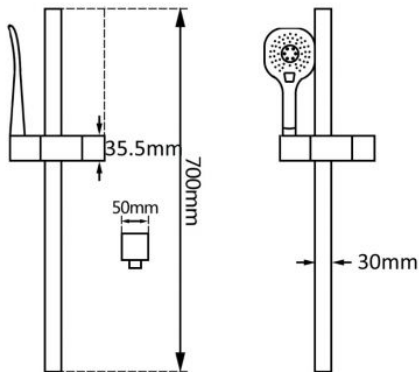
Hand held Shower Set With Rail, Matte Black



Cod. **DA-CH2145.SH.N+CH-S8.HHS**

Hand held Shower Set With Rail, Chrome

· TECHNICAL DRAWING ·



· SPECIFICATIONS ·

Quality ABS handheld shower spray(3 functions):

massage,rainfall,massage&rainfall

Durable & anti-rust

1.5m PVC water hose

Durable stainless steel shower rail, up & down sliding rail

Wall mounted, G 1/2" female end solid brass water inlet

100% system tested

Comply with Australian standard